

Workshop Manual

Kodiaq 2017 ➤

Kodiaq 2019 ➤

General body repairs, interior

Edition 04.2018

ŠKODA



Protected by copyright. Copying for private or commercial purposes, in part or in whole, is not permitted unless authorised by ŠKODA AUTO A. S. ŠKODA AUTO A. S. does not guarantee or accept any liability with respect to the correctness of information in this document. Copyright by ŠKODA AUTO A. S. ©

List of Workshop Manual Repair Groups

Repair Group

- 68 - Interior equipment
- 69 - Passenger protection
- 70 - Trim, insulation
- 72 - Seat frames
- 74 - Seat - padding, covers

ŠKODA



Technical information should always be available to the foremen and mechanics, because their careful and constant adherence to the instructions is essential to ensure vehicle road-worthiness and safety. In addition, the normal basic safety precautions for working on motor vehicles must, as a matter of course, be observed.

with respect to the correctness of information in this document. Copyright by ŠKODA AUTO A. S. ©

All rights reserved.
No reproduction without prior agreement from publisher.



Contents

68 - Interior equipment	1
1 Storage areas/covers	1
1.1 Removing and installing the steering column trim panel	1
1.2 Removing and installing the steering column trim panel	1
1.3 Removing and installing the glove compartment	2
2 Equipment	5
2.1 Summary of components - sun visor	5
2.2 Removing and installing the sun visor	5
2.3 Removing and installing the recessed handles of the roof	6
3 Centre console	8
3.1 Summary of components - Centre console	8
3.2 Removing and installing centre console trim in front footwell	9
3.3 Removing and installing centre console	10
3.4 Removing and installing the bracket for the centre console	12
4 Front armrest	13
4.1 Removing and installing front armrest	13
4.2 Removing and installing the top part of the armrest	13
5 Interior rear-view mirror	15
5.1 Summary of components - Interior rear-view mirror	15
5.2 Removing and installing the interior rear-view mirror	17
69 - Passenger protection	23
1 Seat belts	23
1.1 Overview of fitting location - Seat belts and fixing points	23
1.2 Summary of components - three-point seatbelt front	26
1.3 Summary of components - rear outer three-point seat belt	27
1.4 Summary of components - rear middle three-point seat belt	28
1.5 Removing and installing the front three-point seat belt	29
1.6 Removing and installing the rear three-point seat belt	31
1.7 Removing and installing front belt guide	33
1.8 Removing and installing the front seat belt buckle	33
1.9 Removing and installing the rear seat belt buckle	35
2 Inspect seat belts	37
2.1 Test sequence	37
2.2 Special instructions for the belt tensioner	40
2.3 Storage, transport and disposal of airbag, belt tensioner and battery separation units (pyrotechnical components)	40
3 Airbag system	41
3.1 Installation location overview - airbag system	41
3.2 General safety instructions	43
3.3 Additional safety instructions for head airbag	44
3.4 Storage, transport and disposal of airbag, belt tensioner and battery separation units (pyrotechnical components)	45
3.5 Exchanging pyrotechnical, mechanical and electrical components of the restraint system after an accident	45
4 Airbag control unit	47
4.1 Removing and installing the airbag control unit J234	47
4.2 After replacement, configure the control unit	48
5 Airbag on driver side	49
5.1 Summary of components - Airbag on driver side	49
5.2 Removing and installing airbag on driver side with igniter	50
5.3 Removing and installing restoring ring with slip ring (coil spring)	51



6	Airbag front passenger side	52
6.1	Summary of components - Airbag on front passenger side	52
6.2	Removing and installing airbag unit on front passenger side with igniter	52
6.3	Removing and installing key-operated switch for deactivating the front passenger side airbag	54
7	Side airbags	55
7.1	Summary of components - front side airbag	55
7.2	Summary of components - side airbag rear	56
7.3	Removing and installing front side airbag with igniter	56
7.4	Removing and installing rear side airbag with igniter	58
8	Head airbags	60
8.1	Summary of components - head airbag	60
8.2	Removing and installing head airbag with igniter	61
9	Knee airbags	65
9.1	Summary of components - knee airbag	65
9.2	Removing and installing airbag unit with igniter	66
10	Crash sensors for airbag	68
10.1	Removing and installing the crash sensor for front airbag on driver side G283	68
10.2	Removing and installing the crash sensor for side airbag G179 / G180	69
10.3	Removing and installing the crash sensor for side airbag rear G256 / G257	71
10.4	Removing and installing seat occupancy detection	72
70	Trim, insulation	74
1	Front door trim panels	74
1.1	Removing and installing the front door trim panel	74
2	Rear door trim panels	76
2.1	Removing and installing the rear door trim panel	76
3	Dash panel	78
3.1	Summary of components - dash panel	78
3.2	Removing and installing the decorative trim of the dash panel	78
3.3	Removing and installing the dash panel	82
3.4	Removing and installing dash panel vents in the dash panel	87
4	Cross member for dash panel	89
4.1	Summary of components - cross member for dash panel	89
4.2	Removing and installing the cross member for the dash panel	89
4.3	Removing and installing crash strut	93
5	Interior trim panels	95
5.1	Removing and installing A-pillar trim panel	95
5.2	Removing and installing B-pillar trim panel	98
5.3	Removing and installing trim panel of pillar C	101
5.4	Removing and installing D-pillar trim panel	102
5.5	Removing and installing door sill panel	103
5.6	Removing and installing foot rest	104
6	Luggage compartment trim panels	106
6.1	Summary of components - luggage compartment side trim panel	106
6.2	Summary of components - bottom trim panel for tailgate	107
6.3	Summary of components - top trim panel for tailgate	108
6.4	Removing and installing the bottom trim panel for the tailgate	109
6.5	Removing and installing the top trim panel for the tailgate	110
6.6	Removing and installing luggage compartment side trim panel	111
6.7	Removing and installing lock carrier trim	113
7	Roof trim panels	115
7.1	Summary of components - Moulded headliner	115
7.2	Removing and installing moulded headliner	115



72 - Seat frames	118
1 Front seats	118
1.1 Removing and installing front seat	118
1.2 Removing and installing the handle for the seat height adjuster	120
1.3 Removing and installing seat height adjustment	122
1.4 Removing and installing the seat trim panel on the tunnel side	123
1.5 Removing and installing lumbar support adjustment	124
1.6 Removing and installing front lumbar support frame	124
1.7 Removing and installing the front backrest	126
1.8 Removing and installing the headrest	126
1.9 Removing and installing the headrest guide	126
2 Rear seats	128
2.1 Summary of components - Seat bench / individual seats	128
2.2 Removing and installing the rear seat bench / individual seats	130
2.3 Removing and installing backrests	135
74 - Seat - padding, covers	138
1 Covers and upholstery of the front seats	138
1.1 Removing and installing cover and seat upholstery	138
1.2 Removing and installing cover and backrest upholstery	140
1.3 Summary of components - seat heating element	144
1.4 Summary of components - backrest heating element	145
2 Rear covers and seat upholstery	146
2.1 Removing and installing the cover and the upholstery	146
2.2 Removing and installing the seat heating element	156
2.3 Removing and installing the backrest heating element	156



Protected by copyright. Copying for private or commercial purposes, in part or in whole, is not permitted unless authorised by ŠKODA AUTO A. S. ŠKODA AUTO A. S. does not guarantee or accept any liability with respect to the correctness of information in this document. Copyright by ŠKODA AUTO A. S. ©



ŠKODA



Protected by copyright. Copying for private or commercial purposes, in part or in whole, is not permitted unless authorised by ŠKODA AUTO A. S. ŠKODA AUTO A. S. does not guarantee or accept any liability with respect to the correctness of information in this document. Copyright by ŠKODA AUTO A. S. ©

68 – Interior equipment

1 Storage areas/covers

(SRL001224; Edition 04.2018)

⇒ [“1.1 Removing and installing the steering column trim panel”, page 1](#)

⇒ [“1.2 Removing and installing the steering column trim panel”, page 1](#)

⇒ [“1.3 Removing and installing the glove compartment”, page 2](#)

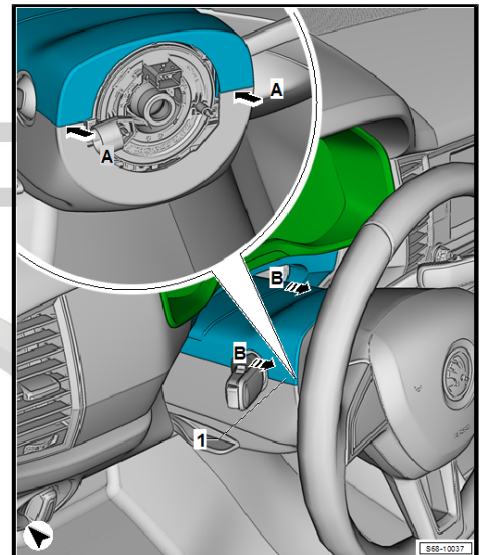
1.1 Removing and installing the steering column trim panel

Removing

- Slacken the fixing lever of the steering wheel adjustment.
- Slide out and swivel downwards the steering column.
- Loosen the steering column trim panel, e.g. with disassembly wedge -3409- , from the supports in direction of arrow -A-.
- Loosen trim panel from the supports on the bottom trim panel - arrows -B-.
- Start by unclipping the lower section of the frame under the dash panel insert.
- Swivel out the upper section of the frame from the pins of the decorative trim of the dash panel to the front and pull out.
- Remove the upper section of the steering column trim panel upwards.

Installing

- Installation is carried out in the reverse order.



1.2 Removing and installing the steering column trim panel

Removing

- Remove steering wheel ⇒ Chassis, axles, steering; Rep. gr. 48 ; Steering wheel; removing and installing steering wheel .

- Remove top steering column trim panel

⇒ [“1.1 Removing and installing the steering column trim panel”, page 1](#) .

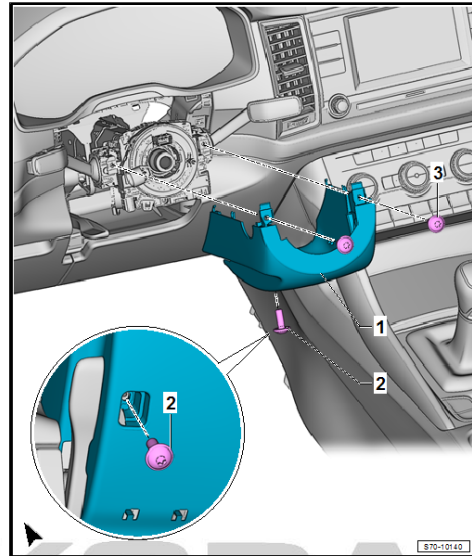
... purposes, in part or in whole, is not permitted unless authorised by SKODA AUTO A. S. SKODA AUTO A. S. does not guarantee or accept any liability with respect to the correctness of information in this document. Copyright by SKODA AUTO A. S. ©



- Unscrew the screws -2- from the bottom section of the steering column trim panel -1- (1.5 Nm).
- Loosen the bottom part of the steering column trim panel -1- from the supports.

Installing

- Installation is carried out in the reverse order.



1.3 Removing and installing the glove compartment

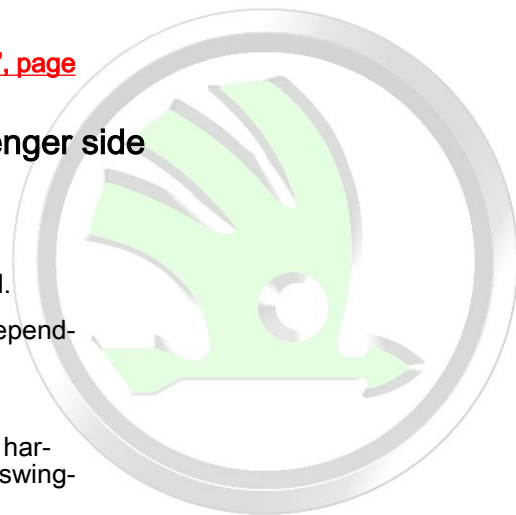
⇒ ["1.3.1 Glove compartment on front passenger side", page 2](#)

⇒ ["1.3.2 Glove compartment on front passenger side - top", page 4](#)

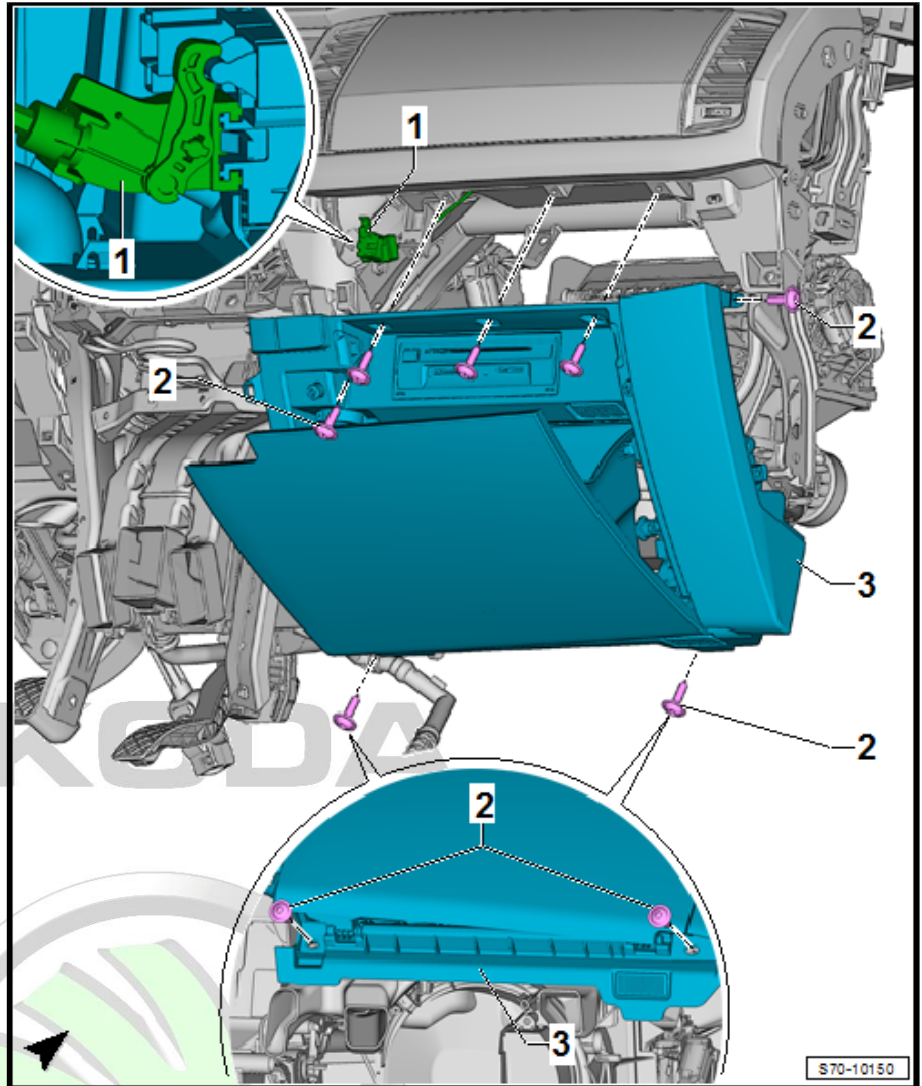
1.3.1 Glove compartment on front passenger side

Removing

- Remove screws -2- (1,5 Nm).
- Detach the glove compartment -3- from the dash panel.
- Detach the control for the top glove compartment -1- (depending on vehicle equipment).
- Detach intake hose for AC glove compartment.
- Swing out the glove compartment (the electrical wiring harness of the Infotainment control unit only allows partial swinging).
- Cut the electrical harness wiring harness of the Infotainment control unit attached to the dash panel cross member.
- Remove infotainment control unit ⇒ Communication; Rep. gr. 91 ; Infotainment system; Removing and installing control unit for information electronics 1 - J794- .
- Detach the plug from the glove compartment light.
- Disconnect other plugs, if applicable (depending upon vehicle equipment).
- Remove glove compartment from vehicle.



Copyright: Copying for private or commercial purposes, in part or in whole, is not permitted. Copyright by ŠKODA AUTO A. S. ŠKODA AUTO A. S. does not guarantee or accept any liability with respect to the correctness of information in this document. Copyright by ŠKODA AUTO A. S. ©



Installing

- Installation is carried out in the reverse order.

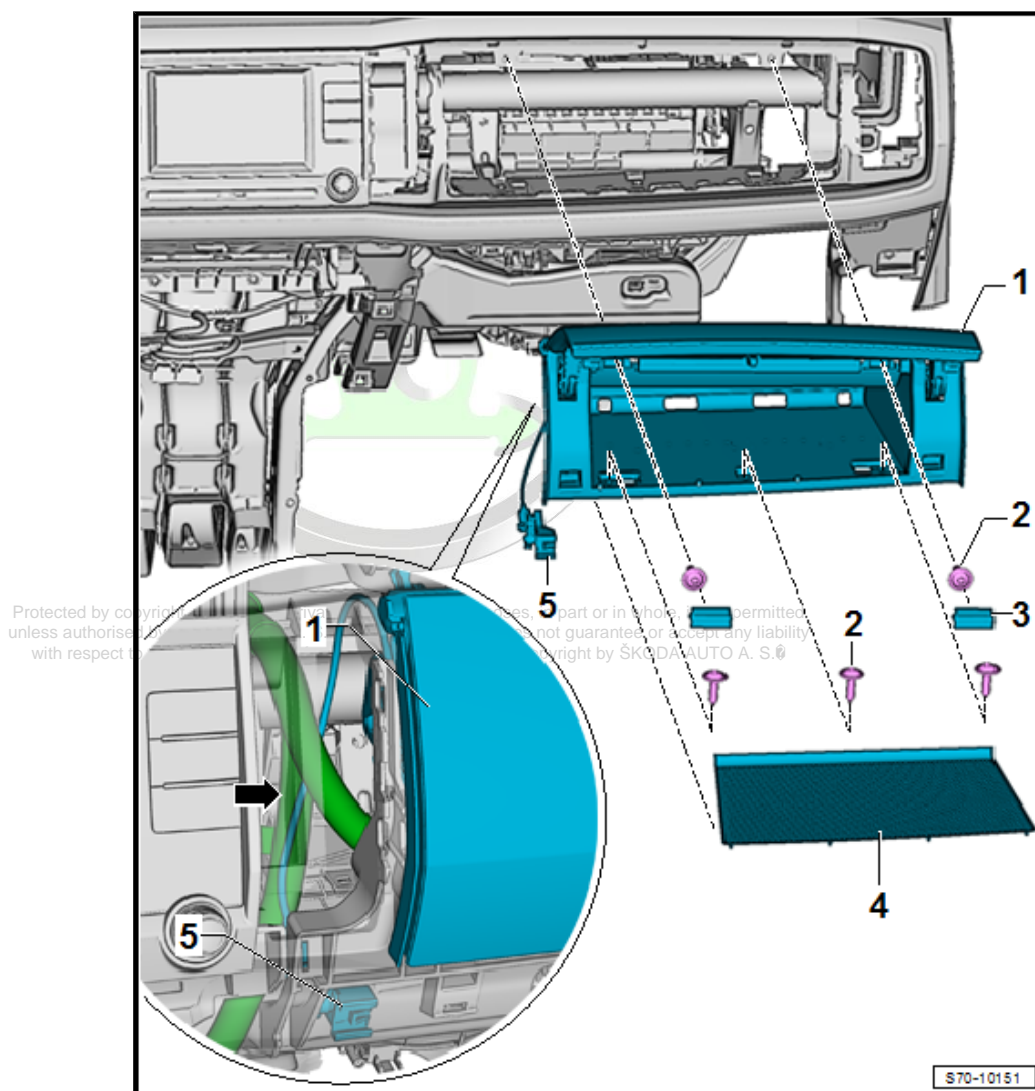
i Note

Before the installation, check all the fixing elements for damage, if necessary replace.

Protected by copyright. Copying for private or commercial purposes, in part or in whole, is not permitted unless authorised by ŠKODA AUTO A. S. ŠKODA AUTO A. S. does not guarantee or accept any liability with respect to the correctness of information in this document. Copyright by ŠKODA AUTO A. S. ©

1.3.2 Glove compartment on front passenger side - top

Removing



- Remove vents
=> ["3.4 Removing and installing dash panel vents in the dash panel", page 87](#) .
- Remove damping -4-.
- Remove caps -3-.
- Unscrew screws -2-.
- Disconnect opening mechanism for glove compartment on front passenger side.
- Pull glove compartment upwards out of the dash panel.

Installing

- Installation is carried out in the reverse order.

2 Equipment

⇒ [“2.1 Summary of components - sun visor”, page 5](#)

⇒ [“2.2 Removing and installing the sun visor”, page 5](#)

⇒ [“2.3 Removing and installing the recessed handles of the roof”, page 6](#)

2.1 Summary of components - sun visor

1 - Mounting bracket for right sun visor

Removing

- Unclip sun visor (Pos. 3) from mounting bracket.
- Push out the cap (Pos. 2) thereby unlocking the expansion clips of the mounting bracket.
- Swivel the mounting bracket out of the roof reinforcement.

Installing

- Installation is carried out in the reverse order.

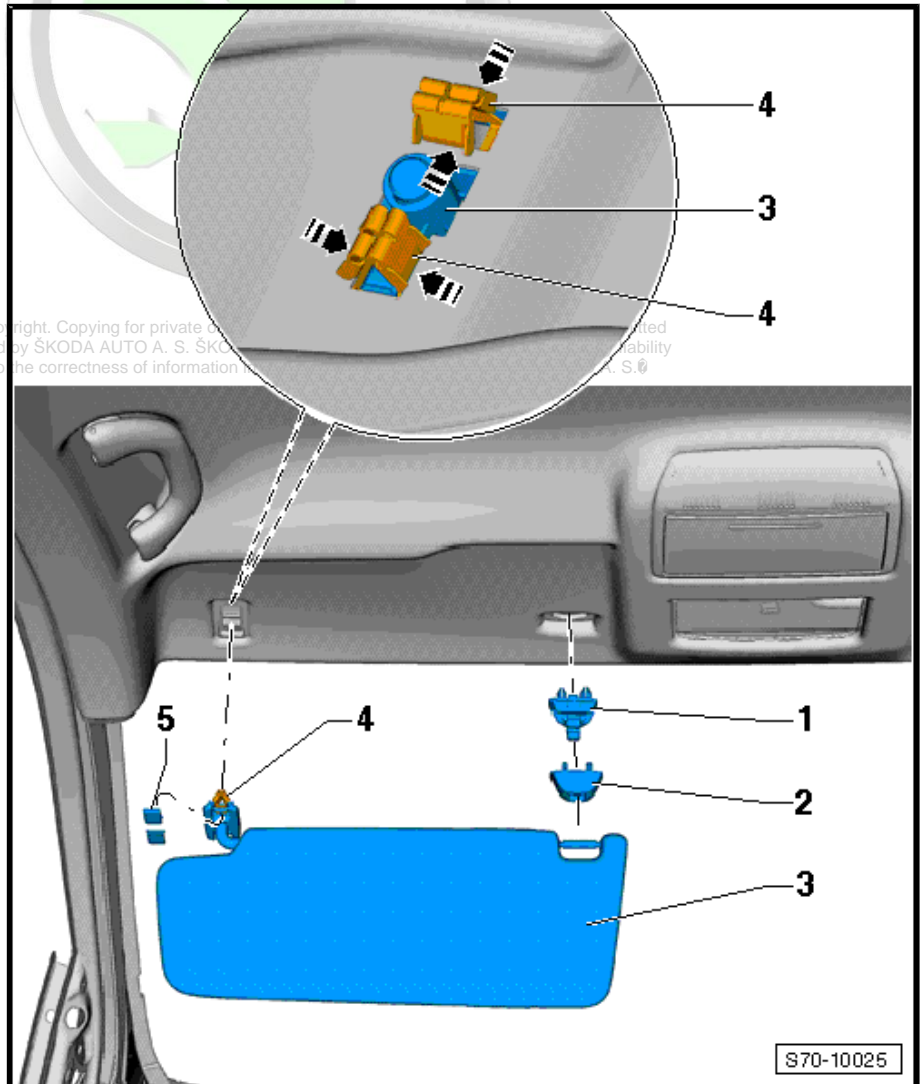
2 - Disassemble cap for mounting bracket for sun visor

3 - Sun visor

4 - Securing clip for mounting bracket for sun visor left

Removing and installing
 ⇒ [“2.2 Removing and installing the sun visor”, page 5](#) .

5 - Caps for mounting bracket for sun visor left



2.2 Removing and installing the sun visor

Removing

- Fold sun visor forwards.

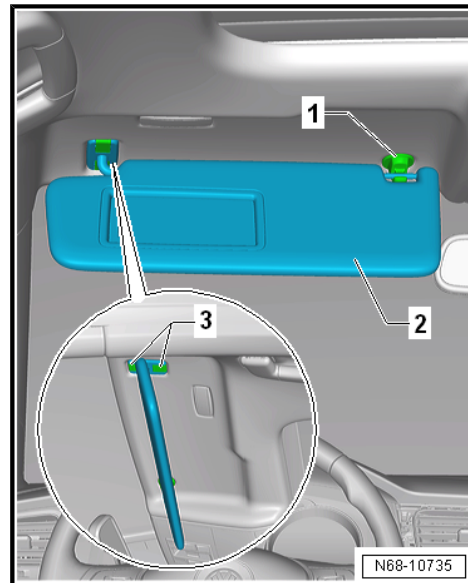
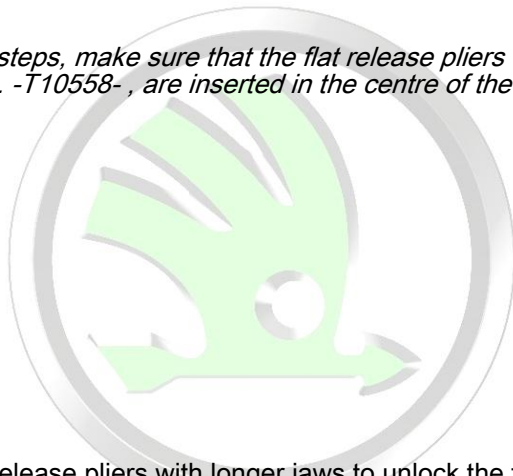


- Unhook sun visor -2- from centre retainers -1-.
- Unclip cover caps -3- on sun visor retainer.



Note

In the following steps, make sure that the flat release pliers with longer jaws, e.g. -T10558- , are inserted in the centre of the clip.



- Use the flat release pliers with longer jaws to unlock the front clip -3- on the sun visor retainer -1- from the support in the body.
- Keep the sun visor taut to avoid the clip locking again unintentionally.
- Use the release pliers to unlock the rear clip -3- on the sun visor retainer -1- from the support in the body.
- Carefully take the sun visor -2- with the sun visor retainer -3- downwards out of the support in the body and remove the transport retainer.

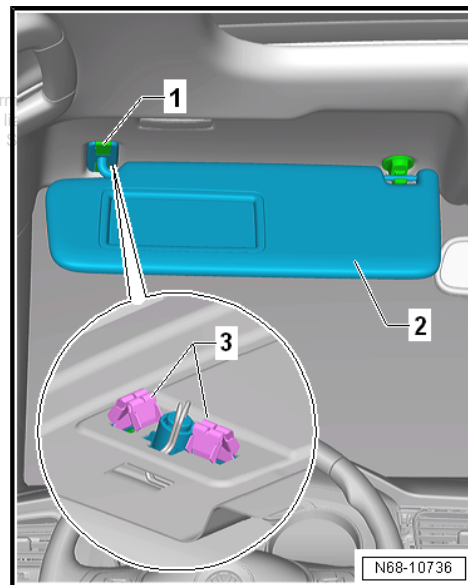
Installing



Note

Before installation, check the clip connections for damage and replace if necessary.

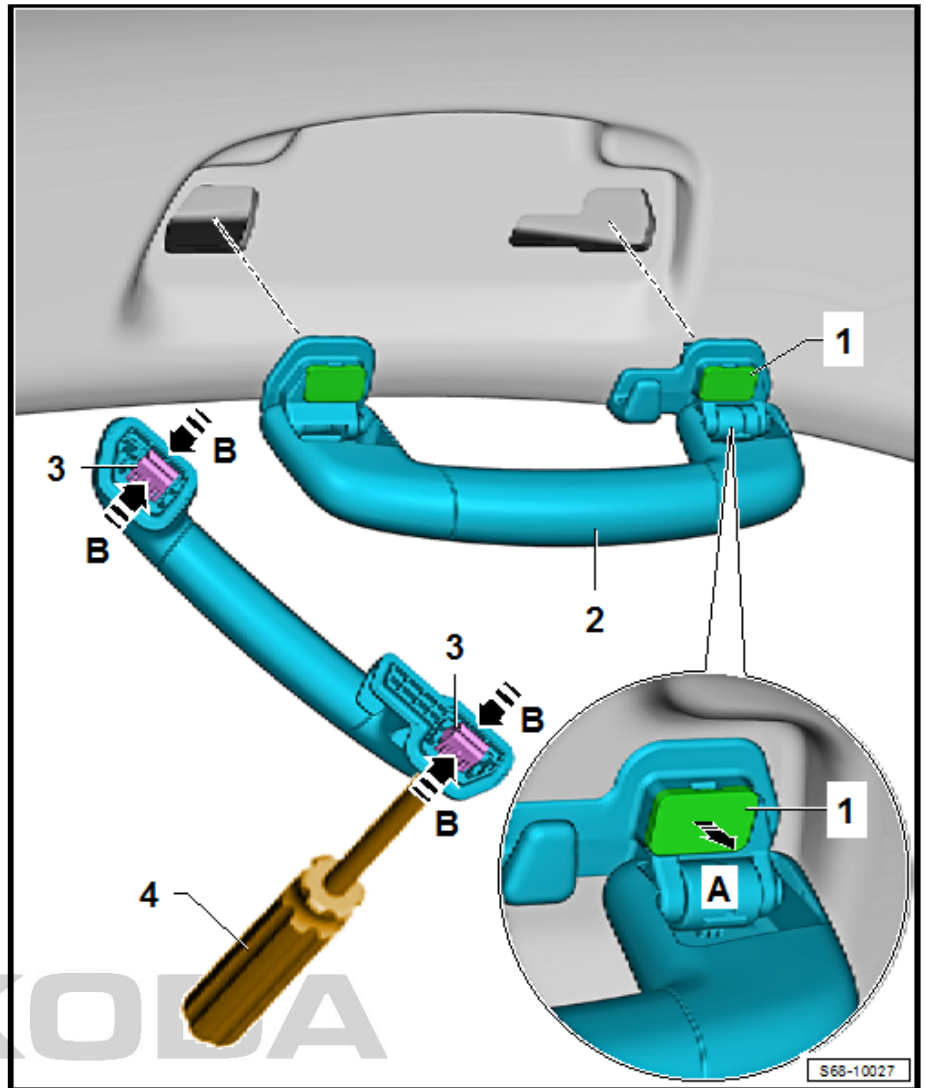
- Clip the front clips on the sun visor retainer into the support in the body.
- Clip the rear clips on the sun visor retainer into the support in the body.
- Check that both clips are fully engaged in the body.



2.3 Removing and installing the recessed handles of the roof

Removing

- Fold down the recessed handle -2- and remove both spreader clips -1- in direction of arrow -A-.
- Release clamps - 3 - with tool - 4 -, e.g. T10517 , -T10518- , -T10518A- , or pliers -T10558- -arrows B- and detach recessed handle from roof reinforcement.



Installing

- Slide recessed handle -2- into the openings provided in the roof profile.
- The expansion clamps -3- must lock in the opening.
- Press spreader clips -1- into the expansion clamps -3-.

Note

- ◆ *Ensure that the spreader clips -1- are fully pressed in.*
- ◆ *The expansion clamps -3- spread apart when pressed into the spreader clips -1-.*

Protected by copyright. Copying for private or commercial purposes, in part or in whole, is not permitted unless authorised by ŠKODA AUTO A. S. ŠKODA AUTO A. S. does not guarantee or accept any liability with respect to the correctness of information in this document. Copyright by ŠKODA AUTO A. S. ©



3 Centre console

⇒ [“3.1 Summary of components - Centre console”, page 8](#)

⇒ [“3.2 Removing and installing centre console trim in front footwell”, page 9](#)

⇒ [“3.3 Removing and installing centre console”, page 10](#)

⇒ [“3.4 Removing and installing the bracket for the centre console”, page 12](#)

3.1 Summary of components - Centre console

1 - Centre console

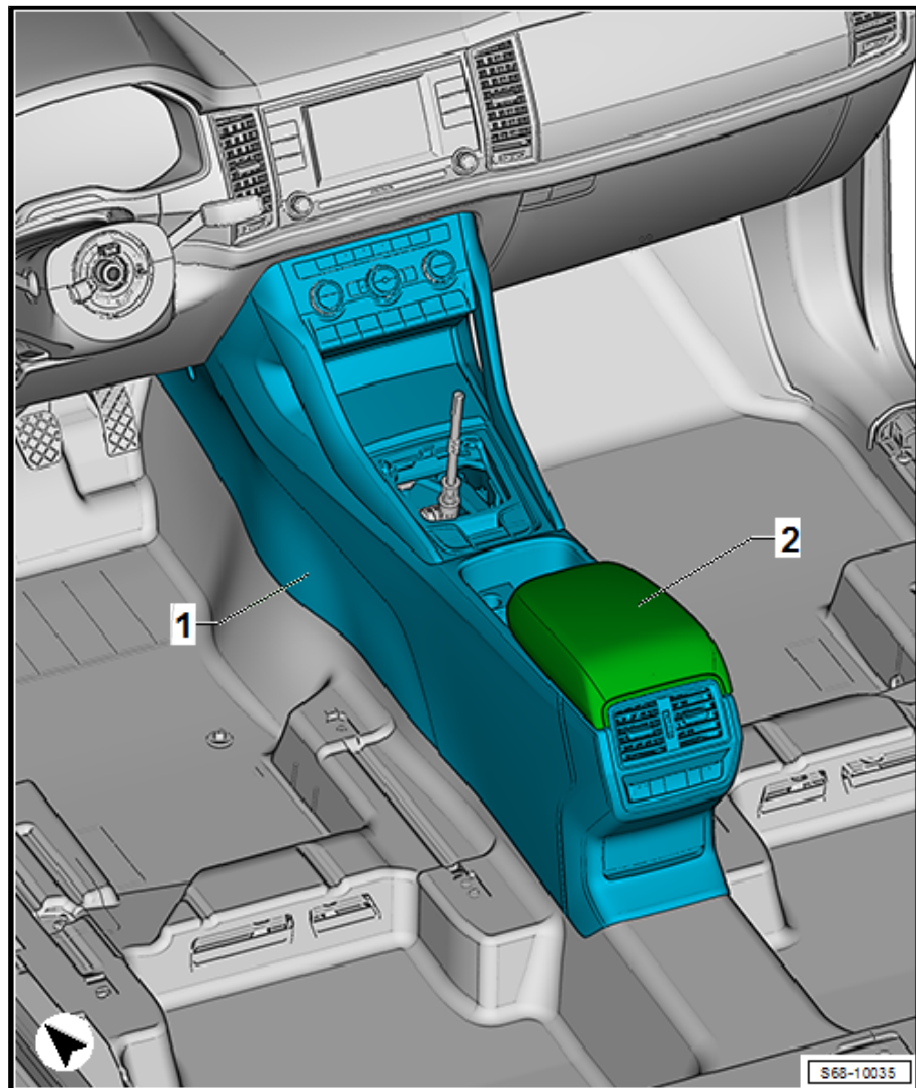
Removing and installing

⇒ [“3.3 Removing and installing centre console”, page 10](#) .

2 - Armrest

Removing and installing

⇒ [“4.1 Removing and installing front armrest”, page 13](#) .



3.2 Removing and installing centre console trim in front footwell

1 - Trim panel centre console

Removing

- Unscrew screw -2-.
- Slide trim out of the centre console.

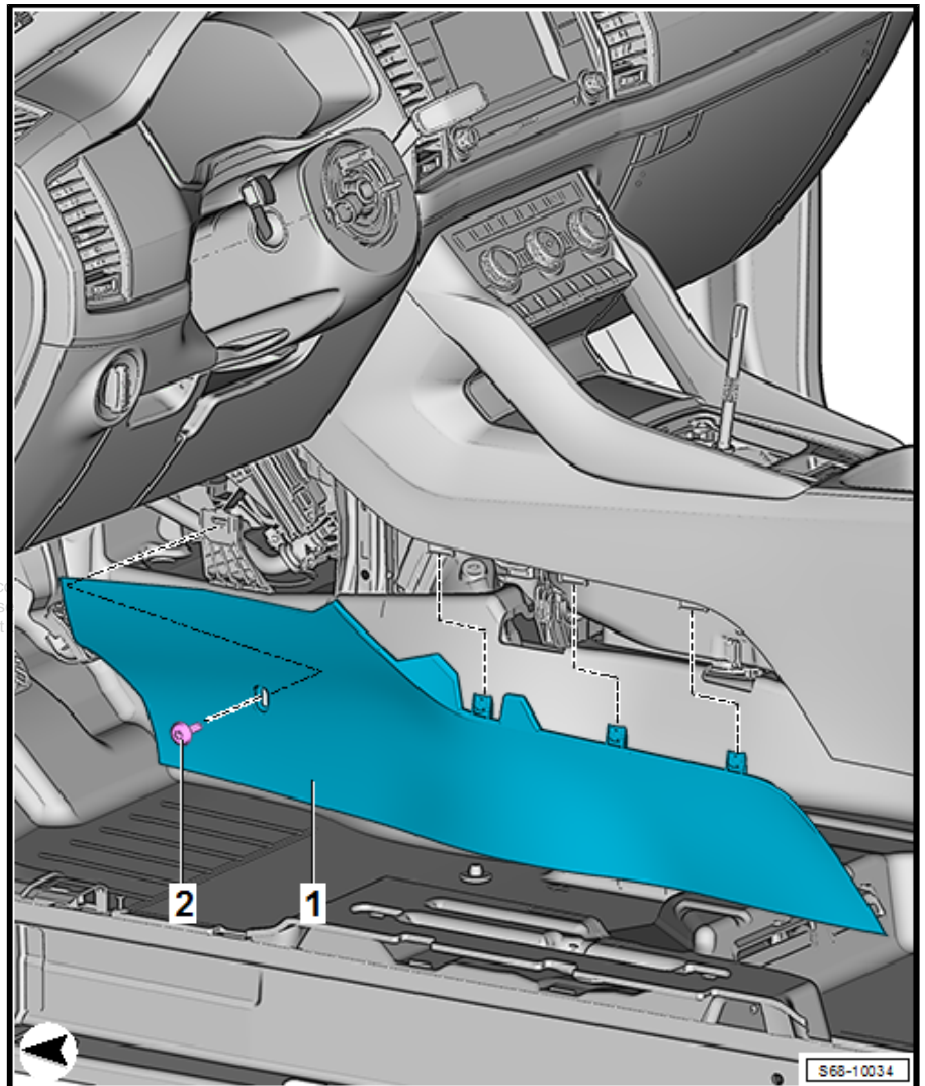
Installing

- Installation is carried out in the reverse order.

2 - Screw

- Tightening torque: 1.5 Nm.

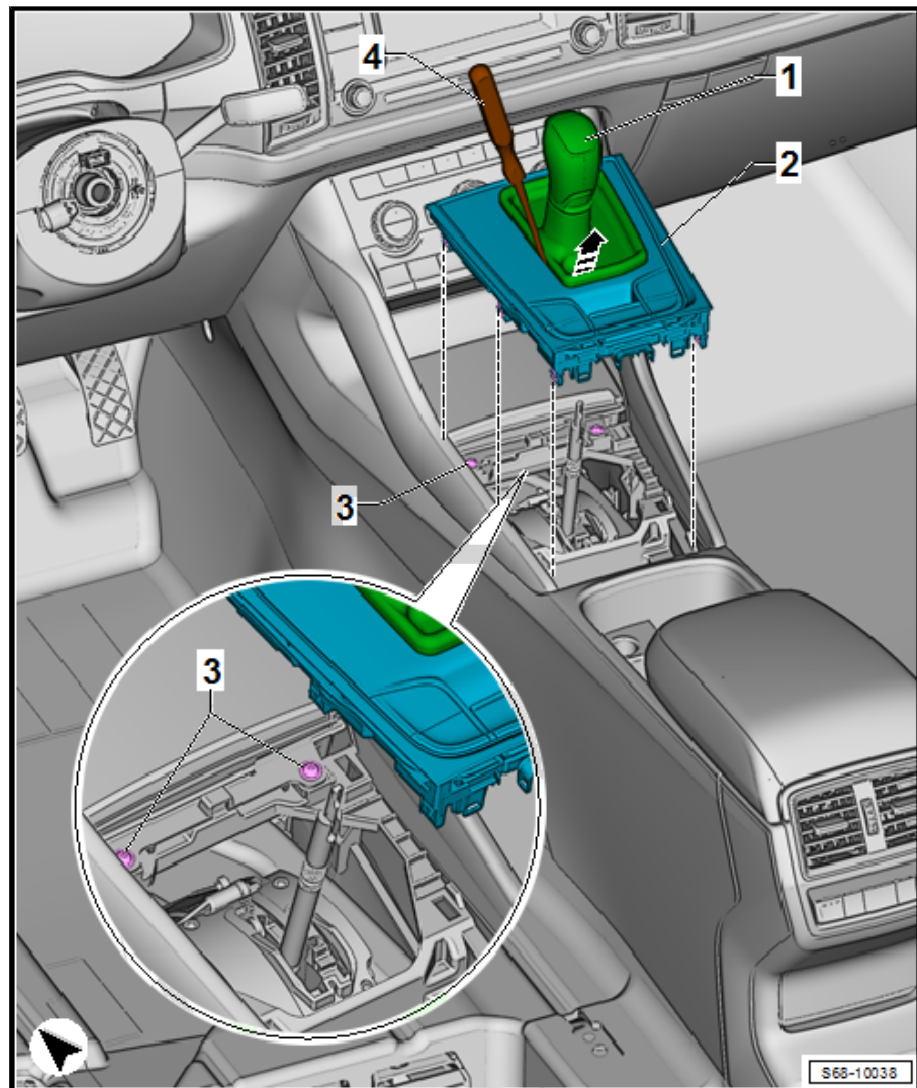
Protected by copyright
unless authorised
with respect





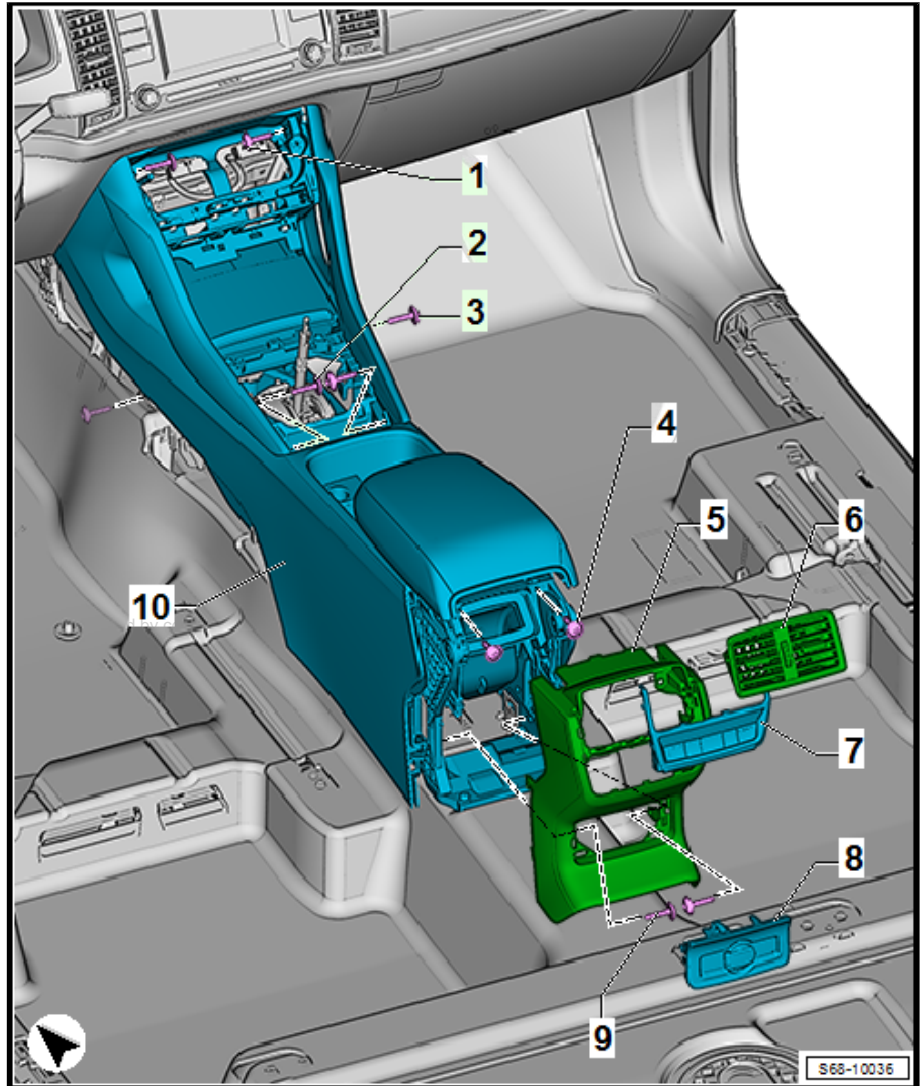
3.3 Removing and installing centre console

Removing



- Removing trim panel of front centre console
 ⇒ [“3.2 Removing and installing centre console trim in front footwell”, page 9](#)
- Remove gearshift knob with collar -1- ⇒ Rep. gr. 34 ; Shift mechanism .
- Unclip the gearshift knob trim panel.
- Remove trim panel with switch unit ⇒ Electrical System; Rep. gr. 96 ; Controls; Installation location overview - controls in the centre console .
- Disconnect plug connections (depending upon vehicle equipment).
- Remove screws -3- (1,5 Nm).

Commercial purposes, in part or in whole, is not permitted unless authorised by ŠKODA AUTO A. S. ŠKODA AUTO A. S. does not guarantee or accept any liability with respect to the correctness of information in this document. Copyright by ŠKODA AUTO A. S. ©



- Remove controls for heating and air conditioning system ⇒ Heating, Air Conditioning; Rep. gr. 87 ; Control and display unit; Removing and installing control and display unit .
- Remove switch unit beneath trim for heating and air conditioning controls ⇒ Electrical System; Rep. gr. 96 ; Controls; Installation location overview - controls in dash panel .
- Remove rear trim panel -8-.
- Disconnect plug for 12V socket (depending on vehicle equipment).
- Remove vents -6-
 ⇒ [“3.4.3 Removing and installing rear centre vent”](#),
[page 88](#) .
- Remove trim of controls -7- (depending on vehicle equipment)
 ⇒ Electrical System; Rep. gr. 96 ; Controls; Removing and installing switch with control of the heated rear seat -E128- / -E129- .
- Disconnect the plug connections.
- Release screws - 9 and 4 - (1.5 Nm).
- Slide rear trim for armrest -5- out to the rear.



- Remove armrest
⇒ [“4.1 Removing and installing front armrest”, page 13](#) .
- Remove screws - 1, 2 and 3 - (1.5 Nm).
- Tip up centre console and slide it out to the rear and upwards (above the shift lever).

Installing

- Installation is carried out in the reverse order.

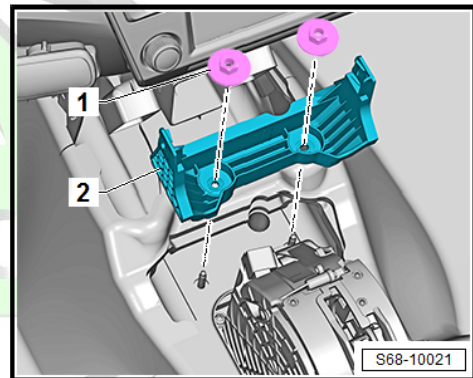
3.4 Removing and installing the bracket for the centre console

Remove the bracket for the centre console

- Remove the centre console
⇒ [“3.3 Removing and installing centre console”, page 10](#) .
- Unscrew nuts (Pos. 1) (8 Nm).
- Remove bracket from vehicle.

Installing

- Installation is carried out in the reverse order.



Protected by copyright. Copying for private or commercial purposes, in part or in whole, is not permitted unless authorised by ŠKODA AUTO A. S. ŠKODA AUTO A. S. does not guarantee or accept any liability with respect to the correctness of information in this document. Copyright by ŠKODA AUTO A. S. ©

4 Front armrest

⇒ [“4.1 Removing and installing front armrest”, page 13](#)

⇒ [“4.2 Removing and installing the top part of the armrest”, page 13](#)

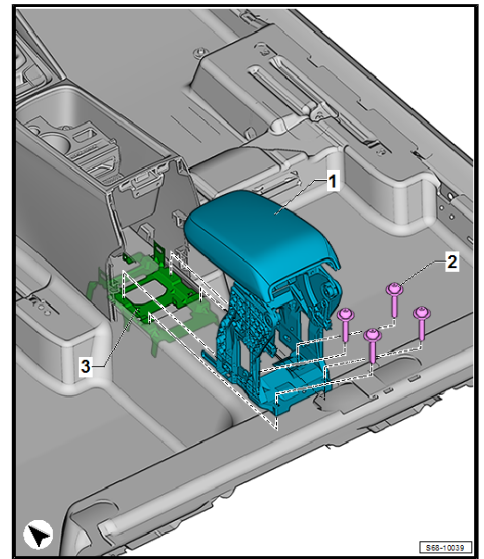
4.1 Removing and installing front armrest

Removing

- Remove rear armrest
⇒ [“3.3 Removing and installing centre console”, page 10](#) .
- Remove screws -2- (6 Nm).
- Slide armrest -1- back.

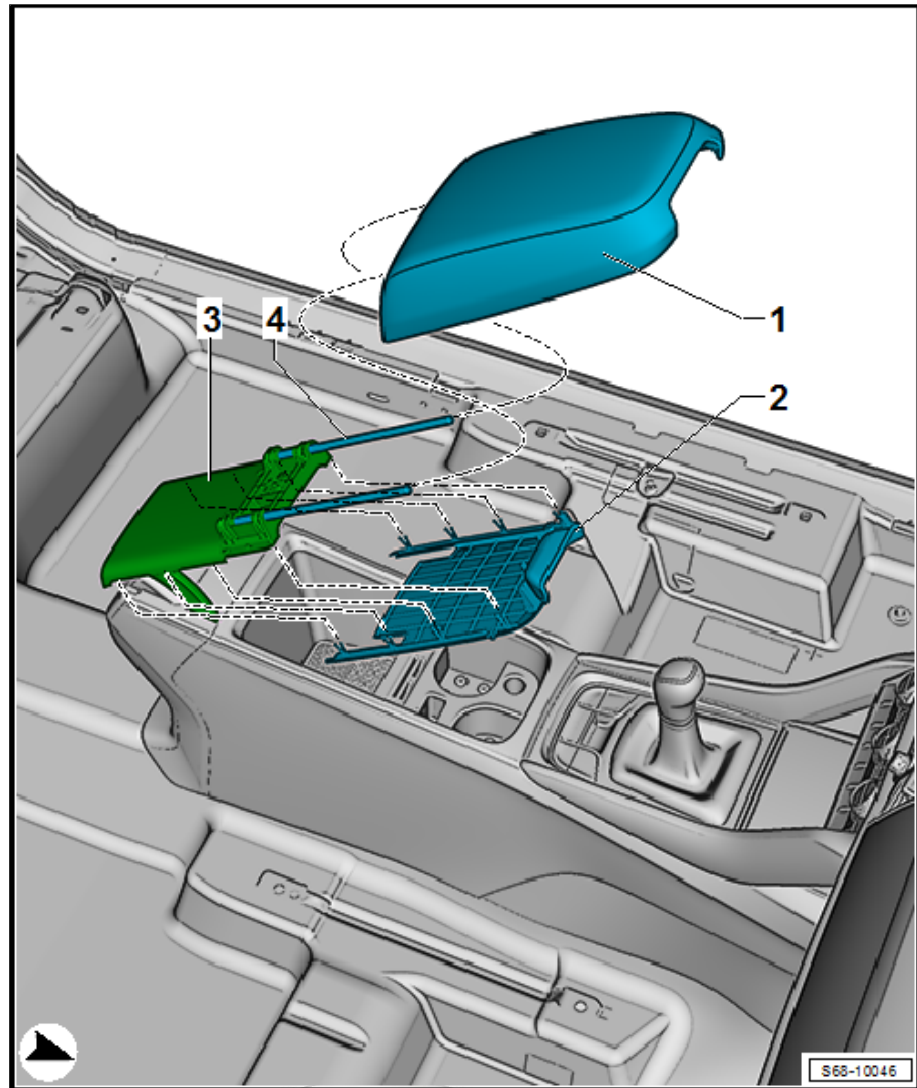
Installing

- Installation is carried out in the reverse order.



4.2 Removing and installing the top part of the armrest





Removing

- Unclip bottom part of the armrest -2- with e.g. removal wedge -3409- .
- Pull the top part of the armrest -1- forwards out of the tubing -4-.

Installing

- Before sliding on the top part of the armrest, apply grease to the sliding areas.
- Slide top part of armrest backwards onto the tubing.
- Clip on the bottom part of the armrest.

Protected by copyright. Copying for private or commercial purposes, in part or in whole, is not permitted unless authorised by ŠKODA AUTO A. S. ŠKODA AUTO A. S. does not guarantee or accept any liability with respect to the correctness of information in this document. Copyright by ŠKODA AUTO A. S. ©

5 Interior rear-view mirror

⇒ [“5.1 Summary of components - Interior rear-view mirror”, page 15](#)

⇒ [“5.2 Removing and installing the interior rear-view mirror”, page 17](#)

5.1 Summary of components - Interior rear-view mirror

⇒ [“5.1.1 Summary of components - manual anti-dazzle interior mirror”, page 15](#)

⇒ [“5.1.2 Summary of components - automatic anti-dazzle interior rear-view mirror without front camera for driver assistance systems R242”, page 16](#)

⇒ [“5.1.3 Summary of components - automatic anti-dazzle interior rear-view mirror with front camera for driver assistance systems R242”, page 17](#)

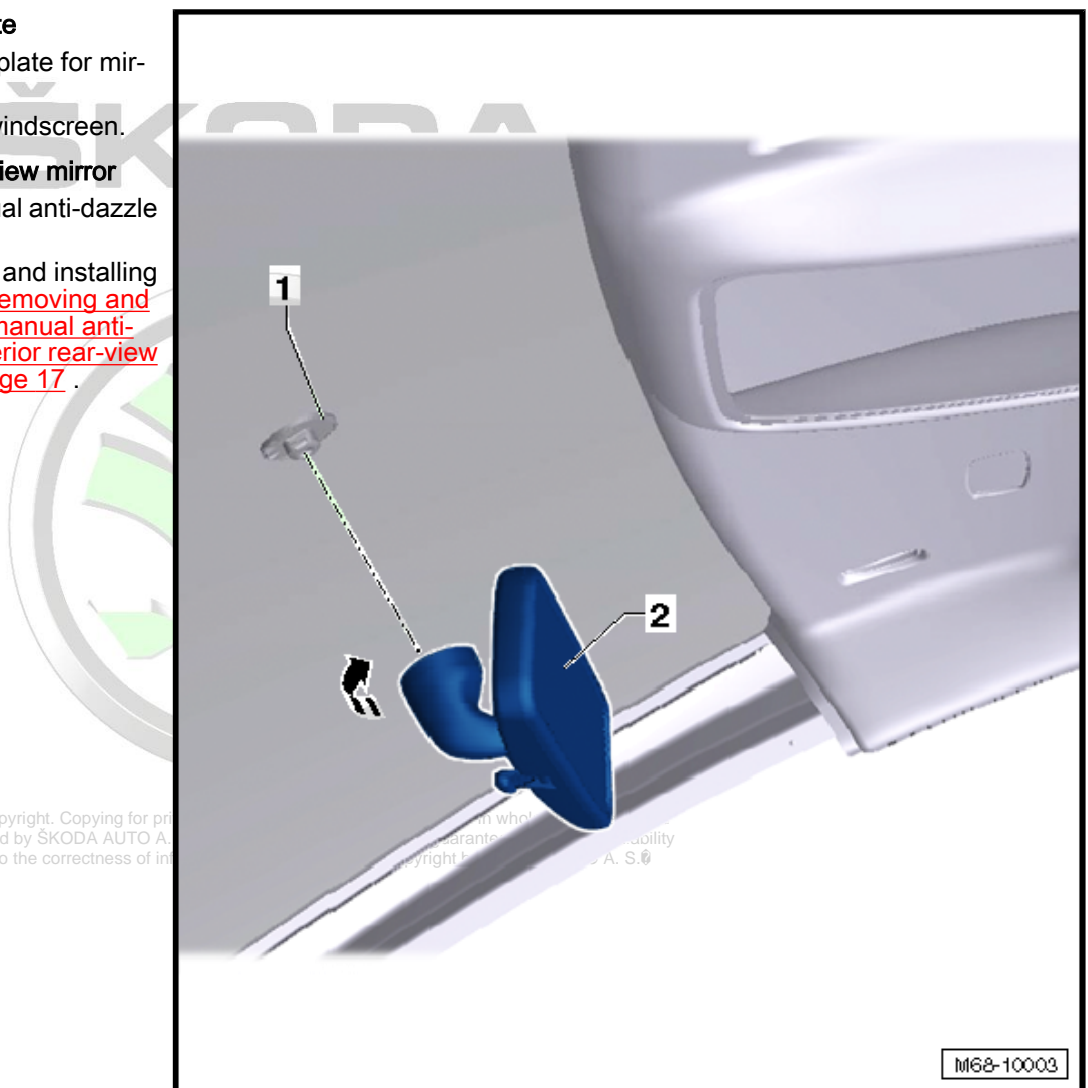
5.1.1 Summary of components - manual anti-dazzle interior mirror

1 - Retaining plate

- Retaining plate for mirror holder.
- Glued to windscreen.

2 - Interior rear-view mirror

- With manual anti-dazzle function.
- Removing and installing
⇒ [“5.2.1 Removing and installing manual anti-dazzle interior rear-view mirror”, page 17](#).





5.1.2 Summary of components - automatic anti-dazzle interior rear-view mirror without front camera for driver assistance systems - R242-

1 - Cover for cable guide

2 - Retaining plate

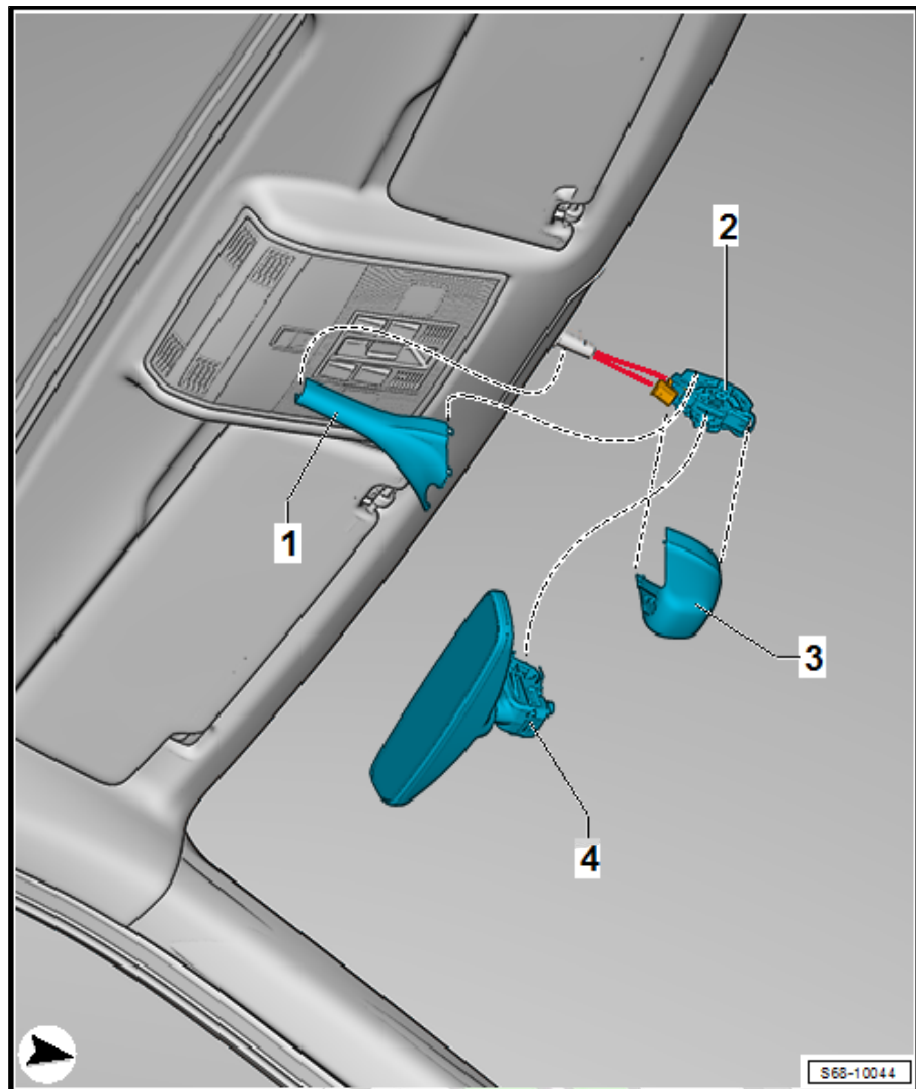
- Glued to windscreen.
- Gluing on
 ⇒ [“5.2.3 Gluing the retaining plate for automatic anti-dazzle interior rear-view mirror”, page 21](#) .

3 - Front cover

- For mirror holder.

4 - Interior rear-view mirror

- Removing and installing
 ⇒ [“5.2 Removing and installing the interior rear-view mirror”, page 17](#) .



Protected by copyright. Copying for private or commercial purposes, in part or in whole, is not permitted unless authorised by ŠKODA AUTO A. S. ŠKODA AUTO A. S. does not guarantee or accept any liability with respect to the correctness of information in this document. Copyright by ŠKODA AUTO A. S. ©

5.1.3 Summary of components - automatic anti-dazzle interior rear-view mirror with front camera for driver assistance systems - R242-

1 - Front camera for driver assistance systems - R242-

- ⇒ Electrical system; Rep. gr. 96 ; Front camera for driver assistance systems .

2 - Retaining plate

- Glued to windscreen.
- Glue on
⇒ [“5.2.3 Gluing the retaining plate for automatic anti-dazzle interior rear-view mirror”](#), page 21 .

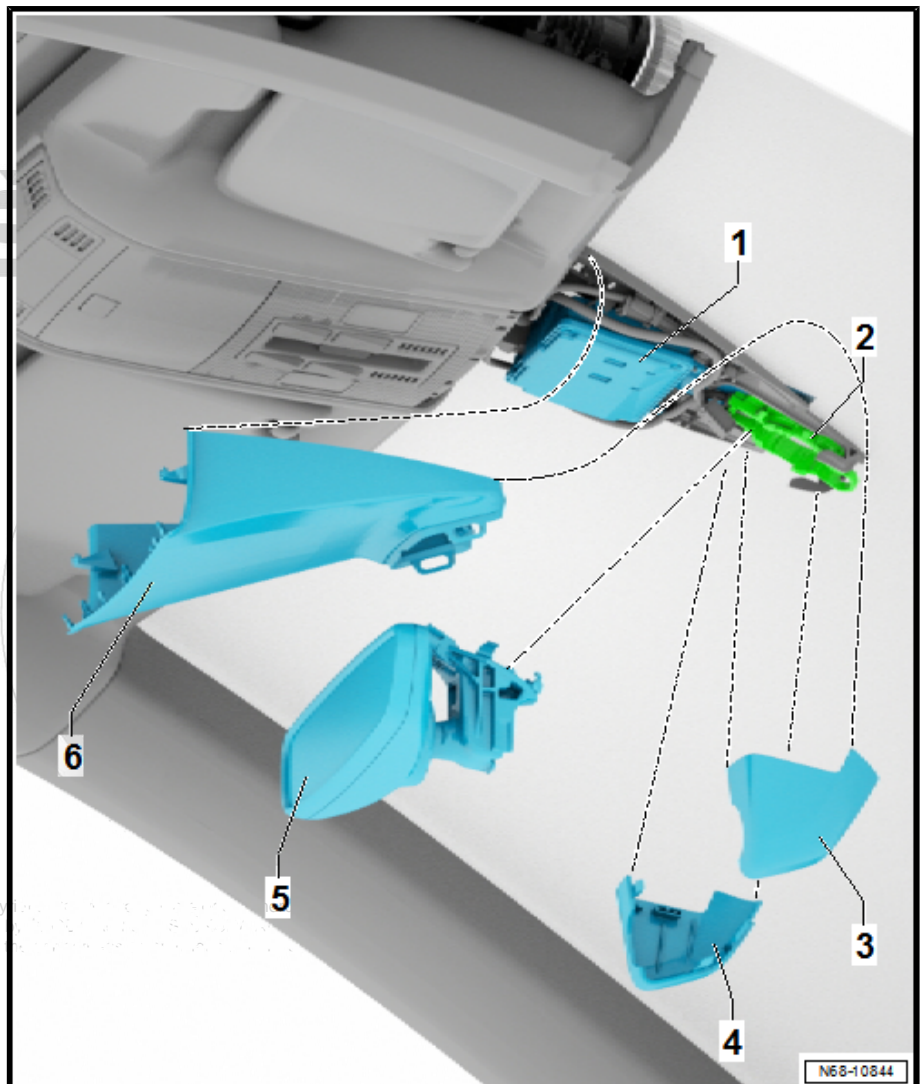
3 - Front right cover

4 - Front left cover

5 - Interior rear-view mirror

- Removing and installing
⇒ [“5.2 Removing and installing the interior rear-view mirror”](#), page 17 .

6 - Cover for front camera



5.2 Removing and installing the interior rear-view mirror

⇒ [“5.2.1 Removing and installing manual anti-dazzle interior rear-view mirror”](#), page 17

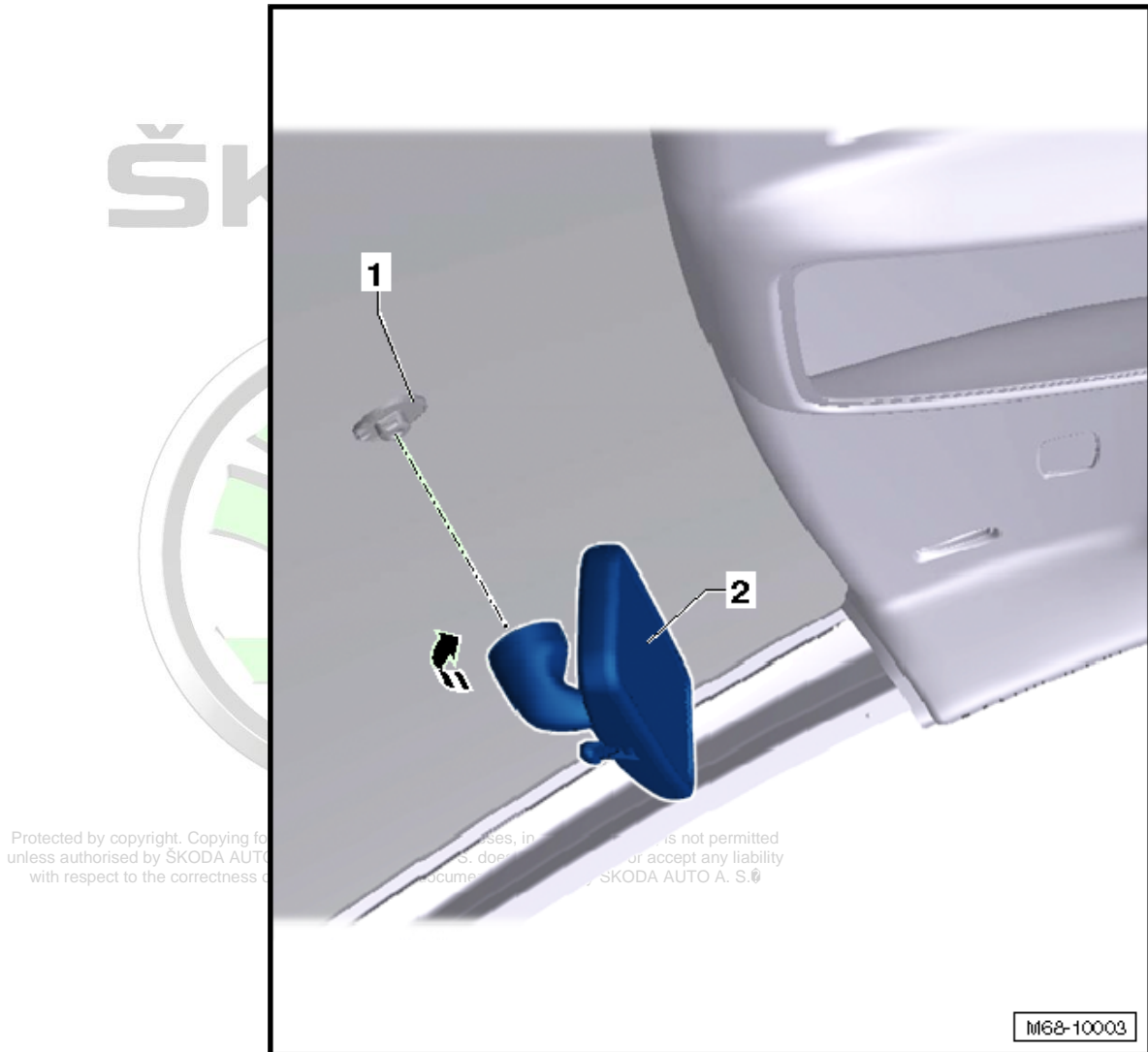
⇒ [“5.2.2 Removing and installing automatic anti-dazzle interior rear-view mirror”](#), page 19

⇒ [“5.2.3 Gluing the retaining plate for automatic anti-dazzle interior rear-view mirror”](#), page 21

5.2.1 Removing and installing manual anti-dazzle interior rear-view mirror

Removing

- Rotate the interior mirror -2- by 90° (1/4 turn) -arrow-.
- Remove the interior mirror -2- from the glued-on retaining plate -1-.



Installing



Note

- ◆ *Before installation, check the clip connections for damage and replace if necessary.*
- ◆ *Retaining plate is glued on by the manufacturer with special technology and cannot be used in workshop conditions.*

Installation is carried out in the reverse order.

5.2.2 Removing and installing automatic anti-dazzle interior rear-view mirror

Removing

Vehicles without front camera for driver assistance systems - R242-

- Carefully push the cap -1- out of the bracket -2-.
- Carefully push the cover for the cable guide -3- out of the interior mirror -4-.

Vehicles with front camera for driver assistance systems - R242-

- Carefully push the caps -3- and -4- sideways out of the interior mirror -1-.
- Carefully push the cover of the front camera for driver assistance systems - R242- -2- out of the interior mirror -1- and roof trim.

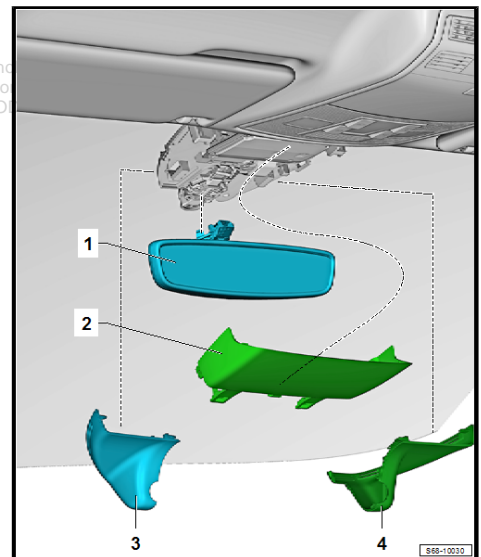
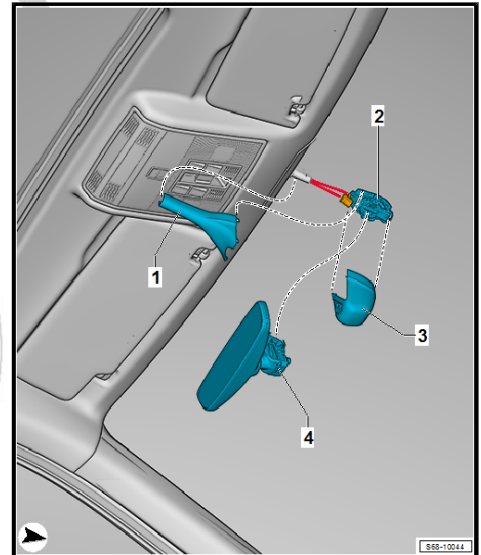
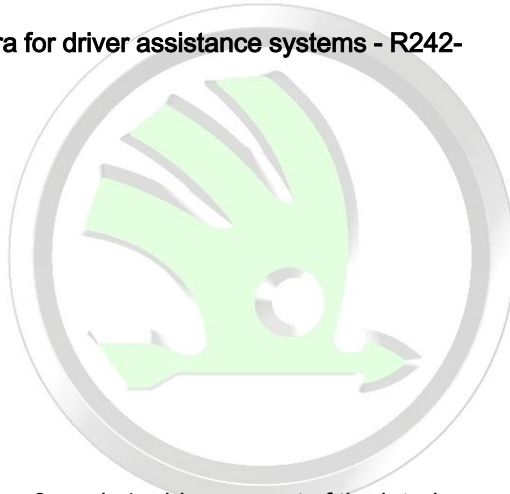
All vehicles

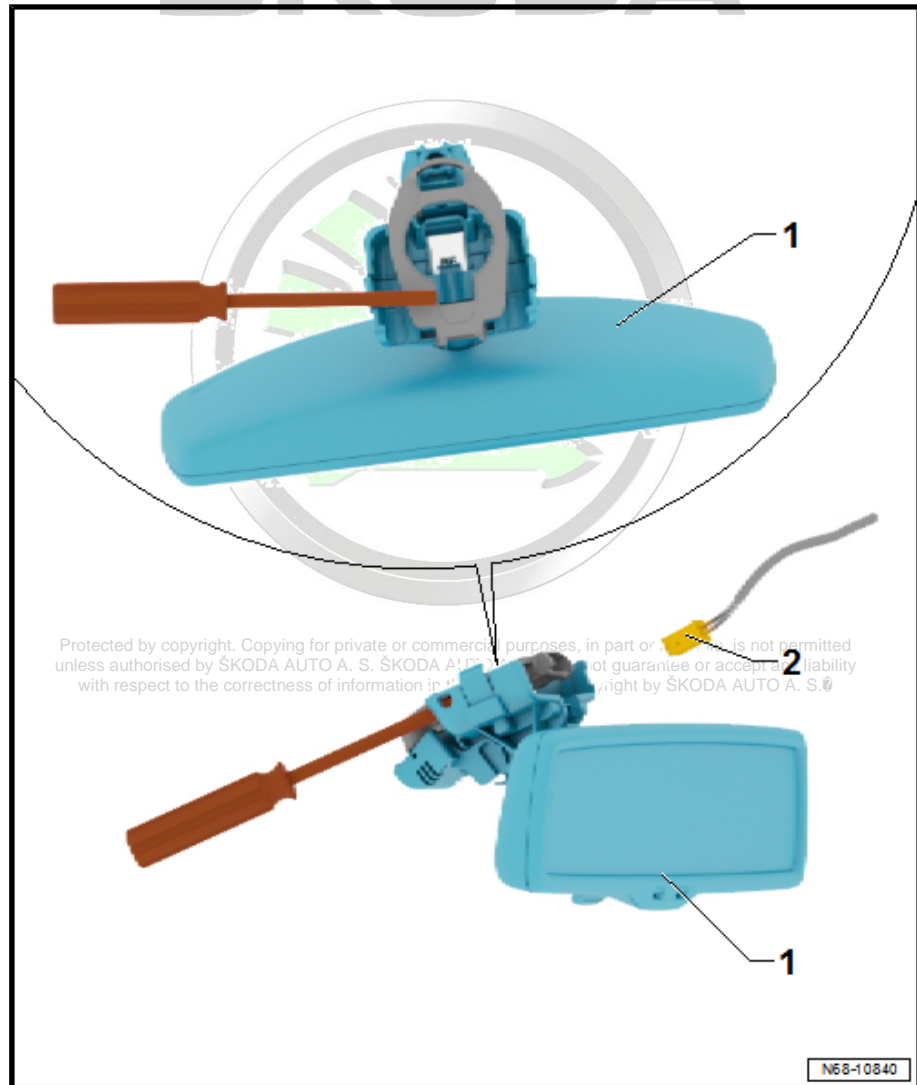
- Disconnect electrical plug connection -2- for interior mirror -1-.
- Guide screwdriver \varnothing 4.5 mm into the gap.
- Turn the interior rear-view mirror -1- counterclockwise by 20° and remove downwards.

Note

Ensure that the screwdriver is inserted when turning. But do not use the screwdriver as a lever.

ŠKODA





i Note

Information about sensor for rain and light detection is provided in the Workshop Manual - Electrical system ⇒ Rep. gr. 92; Wind-screen wiper system; Removing and installing sensor for rain and light detection .

Installing

i Note

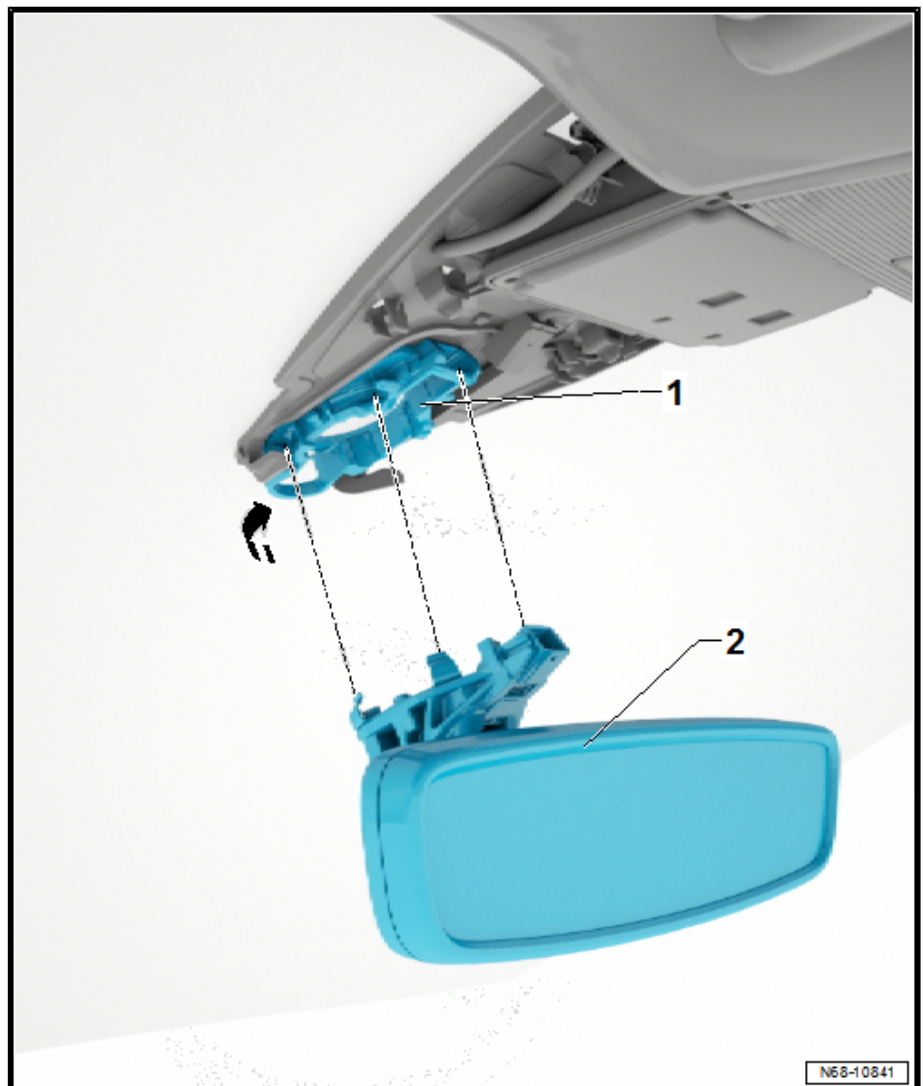
Before installation, check the clip connections for damage and replace if necessary.

- Fit mirror -2- at an angle of 20° counterclockwise on retaining plate -1-.

i Note

Ensure the mirror is seated parallel to the retaining plate.

- Connect the plug connection.
- Rotate the mirror -2- clockwise -arrow- until it audibly locks into the retaining plate -1-.



Further installation occurs in reverse order.

5.2.3 Gluing the retaining plate for automatic anti-dazzle interior rear-view mirror

i Note

- ◆ *The windscreen does not have to be repaired if the repair procedure described is followed.*
- ◆ *The old fallen-off mirror holder can also be reused.*

Preparing windscreen

- Remove all residues of adhesive and primer down to the ceramic layer.
- Clean the bonding surface with cleaning solution - D 009 401 04- .



- Leave to "dry" for approx. 10 minutes.
- Apply glass/paint primer - D 009 200 02- to the glass ceramic layer.
- Then leave to dry: min. 10 minutes to max. 1 hour.

Preparing the fallen-off retaining plate

- Remove adhesive residues mechanically:
 - ◆ Grind the bonding surface "wet on wet" with very fine sandpaper (800-1200 grain) until the bonding surface is completely covered by water.
 - ◆ Then clean with cleaning solution - D 009 401 04- .
 - ◆ Leave to "dry" for approx. 10 minutes.
 - ◆ Apply plastic primer - D 822 150 A1- to the bonding surface of the retaining plate.
 - ◆ Then leave to dry again: min. 10 minutes to max. 1 hour.

Gluing on the retaining plate

- Apply 2-component polyurethane adhesive - D 180 KD2 A1- directly to the ground and cleaned bonding surface -1-.

The diameter of the adhesive bead should be approx. 2.5 mm to 3.0 mm.

- Immediately after application, press the retaining plate onto the windscreen -2-.
- Centre the retaining plate in its specific position on the ceramic layer and secure with adhesive tape.

Cleaning and removing excess adhesive

- Carefully remove the adhesive tape 0.5 - 1 hour after gluing on the retaining plate.
- Wipe off any soft excess adhesive around the edges with a small spatula.
- Remove excess adhesive with primer applicator and a cloth soaked in cleaning solution - D 009 401 04- .



Note

Only install the interior mirror 2.5 hours after gluing on the retaining plate.

ŠKODA



Protected by copyright. Copying for private or commercial purposes, in part or in whole, is not permitted unless authorised by ŠKODA AUTO A. S. ŠKODA AUTO A. S. does not guarantee or accept any liability with respect to the correctness of information in this document. Copyright by ŠKODA AUTO A. S. ©

69 – Passenger protection

1 Seat belts

⇒ [“1.1 Overview of fitting location - Seat belts and fixing points”, page 23](#)

⇒ [“1.2 Summary of components - three-point seatbelt front”, page 26](#)

⇒ [“1.3 Summary of components - rear outer three-point seat belt”, page 27](#)

⇒ [“1.4 Summary of components - rear middle three-point seat belt”, page 28](#)

⇒ [“1.5 Removing and installing the front three-point seat belt”, page 29](#)

⇒ [“1.6 Removing and installing the rear three-point seat belt”, page 31](#)

⇒ [“1.7 Removing and installing front belt guide”, page 33](#)

⇒ [“1.8 Removing and installing the front seat belt buckle”, page 33](#)

⇒ [“1.9 Removing and installing the rear seat belt buckle”, page 35](#)

1.1 Overview of fitting location - Seat belts and fixing points

⇒ [“1.1.1 Seat belts and fixing points - 5 seats”, page 23](#)

⇒ [“1.1.2 Seat belts and fixing points - 7 seats”, page 25](#)

1.1.1 Seat belts and fixing points - 5 seats



Protected by copyright. Copying for private or commercial purposes, in part or in whole, is not permitted unless authorised by ŠKODA AUTO A. S. ŠKODA AUTO A. S. does not guarantee or accept any liability with respect to the correctness of information in this document. Copyright by ŠKODA AUTO A. S. ©



1 - Remove rear outer belt end fitting

- ❑ Removing and installing ⇒ [“1.6 Removing and installing the rear three-point seat belt”, page 31](#) .

2 - Automatic belt retractor

- ❑ For rear outer three-point seat belt.
- ❑ Removing and installing ⇒ [“1.3 Summary of components - rear outer three-point seat belt”, page 27](#) .

3 - Automatic belt retractor

- ❑ For rear middle three-point seat belt.
- ❑ Removing and installing ⇒ [“1.6 Removing and installing the rear three-point seat belt”, page 31](#) .

4 - Remove rear outer belt end fitting

- ❑ Removing and installing ⇒ [“1.6 Removing and installing the rear three-point seat belt”, page 31](#) .

5 - Middle belt buckle

- ❑ For rear outer three-point seat belt.
- ❑ Removing and installing ⇒ [“1.9 Removing and installing the rear seat belt buckle”, page 35](#) .

6 - Automatic belt retractor

- ❑ Removing and installing ⇒ [“1.6.2 Removing and installing the rear middle three-point seat belt”, page 32](#) .

7 - Rear belt end fitting

- ❑ Removing and installing ⇒ [“1.9 Removing and installing the rear seat belt buckle”, page 35](#) .

8 - Front automatic belt retractor

- ❑ Removing and installing ⇒ [“1.5 Removing and installing the front three-point seat belt”, page 29](#) .

9 - Front belt end fitting

- ❑ Removing and installing ⇒ [“1.5 Removing and installing the front three-point seat belt”, page 29](#) .

10 - Front automatic belt retractor

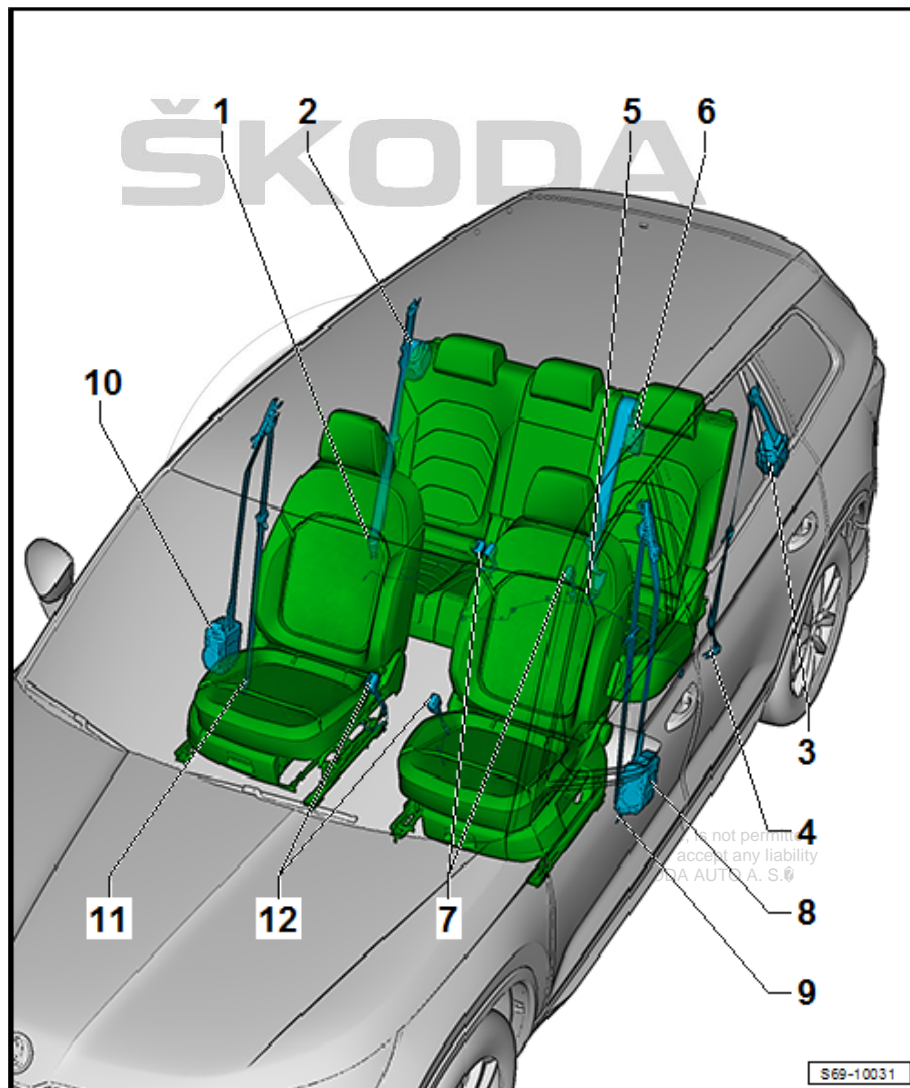
- ❑ Removing and installing ⇒ [“1.5 Removing and installing the front three-point seat belt”, page 29](#) .

11 - Front belt end fitting

- ❑ Removing and installing ⇒ [“1.5 Removing and installing the front three-point seat belt”, page 29](#) .

12 - Front seat belt buckle

- ❑ Removing and installing ⇒ [“1.8 Removing and installing the front seat belt buckle”, page 33](#) .



1.1.2 Seat belts and fixing points - 7 seats

1 - Automatic belt retractor

- ❑ For rear outer three-point seat belt.
- ❑ Removing and installing ⇒ [“1.6.1 Removing and installing the rear outer three-point seat belt”, page 31](#) .

2 - Remove rear outer belt end fitting

3 - Remove rear outer belt end fitting

4 - Automatic belt retractor

- ❑ For rear outer three-point seat belt.
- ❑ Removing and installing ⇒ [“1.6 Removing and installing the rear three-point seat belt”, page 31](#) .

5 - Belt buckle

- ❑ Removing and installing ⇒ [“1.9 Removing and installing the rear seat belt buckle”, page 35](#) .

6 - Rear belt buckle - 2nd row

- ❑ Removing and installing ⇒ [“1.9 Removing and installing the rear seat belt buckle”, page 35](#) .

7 - Rear belt buckle - 3rd row

- ❑ Removing and installing ⇒ [“1.9 Removing and installing the rear seat belt buckle”, page 35](#) .

8 - Automatic belt retractor - 2nd row

- ❑ Removing and installing ⇒ [“1.6 Removing and installing the rear three-point seat belt”, page 31](#) .

9 - Remove rear outer belt end fitting

- ❑ Removing and installing ⇒ [“1.6 Removing and installing the rear three-point seat belt”, page 31](#) .

10 - Automatic belt retractor - 2nd row

- ❑ Removing and installing ⇒ [“1.6 Removing and installing the rear three-point seat belt”, page 31](#) .

11 - Rear outer belt end fitting - 2nd row

- ❑ Removing and installing ⇒ [“1.6 Removing and installing the rear three-point seat belt”, page 31](#) .

12 - Belt buckle - 2nd row

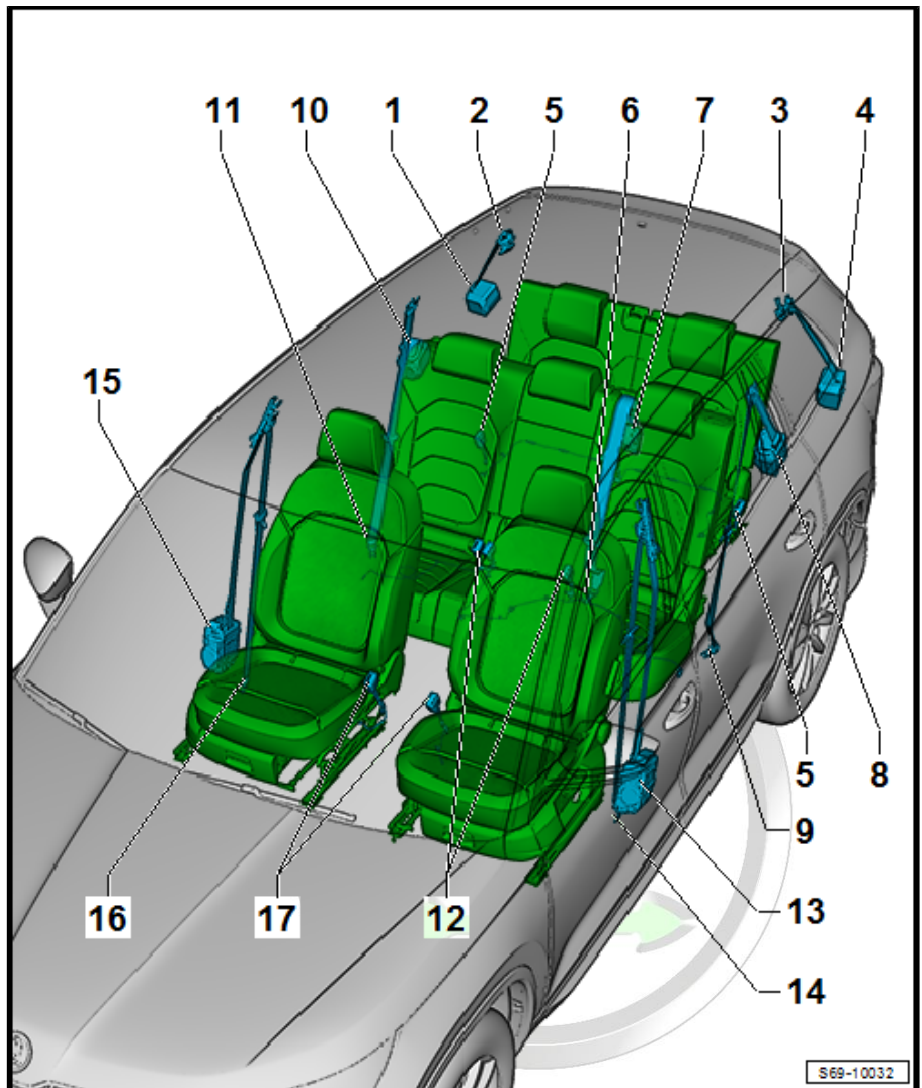
- ❑ Removing and installing ⇒ [“1.9 Removing and installing the rear seat belt buckle”, page 35](#) .

13 - Automatic belt retractor - 1st row

- ❑ Removing and installing ⇒ [“1.5 Removing and installing the front three-point seat belt”, page 29](#) .

14 - Front belt end fitting - 1st row

- ❑ Removing and installing ⇒ [“1.5 Removing and installing the front three-point seat belt”, page 29](#) .



Protected by copyright. Copying for private or commercial purposes, in part or in whole, is not permitted unless authorised by ŠKODA AUTO A. S. ŠKODA AUTO A. S. does not guarantee or accept any liability with respect to the correctness of information in this document. Copyright by ŠKODA AUTO A. S. ©



15 - Automatic belt retractor - 1st row

- ❑ Removing and installing ⇒ [“1.5 Removing and installing the front three-point seat belt”, page 29](#) .

16 - Front belt end fitting - 1st row

- ❑ Removing and installing ⇒ [“1.5 Removing and installing the front three-point seat belt”, page 29](#) .

17 - Front seat belt buckle

- ❑ Removing and installing ⇒ [“1.8 Removing and installing the front seat belt buckle”, page 33](#) .

1.2 Summary of components - three-point seatbelt front

1 - Screw

- ❑ If removing as a result of an accident when the seat belt was attached, replace the screw.
- ❑ Tightening torque: 40 Nm.

2 - Belt end fitting

- ❑ Removing and installing ⇒ [“1.5 Removing and installing the front three-point seat belt”, page 29](#) .

3 - Body-bound rivet

4 - Front belt guide

- ❑ Removing and installing ⇒ [“1.7 Removing and installing front belt guide”, page 33](#) .
- ❑ Note the correct installation position when installing.

5 - Screw

- ❑ If removing as a result of an accident when the seat belt was attached, replace the screw.
- ❑ Tightening torque: 40 Nm.

6 - Screw

- ❑ If removing as a result of an accident when the seat belt was attached, replace the screw.
- ❑ Tightening torque: 20 Nm.

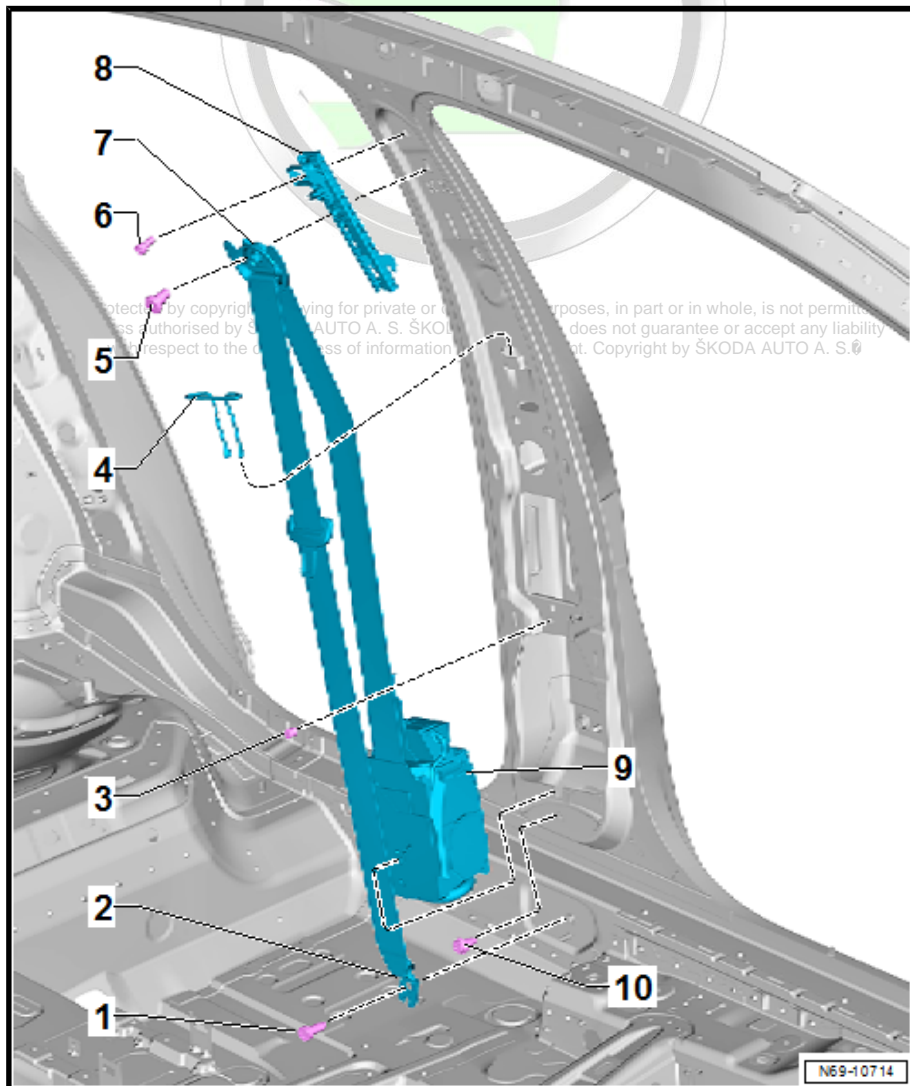
7 - Guide deflection fitting

8 - Seat belt height adjuster

- ❑ Removing and installing ⇒ [“1.7 Removing and installing front belt guide”, page 33](#) .
- ❑ Always replace after activating the belt tensioner with the seatbelt fastened.

9 - Automatic belt retractor

- ❑ Removing and installing ⇒ [“1.5 Removing and installing the front three-point seat belt”, page 29](#) .
- ❑ In vehicles with control unit for front left belt tensioner - J854- or control unit for front right belt tensioner - J855- , the components must be adapted to the airbag control unit - J234- after the seat belt has been



replaced ⇒ Targeted fault-finding . If ⇒ Targeted fault-finding has already started, update test plan “15 - Airbag”.

10 - Screw

- ❑ If removing as a result of an accident when the seat belt was attached, replace the screw.
- ❑ Tightening torque: 40 Nm.

1.3 Summary of components - rear outer three-point seat belt

1 - Automatic belt retractor with belt tensioner or without belt tensioner

- ❑ Removing and installing ⇒ [“1.6.1 Removing and installing the rear outer three-point seat belt”, page 31](#) .

2 - Screw

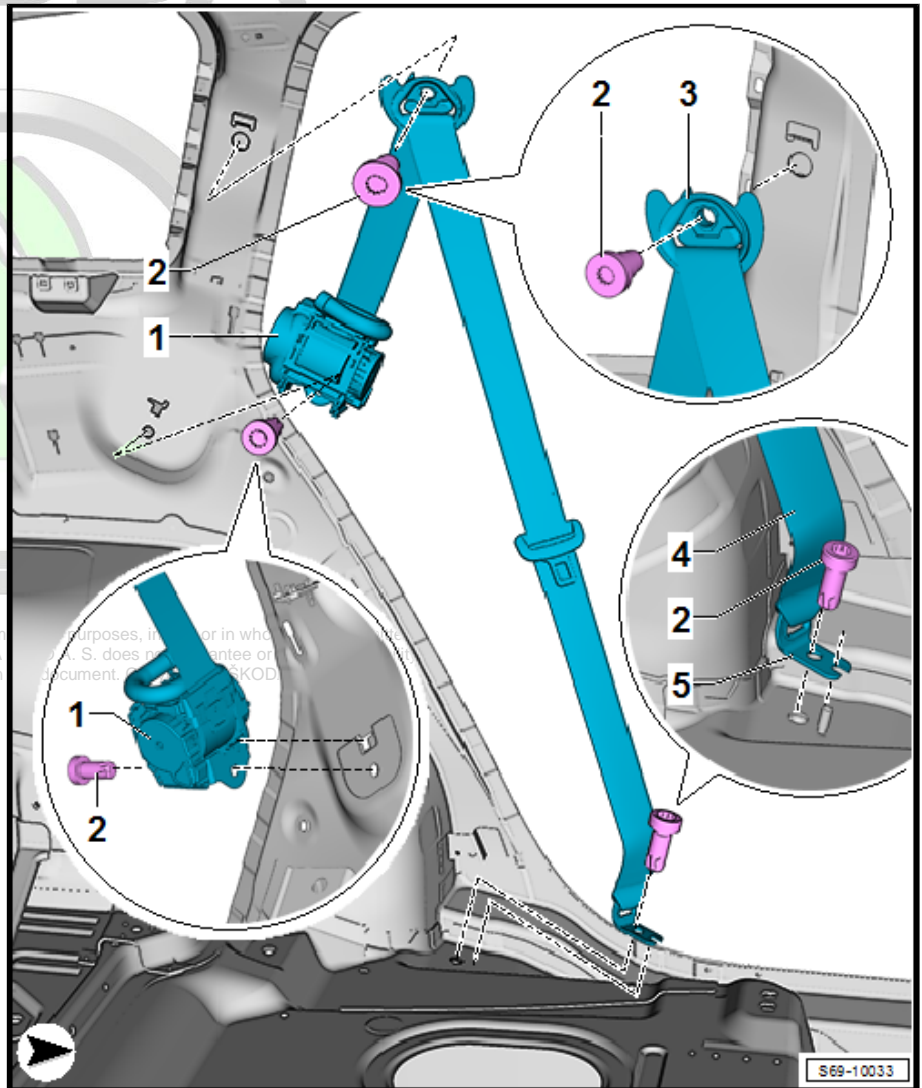
- ❑ After an accident with the seat belt fastened, replace the bolt.
- ❑ Tightening torque: 40 Nm.

3 - Top deflection fitting

4 - Seat belt

5 - Remove rear outer belt end fitting

- ❑ Removing and installing ⇒ [“1.6.1 Removing and installing the rear outer three-point seat belt”, page 31](#) .





1.4 Summary of components - rear middle three-point seat belt

1 - Belt buckle

- Removing and installing
⇒ [“1.9 Removing and installing the rear seat belt buckle”, page 35](#) .
- Always replace after activating the belt tensioner with the seatbelt fastened.

2 - Nut

- Tightening torque: 40 Nm.

3 - Nut

- If removing as a result of an accident when the seat belt was attached, replace the nut.
- Tightening torque: 40 Nm.

4 - Automatic belt retractor

- Removing and installing
⇒ [“1.6.2 Removing and installing the rear middle three-point seat belt”, page 32](#) .

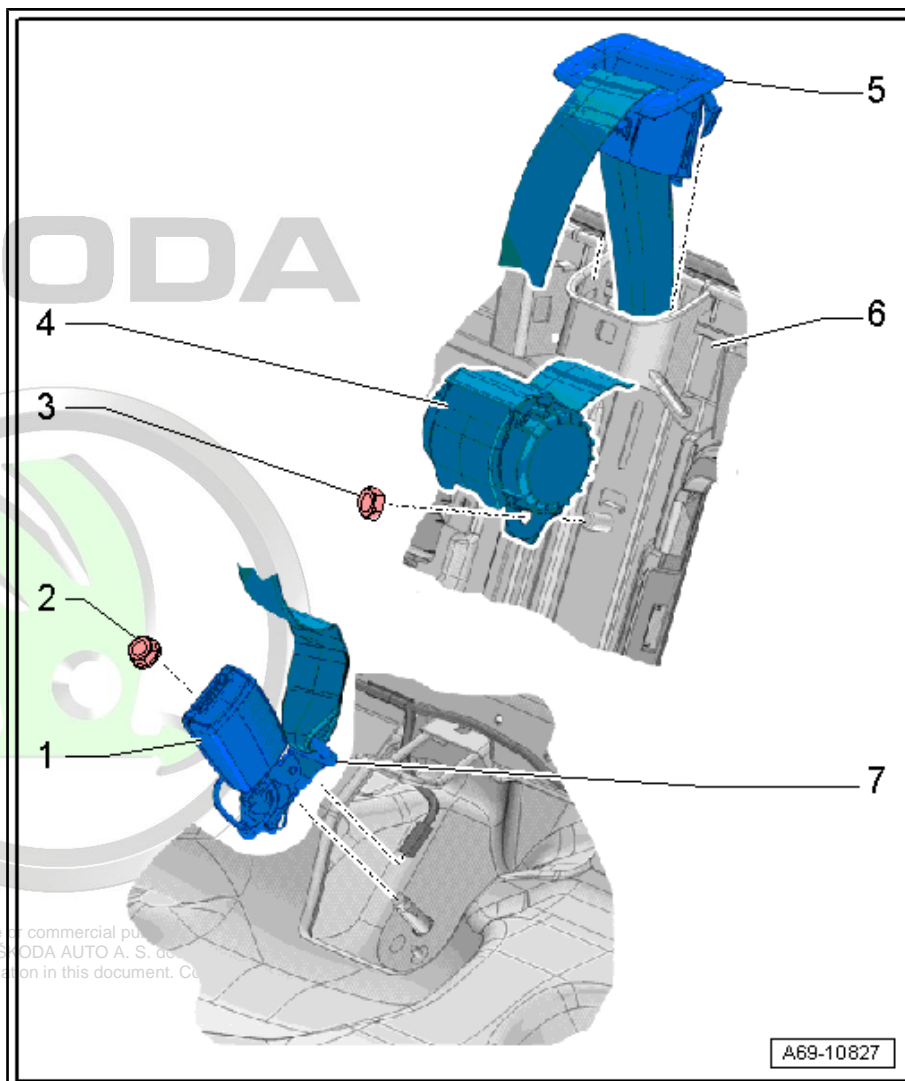
5 - Rear middle belt guide

- When damaged, replace the entire belt guide.
- When replacing, always press the 2 locking bolts towards the inside and remove the belt guide.
- When fitting, press until you hear it lock into place.

6 - Rear seat backrest

7 - Rear middle belt end fitting

- Removing and installing ⇒ [“1.9 Removing and installing the rear seat belt buckle”, page 35](#) .



1.5 Removing and installing the front three-point seat belt

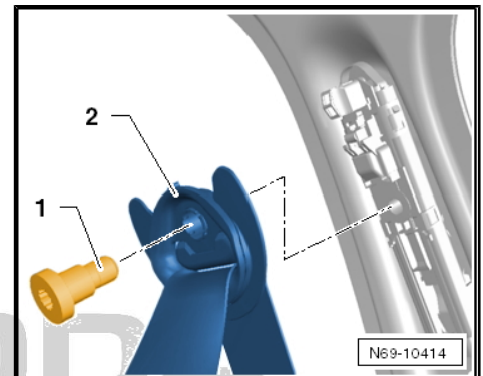
Removing



WARNING

- ◆ *Observe the general safety instructions for working on air-bag, belt tensioner and battery separation units (pyrotechnical components).*
- ◆ *Observe the special instructions for the belt tensioner ⇒ **"2.2 Special instructions for the belt tensioner", page 40**.*

- Disconnect vehicle battery ⇒ Electrical system; Rep. gr. 27 ; Battery; Disconnecting and connecting the battery .
- Remove the trim panels of the B pillar ⇒ **"5.2 Removing and installing B-pillar trim panel", page 98** .
- Unclip the door sill panel towards the top out of the front side rail.
- Unclip the door sill panel until the screw of the automatic belt retractor can be reached.
- Unscrew the screw -1- (40 Nm) and release the belt deflection fitting -2- from the seat belt height adjustment.

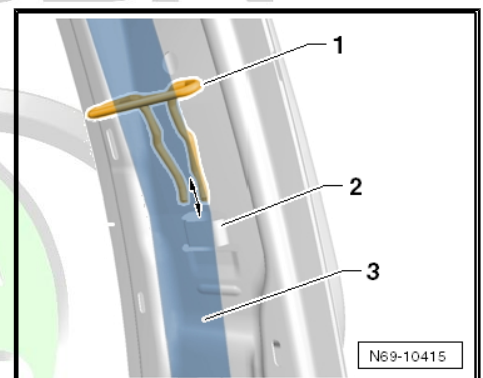


- Pull the seat belt deflection -1- out of the tab -2-.
- Guide the seat belt -3- out of the seat belt deflection -1-.



WARNING

When installing, the seat belt deflection -1- must lock audibly into the tab -2-!



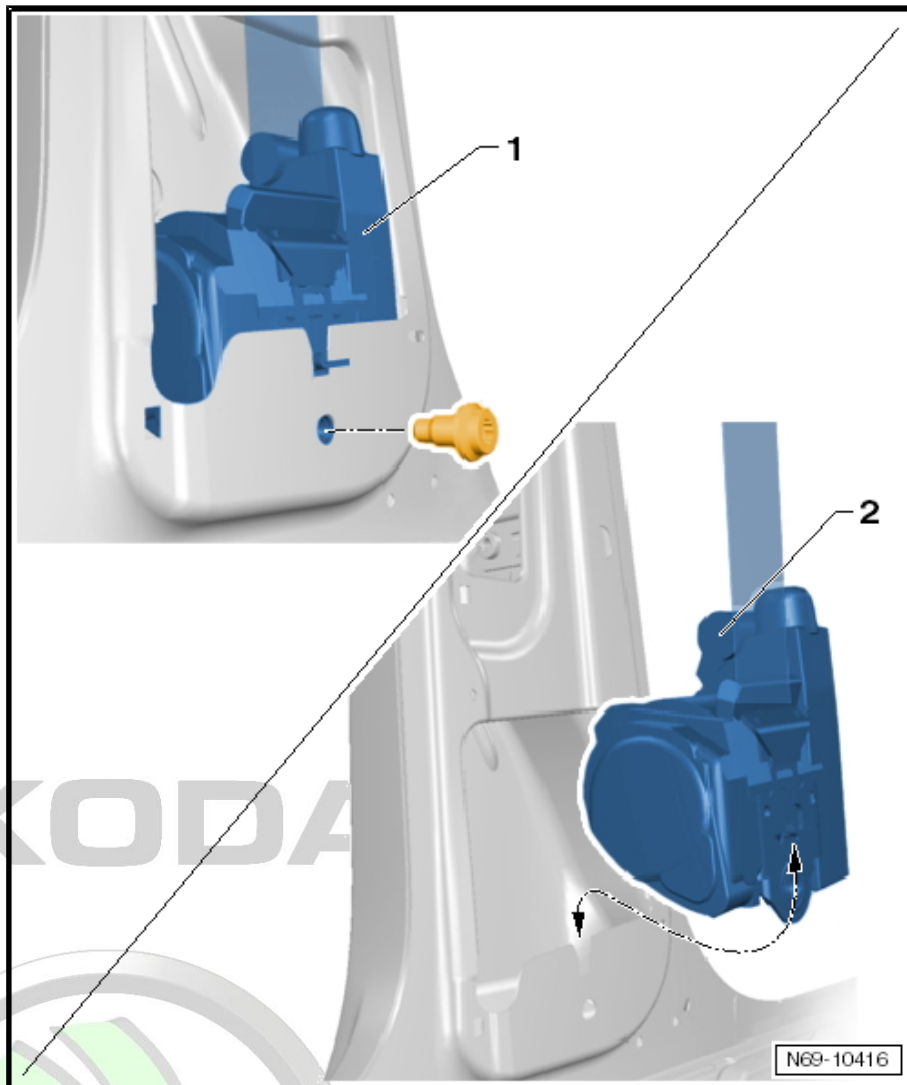
WARNING

When electrostatic discharges occur, there is a risk of the belt tensioners being activated unintentionally. Therefore, the mechanic must discharge himself electrostatically before separating the ignition and earth lead. This occurs, for example, by briefly touching the body or the door closing mechanism.

Protected by copyright. Copying for private or commercial purposes, in part or in whole, is not permitted unless authorised by ŠKODA AUTO A. S. ŠKODA AUTO A. S. does not guarantee or accept any liability with respect to the correctness of information in this document. Copyright by ŠKODA AUTO A. S. ©



- Disconnect the plug connection from the automatic belt retractor.
- Release the screw (40 Nm) and remove the automatic belt retractor -2- from the B pillar.

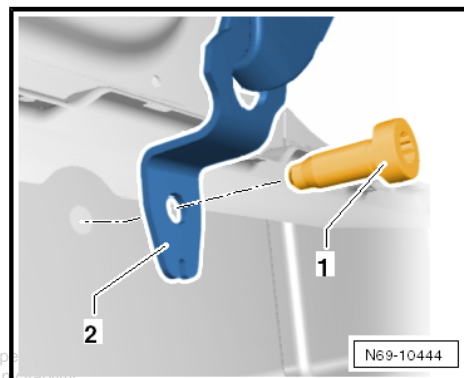


- Unscrew screw -1- (40 Nm) and loosen the belt end fitting -2- from the body.

Installing

Installation is carried out in the reverse order.

- Connect vehicle battery ⇒ Electrical system; Rep. gr. 27 ; Battery; Disconnecting and connecting the battery .



Protected by copyright. Copying for private or commercial purposes, in part or in whole, is not permitted unless authorised by ŠKODA AUTO A. S. ŠKODA AUTO A. S. does not guarantee or accept any liability with respect to the correctness of information in this document. Copyright by ŠKODA AUTO A. S. ©

1.6 Removing and installing the rear three-point seat belt

⇒ [“1.6.1 Removing and installing the rear outer three-point seat belt”, page 31](#)

⇒ [“1.6.2 Removing and installing the rear middle three-point seat belt”, page 32](#)

1.6.1 Removing and installing the rear outer three-point seat belt

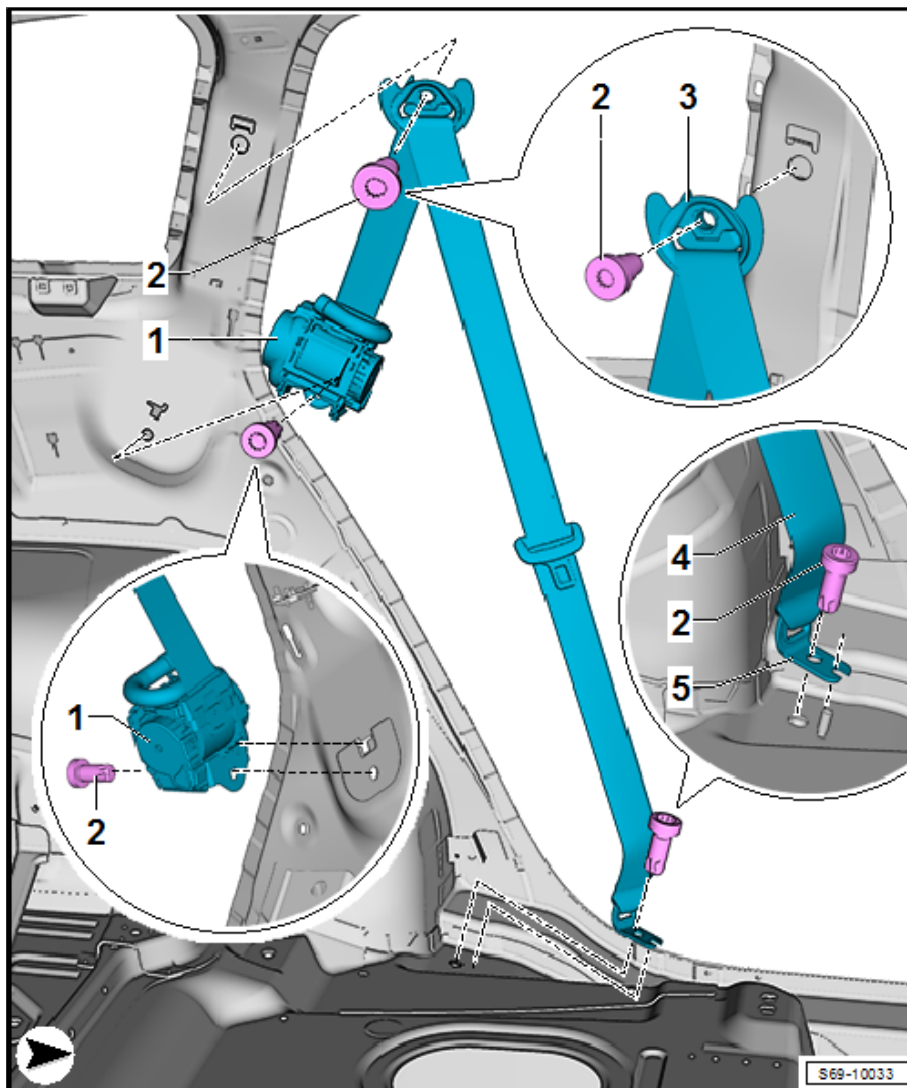
Removing

- Removing seat
⇒ [“2.2 Removing and installing the rear seat bench / individual seats”, page 130](#) .
- Removing side trim panel in luggage compartment
⇒ [“6.6 Removing and installing luggage compartment side trim panel”, page 111](#) .
- Remove screw -2- (40 Nm).
- Remove the screw -3- (40 Nm) from the bottom deflection fitting -4-.
- Remove the automatic belt retractor -1- from the top part of the rear panel.

ŠKODA



Protected by copyright. Copying for private or commercial purposes, in part or in whole, is not permitted unless authorised by ŠKODA AUTO A. S. ŠKODA AUTO A. S. does not guarantee or accept any liability with respect to the correctness of information in this document. Copyright by ŠKODA AUTO A. S. ©



SKODA

Installing

- Installation is carried out in the reverse order.



Note

The automatic belt retractors for the 3rd seat row are removed and installed in exactly the same way as for the 2nd seat row. In order to remove, first remove the luggage compartment side trim panel

⇒ [“6.6 Removing and installing luggage compartment side trim panel”, page 111](#) and the D-pillar trim panel

⇒ [“5.4 Removing and installing D-pillar trim panel”, page 102](#).

1.6.2 Removing and installing the rear middle three-point seat belt

Removing

- Remove backrest cover with backrest upholstery for rear seat backrest

⇒ [“2.1 Removing and installing the cover and the upholstery”, page 146](#).

Protected by copyright. Copying for private or commercial purposes, in part or in whole, is not permitted unless authorised by ŠKODA AUTO A. S. ŠKODA AUTO A. S. does not guarantee or accept any liability with respect to the correctness of information in this document. Copyright by ŠKODA AUTO A. S.

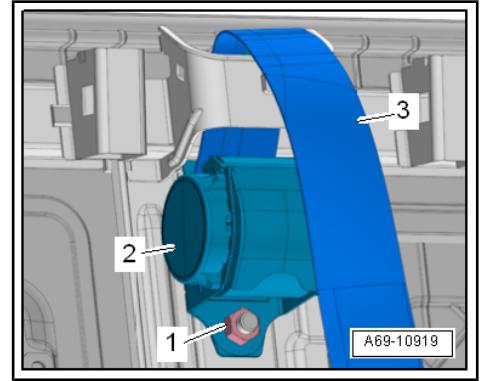


- Unscrew nut -1- (40 Nm).
- Unhook and remove three-point seat belt -2-.
- Pull out the seat belt - 3 -.

Installing

- If parts of the belt system must be removed due to an accident, replace the fixing screws of the belt system.
- Insert the three-point seat belt with anti-rotation mechanism into the mount and tighten the nut.

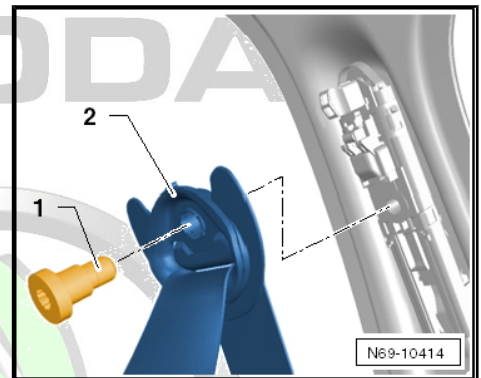
Further installation occurs in reverse order.



1.7 Removing and installing front belt guide

Removing

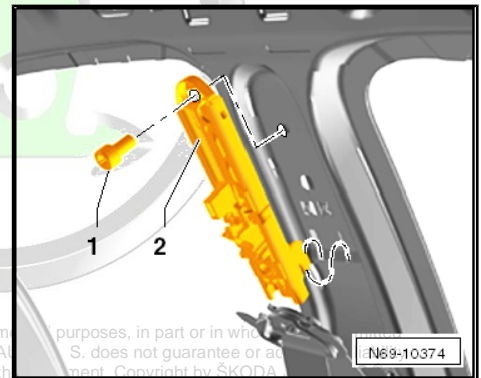
- Remove top trim panel of B pillar
 => ["5.2 Removing and installing B-pillar trim panel", page 98](#) .
- Unscrew the screw -1- (40 Nm) and release the belt deflection fitting -2- from the seat belt height adjustment.



- Screw out screw -1- (20 Nm) and remove the seat belt height adjuster -2- from the supports in the support panel.

Installing

- Installation is carried out in the reverse order.



Protected by copyright. Copying for private or commercial purposes, in part or in whole, without the written permission of ŠKODA AUTO A. S. ŠKODA AUTO A. S. does not guarantee or accept any liability for the accuracy or completeness of the information in this document. Copyright by ŠKODA

1.8 Removing and installing the front seat belt buckle

Removing

- Remove front seat
 => ["1.1 Removing and installing front seat", page 118](#) .
- Remove screw -2- (40 Nm).



- Remove seat belt buckle -1-.



Note

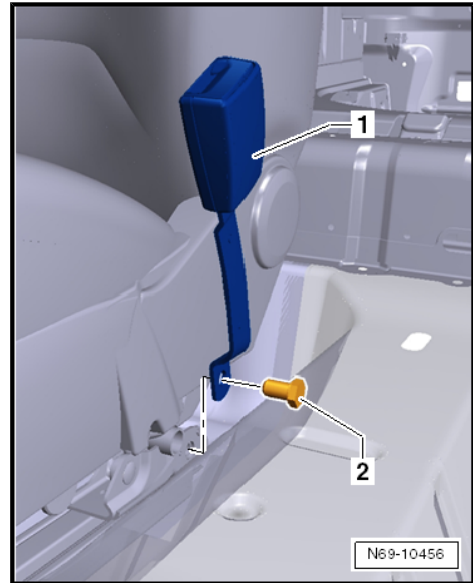
- ◆ *The screw -2- is microencapsulated and must be replaced each time it has been released.*
- ◆ *Before installing the new screw, the thread of the corresponding nut must be cleaned.*

Installing

- Installation is carried out in the reverse order.

Removing on vehicles with automatic seatbelt detection

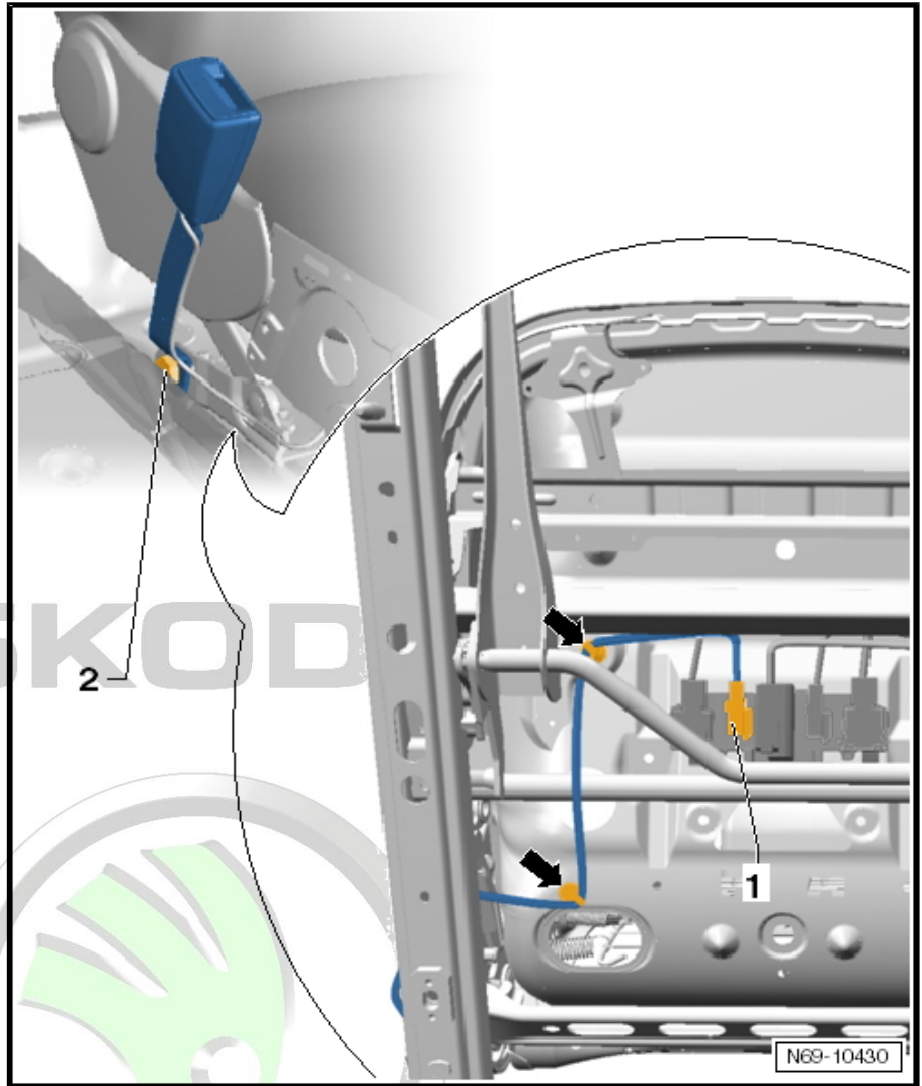
- Remove front seat
⇒ [“1.1 Removing and installing front seat”, page 118](#) .
- Remove the plug -1- from the connector station below the seat.
- Unclip the wiring loom attachments -arrows- from the seat rack.
- Remove screw -2- (40 Nm).



Note

- ◆ *The screw is microencapsulated and must be replaced each time it has been released.*
- ◆ *Before installing the new screw, the thread of the corresponding nut must be cleaned.*





i Note

◆ The screw -2- is microencapsulated and must be replaced each time it has been released.

◆ Before installing the new screw, the thread of the corresponding nut must be cleaned.

Installing

– Installation is carried out in the reverse order.

1.9 Removing and installing the rear seat belt buckle

Removing

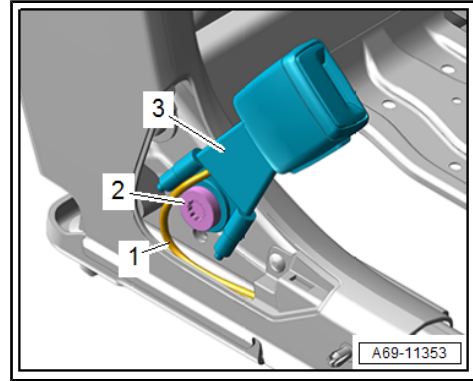
- Remove rear seat
⇒ [“2.2 Removing and installing the rear seat bench / individual seats”, page 130](#) .
- Rear seat belts buckles are attached to the seat frame.



- Disconnect electrical plug connection -1- of the belt switch.
- Remove screw -2- (40 Nm).
- Remove the belt buckle - 3 - with belt end fitting.

Installing

Installation is carried out in the reverse order.



ŠKODA



Protected by copyright. Copying for private or commercial purposes, in part or in whole, is not permitted unless authorised by ŠKODA AUTO A. S. ŠKODA AUTO A. S. does not guarantee or accept any liability with respect to the correctness of information in this document. Copyright by ŠKODA AUTO A. S. ©

2 Inspect seat belts

⇒ [“2.1 Test sequence”, page 37](#) .

⇒ [“2.2 Special instructions for the belt tensioner”, page 40](#) .

⇒ [“2.3 Storage, transport and disposal of airbag, belt tensioner and battery separation units \(pyrotechnical components\)”, page 40](#) .

2.1 Test sequence

⇒ [“2.1.1 Checking the seat belt”, page 37](#)

⇒ [“2.1.2 Check automatic belt retractor - locking effect.”, page 38](#)

⇒ [“2.1.3 Seat belt buckle - visual inspection”, page 39](#)

⇒ [“2.1.4 Seat belt buckle - functional check”, page 39](#)

⇒ [“2.1.4 Seat belt buckle - functional check”, page 39](#)

⇒ [“2.1.5 Checking deflection fitting and buckle latch”, page 39](#)



WARNING

The seat belt system must be inspected systematically after every accident! If one of the inspection points reveals any damage inform the customer that the seat belts must be replaced.

Check seat belt.

Check automatic belt retractor - locking effect.

Seat belt buckle - visual inspection.

Seat belt buckle - functional check.

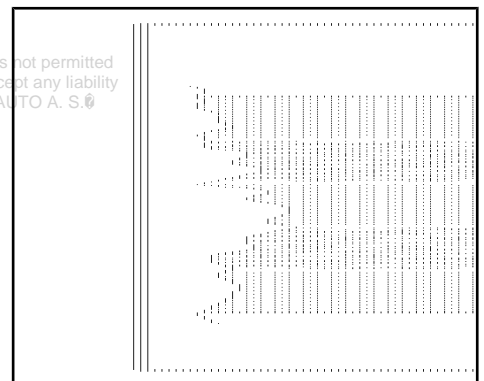
Check deflection fittings and buckle latch.

Check fixing parts and fixing points.

2.1.1 Checking the seat belt

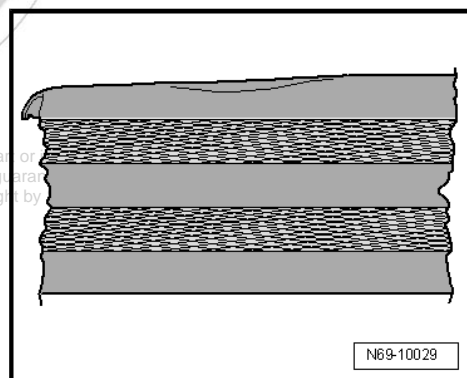
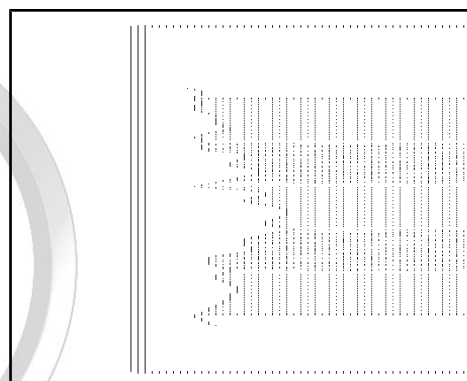
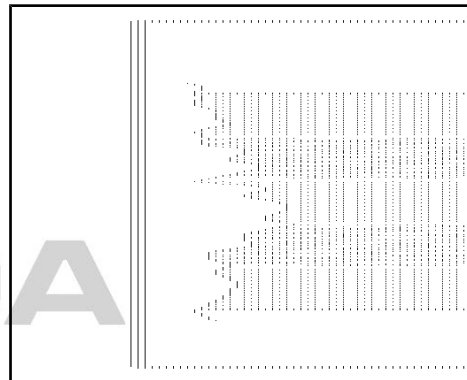
- Completely unreel the seat belt from the automatic belt retractor or from the lap belt adjusting strip.
- Check the seat belt for dirt, if necessary wash it with mild soapy water ⇒ Owner's manual .

Protected by copyright. Copying for private or commercial purposes, in part or in whole, is not permitted unless authorised by ŠKODA AUTO A. S. ŠKODA AUTO A. S. does not guarantee or accept any liability with respect to the correctness of information in this document. Copyright by ŠKODA AUTO A. S. ©





ŠKODA



- If damage is detected (case 1 and 2) on a vehicle which has been involved in an accident (as shown below) - replace the seat belt together with the belt buckle.
- If damage is detected on a vehicle which has not been involved in an accident, as shown under point 1, 2, 3 and/or 4, it is only necessary to exchange the damaged seat belt.
- 1) - Seat belt cut, torn or chafed.
- 2) - Torn fraying on the edge of the belt.
- 3) - Cigarette burns.
- 4) - Belt edge deformed or warped.

2.1.2 Check automatic belt retractor - locking effect.

The automatic belt retractor has 2 locking functions.

- ◆ The first locking function is activated when the belt is drawn rapidly out of the automatic belt retractor (belt withdrawal acceleration).

Checking

- Draw the seat belt out of the automatic belt retractor with a sudden sharp pull.
- No locking effect - replace seat belt together with buckle.
- First check whether the belt feeds out and retracts smoothly, and whether the position of the inertia reel has changed.
- The second locking function is activated by a change in the vehicle's motion (vehicle-dependent locking function). Thus, the vehicle must be moved on a level surface.

Checking

- Put on seat belt.

- Accelerate to 20 km/h and perform a full brake with the brake pedal.
- If the locking mechanism does not lock the belt when the brakes are applied, replace the seat belt together with the buckle.



WARNING

For safety reasons, carry out this test on a section of road with no traffic so as not to endanger other road users.

2.1.3 Seat belt buckle - visual inspection

- Check belt buckle for fractures and flaking.
- In case of damage, the seat belt and the belt buckle must be replaced.

2.1.4 Seat belt buckle - functional check

Checking seat belt buckle:

- Insert buckle latch in the belt buckle until there is an audible click. Check whether the locking mechanism engages, by tugging forcefully on the seat belt.
- If the buckle latch fails to lock into the buckle even once out of at least five tests, replace the seat belt together with the buckle.

Check buckle release:

- Release seat belt by pressing the seat belt buckle button.
- If the belt is loose, the latch must eject independently from the belt buckle.
- Test at least 5 times. If the buckle latch fails to eject even once, replace the seat belt together with the buckle.



WARNING

Never use lubricants to eliminate noises or to smoothen the operation of the buttons on seat buckles.

2.1.5 Checking deflection fitting and buckle latch

When the belt system is burdened (seat belt attached in an accident) plastic-coated fittings will display fine parallel score marks. (Normal wear and tear due to frequent use is recognisable by smooth, even wear, without scoring.)

- Check the plastic for deformation, flakings and crackings.
- In the event of scoring and/or damage replace seat belt together with buckle.

2.1.6 Checking fixings and fixing points

- ◆ Buckle tongue deformed (stretched).
- ◆ Fixing points (seat, pillar, underfloor) warped, or thread damaged.
- If the parts are damaged replace seat belt together with buckle.



- Replace fixing points.

**Note**

If damage has occurred that is not due to an accident, but is the result, for example, of normal wear and tear, it is only necessary to replace the damaged part.

2.2 Special instructions for the belt tensioner

**WARNING**

- ◆ *The open end of a belt tensioner must never be pointed towards people.*
- ◆ *Handle the seat belt tensioner units with great care when removing and installing. A high risk and injury potential exists through rough improper handling of seat belt tensioner units.*
- ◆ *When connecting the seat belt tensioner units, all mechanical parts including the parts of the three point seat belt, must be correctly secured. If it is not possible to connect the seat belt tensioner unit because there is not enough space, the seat belt must be fully rolled up before connecting. In this case, there is no increased safety risk if further safety measures are observed and respected. These include mainly disconnecting the battery and the electrostatic discharge of the mechanic before connecting the seat belt tensioner unit.*
- ◆ *Depending on the accident, it may be possible that the belt tensioner was ignited, the belt force limiter, however, was NOT ignited. These components are handled in the same way as non-ignited components!*

2.3 Storage, transport and disposal of airbag, belt tensioner and battery separation units (pyrotechnical components)

**WARNING**

- ◆ *The storage is subject to the respective national legislation.*
- ◆ *The transport is subject to national and international legislation, in which packaging, marking, labeling, and accompanying documents are regulated in detail.*
- ◆ *Non-ignited pyrotechnical components must be discarded in the original packaging in compliance with the applicable disposal procedure according to the national legislation! In case you have any questions, please contact your importer.*
- ◆ *Only fully ignited pyrotechnical components may be disposed of as industrial waste.*

3 Airbag system

⇒ [“3.1 Installation location overview - airbag system”, page 41](#)

⇒ [“3.2 General safety instructions”, page 43](#)

⇒ [“3.3 Additional safety instructions for head airbag”, page 44](#)

⇒ [“3.4 Storage, transport and disposal of airbag, belt tensioner and battery separation units \(pyrotechnical components\)”, page 45](#)

⇒ [“3.5 Exchanging pyrotechnical, mechanical and electrical components of the restraint system after an accident”, page 45](#)

3.1 Installation location overview - airbag system

1 - Front passenger side airbag warning light off .

2 - Airbag warning light .

- Integrated in the dash panel insert.
- Not replaceable individually.
- Install and remove dash panel insert ⇒ Electrical system; Rep. gr. 90 ; Dash panel insert; Removing and installing dash panel insert - KX2- .

3 - Key operated switch to deactivate front passenger side airbag .

- Removing and installing ⇒ [“6.3 Removing and installing key-operated switch for deactivating the front passenger side airbag”, page 54](#) .

4 - Airbag front passenger side

- With ignition 1 for airbag front passenger side .
- Blocking and activation via key switch for deactivation of front passenger side airbag possible.

5 - Side airbag, front passenger side

- With ignition for side airbag passenger side .

6 - Side airbag rear front passenger side

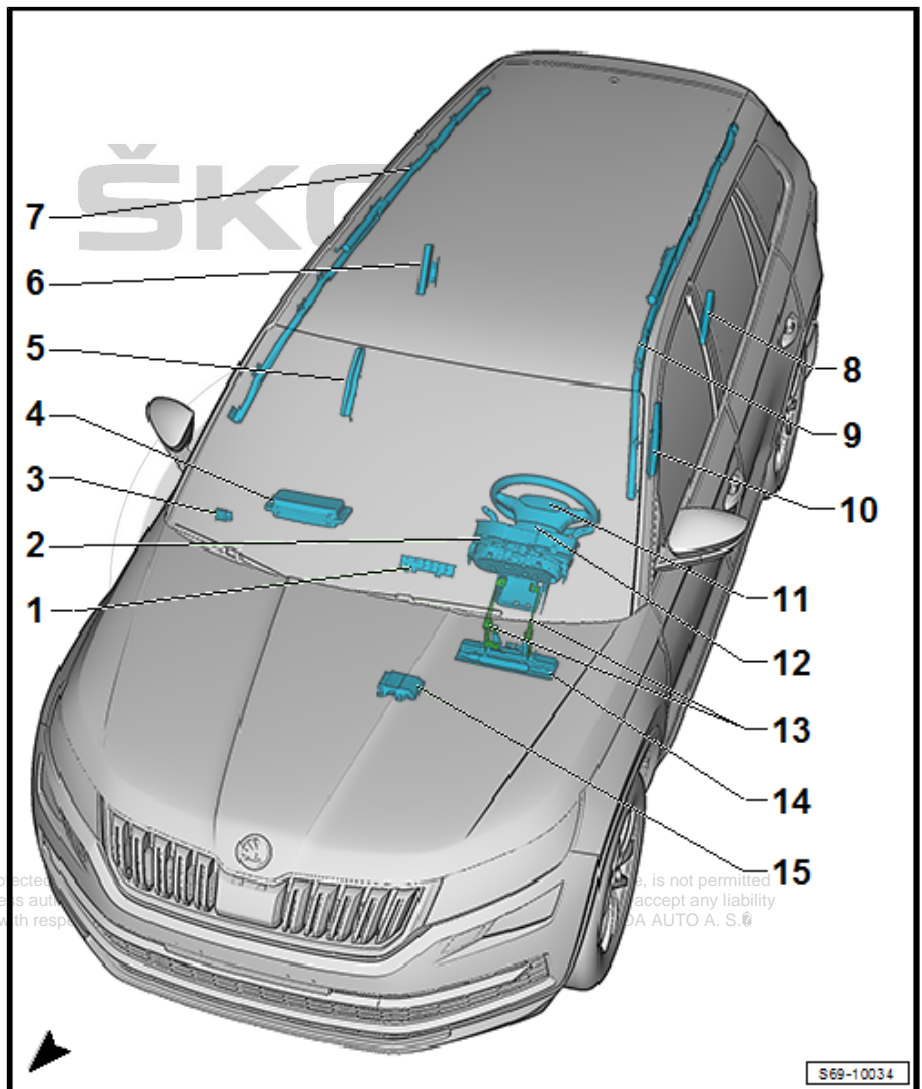
- With ignition for side airbag rear passenger side .

7 - Head airbag

- With ignition for head airbag .

8 - Side airbag rear driver's side

- With ignition for side airbag rear driver's side .



**9 - Head airbag driver's side**

- With ignition for head airbag driver's side .

10 - Side airbag, front driver's side

- With ignition for side airbag driver's side .

11 - Knee airbag driver's side

- With ignition for airbag driver's side .

12 - Steering column electronics control unit .

- With coil spring for the airbag and restoring ring with slip ring .
- Summary of components ⇒ Electrical System; Rep. gr. 94 ; Switch unit on the steering column; Summary of components - Switch unit on the steering column

13 - Mounting bracket for knee airbag driver's side**14 - Knee airbag driver's side**

- With ignition for knee airbag driver's side .

15 - Airbag control unit - J234- .

ŠKODA



Protected by copyright. Copying for private or commercial purposes, in part or in whole, is not permitted unless authorised by ŠKODA AUTO A. S. ŠKODA AUTO A. S. does not guarantee or accept any liability with respect to the correctness of information in this document. Copyright by ŠKODA AUTO A. S. ©

3.2 General safety instructions



WARNING

- ◆ *Inspection, removal and installation and repair work must only be carried out by properly qualified personnel.*
- ◆ *Only work described in this Workshop Manual must be carried out. It is absolutely prohibited to disassemble the airbag units.*
- ◆ *The fuel contained in pyrotechnical components is burned, which produces gases. Furthermore, certain embodiments contain compressed gas which is used for the gas production.*
- ◆ *This compressed gas is stored in a highly pressurised pressure gas tank.*
- ◆ *The ignition of pyrotechnical components is carried out by means of electrical/mechanical igniters.*
- ◆ *There are no change intervals for the airbag units.*
- ◆ *Under no circumstances use a test lamp, voltmeter or ohmmeter for testing.*
- ◆ *Pyrotechnical components should only be checked when installed and with a manufacturer-specified vehicle diagnosis, measurement and information system.*
- ◆ *When working on pyrotechnical components and on the airbag control unit - J234- , the earth strap of the battery must be disconnected once the ignition is switched on. Subsequently cover the negative terminal.*
- ◆ *After disconnecting the battery it is essential to wait 1 minute.*
- ◆ *SWITCH ON the ignition before connecting the battery. Nobody should be in the vehicle when the battery is connected. Exception: vehicles with the battery located in the vehicle interior. In this case, you must not be in the range of influence of the airbags and seat belts.*
- ◆ *If the vehicle is equipped with the Kessy system, the ignition should only be switched on after connecting the battery using the ⇒ Vehicle diagnostic tester outside the vehicle cockpit (the valid ignition key must be inside the vehicle) for safety reasons. This procedure is part of the test in the targeted fault finding.*
- ◆ *Wash your hands after touching the ignited pyrotechnical components of the restraint system.*
- ◆ *Pyrotechnical components must not be opened or repaired; always use new parts (risk of injury).*
- ◆ *Pyrotechnical components, which are damaged, must not be re-installed.*
- ◆ *Defective airbag units of the airbag system which have not been ignited must be returned for disposal to a specialist company or to the importer in accordance with the instructions of PST and environmental protection regulations. The prescribed transport packaging must be used.*
- ◆ *Pyrotechnical components, which have fallen on a hard surface, must not be re-installed.*



- ◆ *Before handling pyrotechnical components of the restraint system, for example, disconnecting the electrical plug connection, the mechanic must discharge himself electrostatically. The electrostatic discharge is achieved by touching grounded metal parts, for example, by briefly touching the door closing mechanism.*
- ◆ *Pyrotechnical components should be installed immediately after being removed from the transport container.*
- ◆ *If work is interrupted, place the pyrotechnical components back in the transport container.*
- ◆ *It is not permitted to leave the pyrotechnical component unattended.*
- ◆ *Pyrotechnical components should not be treated with grease, cleaning agents or similar products.*
- ◆ *Pyrotechnical components should not be exposed to temperatures above 100 °C, not even for short periods.*
- ◆ *Driver and front passenger airbag units in an unmounted condition are to be deposited with the impact absorber towards the top.*

3.3 Additional safety instructions for head airbag

- ◆ Before each installation, carry out a visual inspection of the trim panels for damage.
- ◆ Always replace damaged trim panels of pillars - never try to mend them.
- ◆ When installing, make sure the trim panels are firmly seated.
- ◆ When carrying out repairs behind the airbag, always remove the entire module.
- ◆ Handle head airbags very carefully when removing and installing to rule out damage.
- ◆ Place the removed head airbags into the transport container or on a clean, level surface with a cover underneath.
- ◆ After making repairs to the body, check the body in the region of the head airbag for welding splatter, deformations and abrasions (compare opposite sides).
- ◆ If the gas generator is NOT screwed on, hold it firmly during the whole work (transport, removal and installation, etc.).
- ◆ Never turn, wind, kink, throw, hurl, pull, suspend, crush, press, pinch or clamp the head airbags.
- ◆ You may fold them when this does not cause any damage (especially the protective wrapper).

3.4 Storage, transport and disposal of air-bag, belt tensioner and battery separation units (pyrotechnical components)



WARNING

- ◆ *The storage is subject to the respective national legislation.*
- ◆ *The transport is subject to national and international legislation, in which packaging, marking, labeling, and accompanying documents are regulated in detail.*
- ◆ *Non-ignited pyrotechnical components must be discarded in the original packaging in compliance with the applicable disposal procedure according to the national legislation! In case you have any questions, please contact your importer.*
- ◆ *Only fully ignited pyrotechnical components may be disposed of as industrial waste.*

3.5 Exchanging pyrotechnical, mechanical and electrical components of the restraint system after an accident

Accident with deployment of airbag



Note

"Compulsory registration before repair" Note regarding deployment of airbag and non-deployment of airbag in the ⇒ Technical Service Handbook

Copying for private or commercial purposes, in part or in whole, is not permitted without the written permission of ŠKODA AUTO A. S. ŠKODA AUTO A. S. does not guarantee or accept any liability with respect to the correctness of information in this document. Copyright by ŠKODA AUTO A. S.

Elsa ⇒

Technical Service Handbook

Technical product information ⇒

Body/equipment ⇒

Operation ⇒

Occupant protection ⇒

Airbag fire accident (safety relevant inquiry-registration documents) ⇒

Systems

The following parts must, in principle, be replaced by new original parts only:

- ◆ Central control unit for the airbag system¹⁾.
- ◆ Airbag unit on the driver's side ²⁾.
- ◆ Airbag unit on the front passenger's side ²⁾.
- ◆ Side airbag unit on the driver's side ²⁾.
- ◆ Side airbag unit on the front passenger's side ²⁾.
- ◆ Seat covering ³⁾.
- ◆ Head airbag driver's side ²⁾.



- ◆ Head airbag front passenger's side²⁾.
- ◆ Top trim panel of A pillar⁴⁾.
- ◆ Top trim panel of B pillar⁴⁾.
- ◆ Top trim panel of C pillar⁴⁾.
- ◆ Headlining⁴⁾.
- ◆ Restoring ring with slip ring⁵⁾.
- ◆ Driver seat belt tensioner with seat belt²⁾.
- ◆ Front passenger seat belt tensioner with seat belt²⁾.
- ◆ Seat belt tensioners with seat belts for the rear seats²⁾.

1) If the front and side airbag unit or head airbag unit and seat belt tensioner have ignited, the control unit may be used again - up to three times.

2) In the event of ignition.

3) In the event of ignition of the side airbag unit.

4) In the event of ignition of the head airbag unit.

5) In the event of ignition of the driver airbag unit.

Replace all damaged parts if necessary (visual inspection) with new original parts.

After the control unit and other damaged parts have been replaced the control unit must be encoded again.

Accident without deployment of airbag

- ◆ If the airbag control indicator (K 75) is displaying no errors and no airbag system parts are damaged, it is not necessary to replace airbag components. **Seat belts in particular must be examined.**
- unless authorised by ŠKODA AUTO A. S. ŠKODA AUTO A. S. does not guarantee or accept any liability with respect to the correctness of information in this document. Copyright by ŠKODA AUTO A. S. ©

Registering parts of the airbag system.

If any part of the airbag system is replaced with new, original parts, the self-adhesive labels with the number must be removed and stuck onto the registration card, part number 000 010 100 A, and sent for registration to the customer service network (national sales) or the importer (other countries):

- ◆ Central control unit for airbag system
- ◆ Airbag unit driver's side
- ◆ Airbag unit front passenger's side
- ◆ Side air bag unit, driver's side, with seat covering.
- ◆ Side air bag unit, front passenger's side, with seat covering.
- ◆ Acceleration sensor for side impact, driver's side
- ◆ Acceleration sensor for side impact, front passenger's side
- ◆ Pressure sensor for side impact, driver's side
- ◆ Pressure sensor for side impact, front passenger's side
- ◆ Acceleration sensor for front collision at the lock carrier in the engine compartment.
- ◆ Head airbag driver's side
- ◆ Head airbag
- ◆ Moulded headliner for head airbag

4 Airbag control unit

⇒ [“4.1 Removing and installing the airbag control unit J234”](#), page 47

⇒ [“4.2 After replacement, configure the control unit”](#), page 48

4.1 Removing and installing the airbag control unit - J234-



WARNING

When working on the airbag control unit, observe the general safety instructions.

Removing

- Remove the centre console trim panel
⇒ [“3.2 Removing and installing centre console trim in front footwell”](#), page 9 .
- Disconnect vehicle battery ⇒ Electrical system; Rep. gr. 27 ; Battery; Disconnecting and connecting the battery .
- Unlock the locking mechanism from the plug -1- starting from the footwell on the front passenger side.
- Disconnect plug -1- from control unit.

- Release nuts -1- (9 Nm).



Note

To provide a better overview, the adjoining components are only partially shown in the illustration.

- Take the control unit -2- out of the vehicle.

Installing

- Installation is carried out in the reverse order.

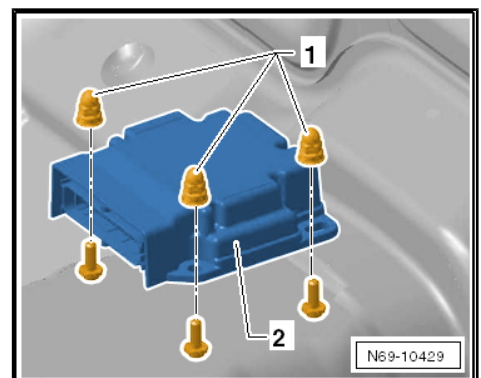
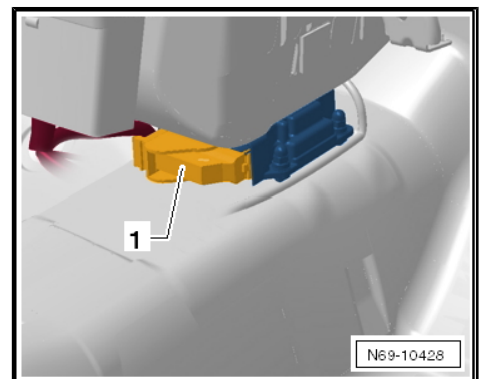
- Switch on ignition.



WARNING

Make sure no person is present in the vehicle.

- Connect vehicle battery ⇒ Electrical system; Rep. gr. 27 ; Battery; Disconnecting and connecting the battery .
- If the control unit has been replaced, it must be configured and coded again.





4.2 After replacement, configure the control unit

Special tools and workshop equipment required

- ◆ Vehicle diagnosis, measurement and information system - VAS- with corresponding diagnostic cable ⇒ Vehicle diagnostic tester.
- ◆ Diagnostic cable .

After replacing the control unit for the airbag and carrying out the automatic test sequence using the ODIS program in the tab "Test plan", select the suggested test "Code control unit for airbag" (follow the in-test instructions) or select the following procedure:

- In the " Test plan " tab, press " Select self-test " .
- Select "Body".
- Select "Assembly work on the body".
- Select "01 - Self-diagnosable systems".
- " "Select "0015 - airbag J234".
- " "Select "0015 - airbag, function".
- " "Select "0015 - Replace control unit " .

ŠKODA



Protected by copyright. Copying for private or commercial purposes, in part or in whole, is not permitted unless authorised by ŠKODA AUTO A. S. ŠKODA AUTO A. S. does not guarantee or accept any liability with respect to the correctness of information in this document. Copyright by ŠKODA AUTO A. S. ©

5 Airbag on driver side

⇒ [“5.1 Summary of components - Airbag on driver side”, page 49](#)

⇒ [“5.2 Removing and installing airbag on driver side with igniter”, page 50](#)

⇒ [“5.3 Removing and installing restoring ring with slip ring \(coil spring\)”, page 51](#)

5.1 Summary of components - Airbag on driver side

1 - Catch for the airbag unit

2 - Restoring ring with slip ring

3 - Steering wheel

Removing

- Removing and installing ⇒ Chassis, axles, steering; Rep. gr. 48 ; Steering wheel; removing and installing steering wheel .

4 - Screw

- Tightening torque ⇒ Chassis, axles, steering; Rep. gr. 48 ; Steering wheel; removing and installing steering wheel .

5 - Connector

6 - Airbag unit

- Removing and installing ⇒ [“5.2 Removing and installing airbag on driver side with igniter”, page 50](#) .

7 - Multi-functional steering wheel

Removing

- Removing and installing ⇒ Chassis, axles, steering; Rep. gr. 48 ; Steering wheel; removing and installing steering wheel .

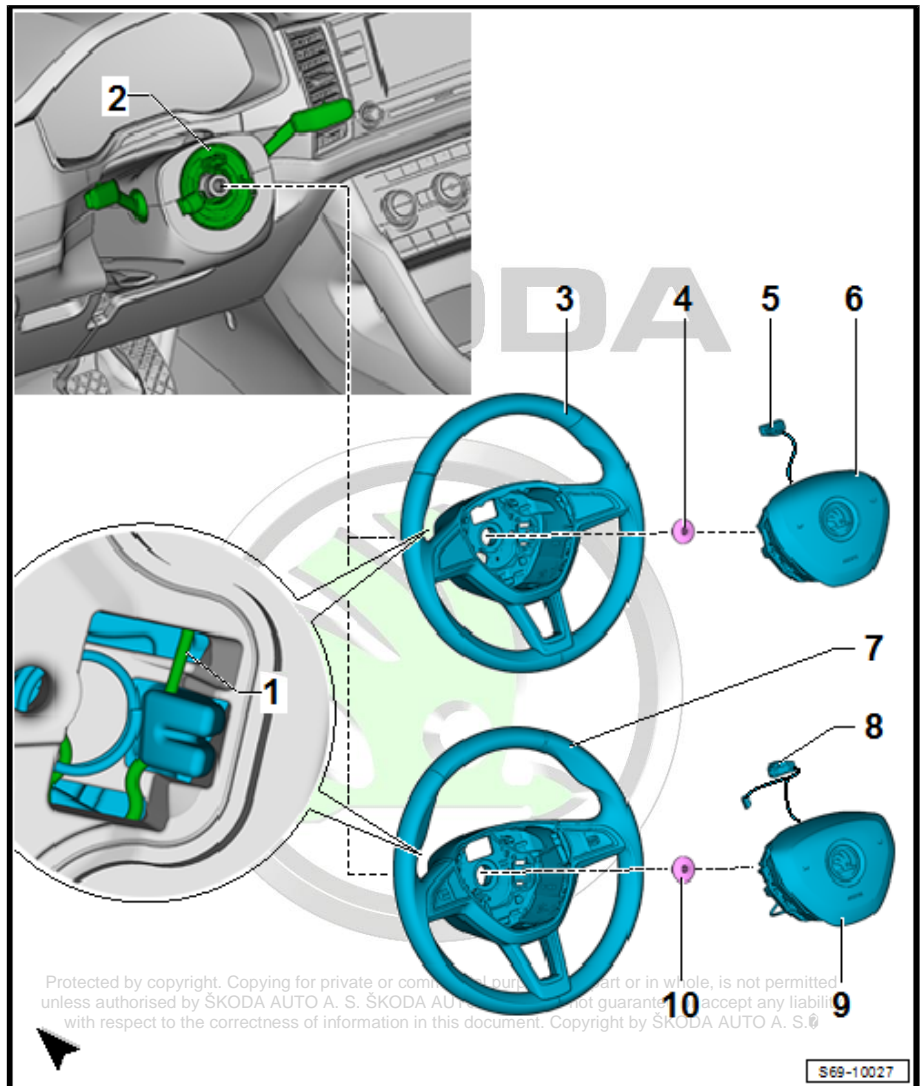
8 - Connector

9 - Airbag unit

- Removing and installing ⇒ [“5.2 Removing and installing airbag on driver side with igniter”, page 50](#) .

10 - Screw

- Tightening torque ⇒ Chassis, axles, steering; Rep. gr. 48 ; Steering wheel; removing and installing steering wheel .





5.2 Removing and installing airbag on driver side with igniter

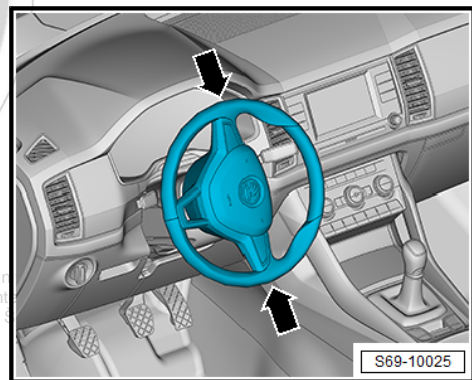


WARNING

Observe the general safety instructions
 ⇒ "3.2 General safety instructions", page 43.

Removing

- With ignition switched off, disconnect battery earth strap ⇒ Electrical system; Rep. gr. 27 ; Battery; Disconnecting and connecting battery .
- Put steering wheel in the lowest position.
- Pull out steering wheel fully up to the limit stop.
- Turn steering wheel until one of the holes -arrows- is located at the top.



Protected by copyright. Copying for private or commercial purposes, in part or in full, is prohibited unless authorised by ŠKODA AUTO A. S. ŠKODA AUTO A. S. does not guarantee the accuracy of information with respect to the correctness of information in this document. Copyright by ŠKODA AUTO A. S.

- Lever off the catch using a screwdriver (max. total length of the screwdriver approx. 170 mm, width approx. 5 mm) in -direction of arrow-.

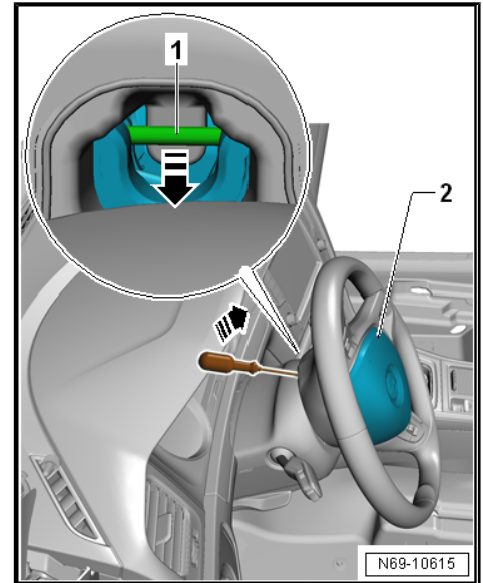
i Note

When unhooking the spring, push away airbag unit from steering wheel.

- Repeat process for the second spring.
- Carefully remove unit -2- from steering wheel.
- Disconnect plug (depending upon vehicle equipment).
- Lay aside the airbag unit in such a way that the impact absorber points upwards.

Installing

- Connect plug (depending upon vehicle equipment).
- Clip unit onto steering wheel. The catches must audibly lock into the springs.
- Switch on ignition.



WARNING

Nobody should be in the vehicle when the battery is being connected.

Observe the work procedure for disconnecting the battery → Electrical system; Rep. gr. 27 ; Battery; Disconnecting and connecting the battery .

i Note

If the airbag control indicator - K75 - indicates a fault after assembly, the event memory must be queried → Vehicle diagnostic tester.

5.3 Removing and installing restoring ring with slip ring (coil spring)

- Removing and installing → Electrical system; Rep. gr. 94 ; Switch unit on the steering column; Summary of components - switch unit on the steering column .

6 Airbag front passenger side

⇒ "6.1 Summary of components - Airbag on front passenger side", page 52

⇒ "6.2 Removing and installing airbag unit on front passenger side with igniter", page 52

⇒ "6.3 Removing and installing key-operated switch for deactivating the front passenger side airbag", page 54

6.1 Summary of components - Airbag on front passenger side

1 - Bracket for front passenger airbag

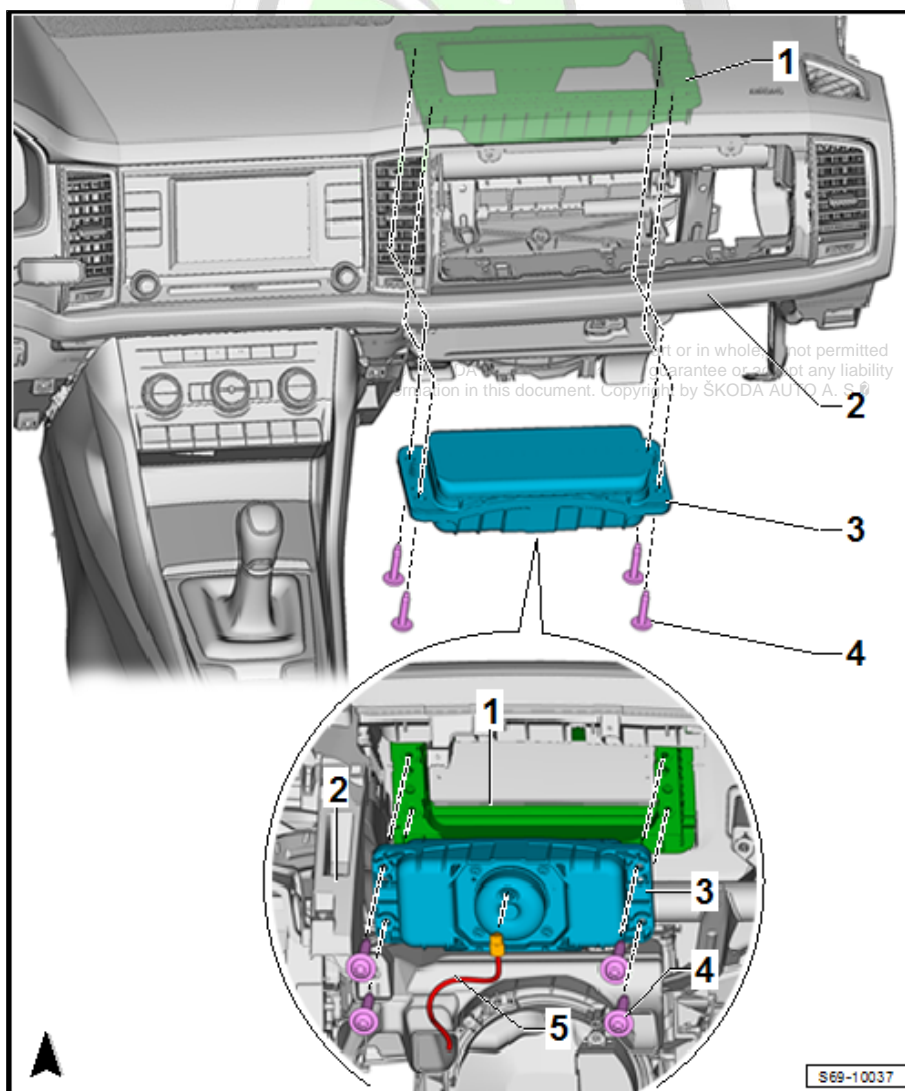
2 - Dash panel

3 - Airbag unit front passenger's side

4 - Screw

□ 8 Nm.

5 - Airbag connector



6.2 Removing and installing airbag unit on front passenger side with igniter

Removing



WARNING

- ◆ *Observe the general safety instructions*
 ⇒ "3.2 General safety instructions", page 43.

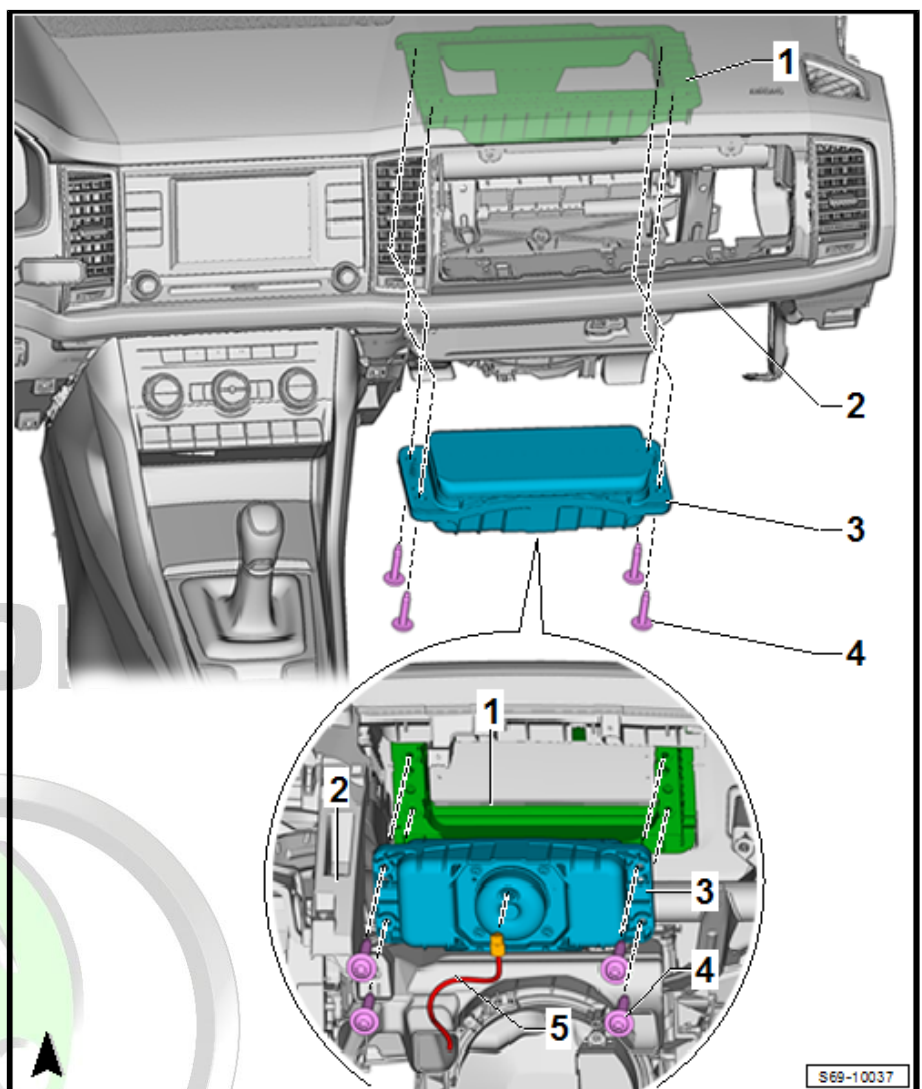
Carry out the following tasks



WARNING

When electrostatic discharges occur, there is a risk of the airbag being activated unintentionally. Therefore, the mechanic must discharge himself electrostatically before separating the ignition and earth lead. This occurs, for example, by briefly touching the body or the door closing mechanism.

- Disconnect vehicle battery => Electrical system; Rep. gr. 27 ; Battery; Disconnecting and connecting the battery .
- Remove the glove compartment from the dash panel
=> ["1.3 Removing and installing the glove compartment", page 2](#) .



- Disconnect the plug -5- from the airbag unit -3-.
- Unscrew screws -4-.
- Take the airbag unit -3- out of the vehicle.



Installing

- Installation is carried out in the reverse order.
- Switch on ignition.



WARNING

Make sure no person is present in the vehicle.

- Connect vehicle battery ⇒ Electrical system; Rep. gr. 27 ; Battery; Disconnecting and connecting the battery .



Note

If the airbag control indicator - K75 - indicates a fault after assembly, the event memory must be queried ⇒ Vehicle diagnostic tester.

6.3 Removing and installing key-operated switch for deactivating the front passenger side airbag



WARNING

When working on the airbag, observe the general safety instructions ⇒ "3.2 General safety instructions", page 43 .

Removing

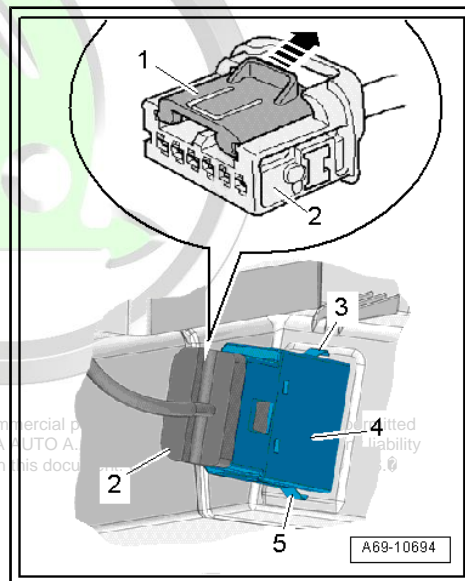
- Switch off ignition.
- Remove side dash panel cover ⇒ ["3.3 Removing and installing the dash panel", page 82](#) .
- Press the detention ring - 1 - in - direction of arrow - until the plug connection is released.
- Unplug connector -2-.
- Unlock the retaining springs - 3 - and - 5 -.
- Press out the key switch for switching off the airbag - 4 - from the key-operated housing.

Installing



Note

- ◆ ***Make sure the plug connection is plugged in as far as it can go and audibly clicks into place.***
- ◆ ***Make sure that the cables are not trapped.***
- Make sure that the key switch for deactivation of airbag on front passenger side clicks audibly into position in the housing.



7 Side airbags

⇒ [“7.1 Summary of components - front side airbag”, page 55](#)

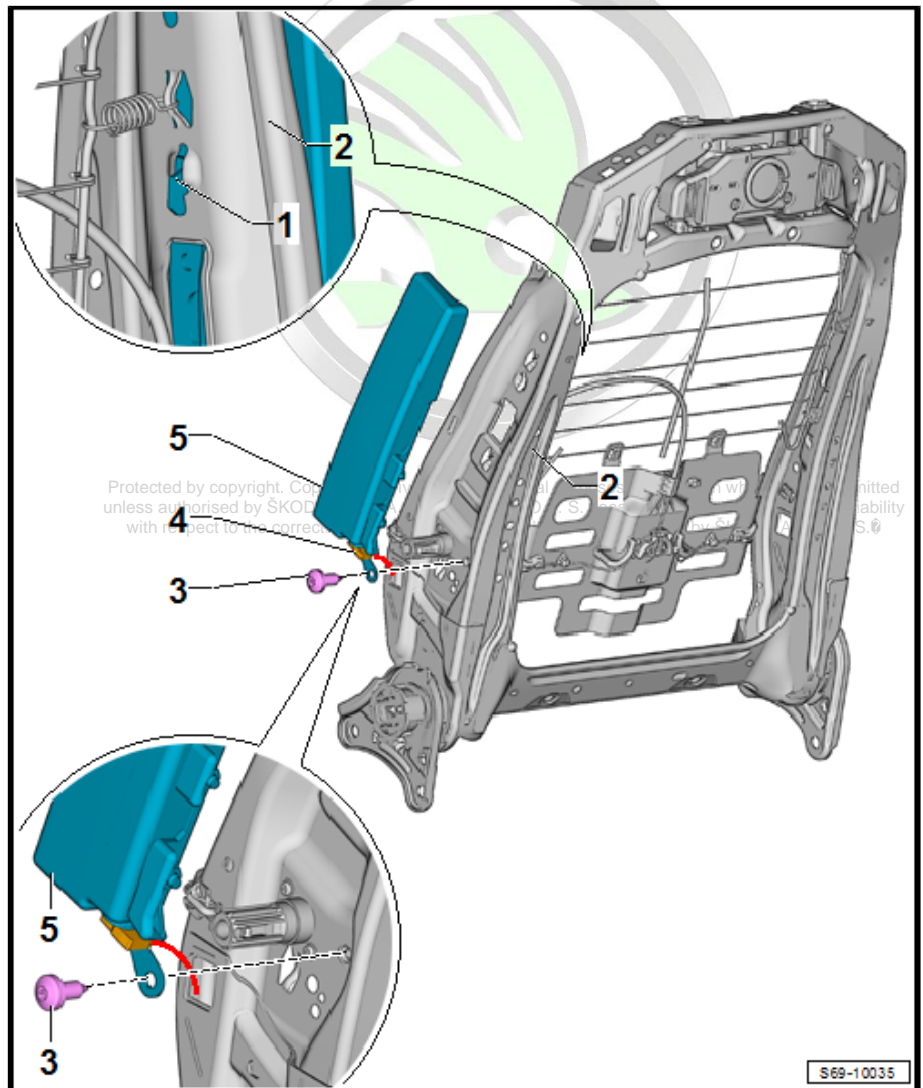
⇒ [“7.2 Summary of components - side airbag rear”, page 56](#)

⇒ [“7.3 Removing and installing front side airbag with igniter”, page 56](#)

⇒ [“7.4 Removing and installing rear side airbag with igniter”, page 58](#)

7.1 Summary of components - front side airbag

- 1 - Arrester
- 2 - Backrest rack
- 3 - Screw
□ 9 Nm.
- 4 - Airbag connector
- 5 - Side airbag





7.2 Summary of components - side airbag rear

1 - Side airbag rear

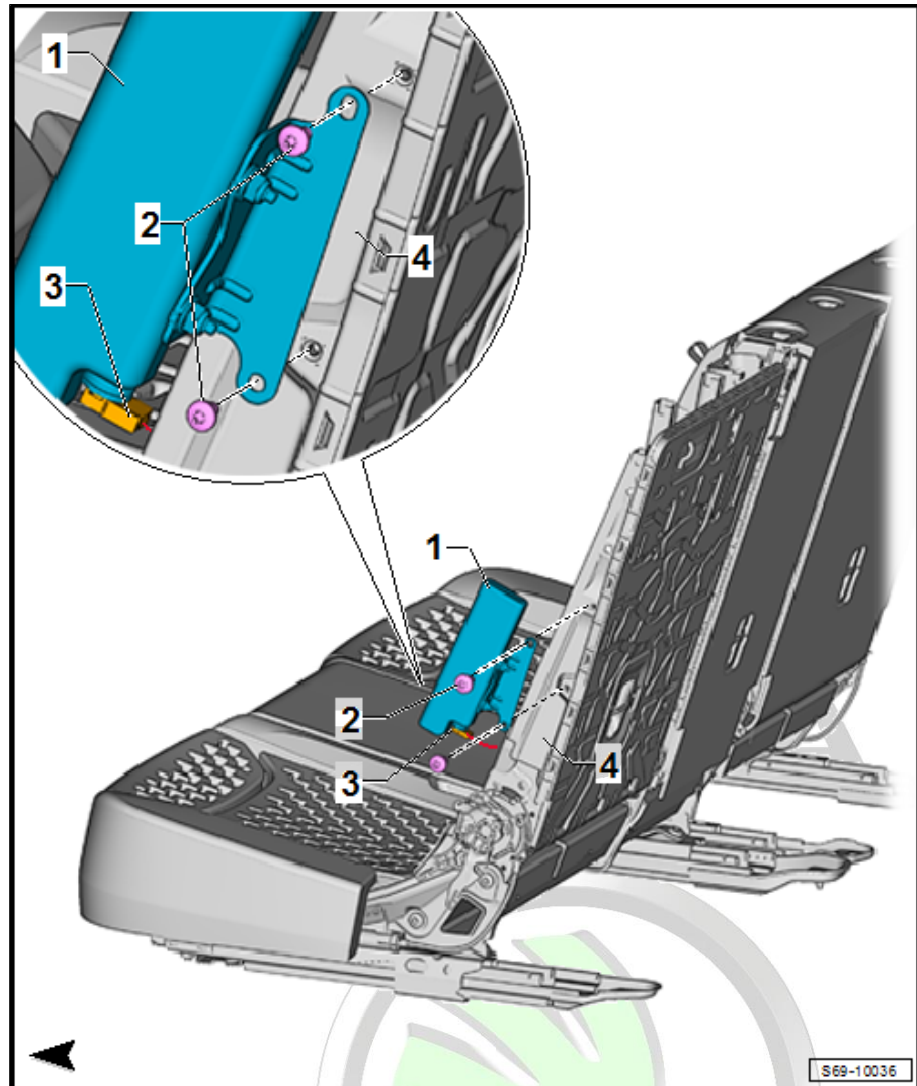
- ❑ Removing and installing
⇒ ["7.4 Removing and installing rear side airbag with igniter"](#), page 58 .

2 - Screw

- ❑ Tightening torque: 9 Nm.

3 - Connector

4 - Rear seat backrest seat rest rack



7.3 Removing and installing front side airbag with igniter



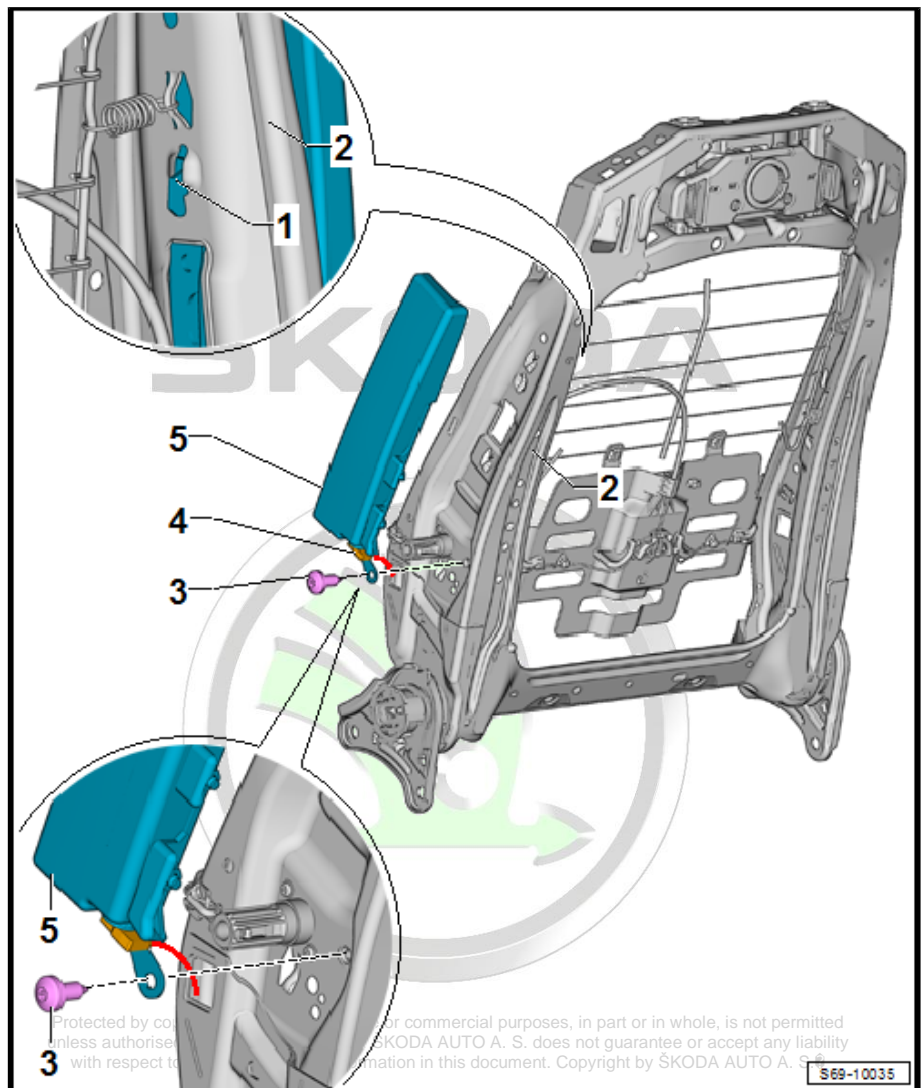
WARNING

- ◆ **Observe the general safety instructions**
⇒ ["3.2 General safety instructions"](#), page 43 .
- ◆ **Observe the disposal instructions for pyrotechnic components**
⇒ ["3.4 Storage, transport and disposal of airbag, belt tensioner and battery separation units \(pyrotechnical components\)"](#), page 45 .

Removing

- Remove front seat
⇒ ["1.1 Removing and installing front seat"](#), page 118 .

- Remove front seat backrest
⇒ ["1.7 Removing and installing the front backrest"](#),
[page 126](#) .
- Remove backrest cover
⇒ ["1.2 Removing and installing cover and backrest upholstery"](#), [page 140](#) .
- Disconnect plug connection -4- for side airbag unit -5-.
- Unscrew screw -3-.
- Unclip catch -1- for side airbag unit -5- from the seat rest rack -2-.
- Remove the airbag unit -5- from the seat rest rack -2-.





Installing



WARNING

- ◆ **Observe the general safety instructions**
⇒ **"3.2 General safety instructions", page 43** .
- ◆ **Prior to the handling of pyrotechnical components (for example, disconnecting the electrical plug connection) the person who carries out this operation must "discharge himself electrostatically". This occurs, for example, by briefly touching the body or the door closing mechanism.**

- Installation is carried out in the reverse order.
- Switch on ignition.



Note

- ◆ *Make sure the plug connection is pushed in as far as it can go and audibly clicks into place.*
- ◆ *Make sure that the electric cables are not trapped.*



WARNING

Switch on the ignition before connecting the battery. Improper handling of pyrotechnic components may lead to unwanted deployment after the battery has been connected. Nobody should be inside the vehicle when the battery is being connected.

- Work procedure for connecting the battery ⇒ Electrical system; Rep. gr. 27 ; Battery; Disconnecting and connecting the battery .



Note

If the airbag control indicator - K75 - indicates a fault after assembly, the event memory must be queried ⇒ Vehicle diagnostic tester.

7.4 Removing and installing rear side airbag with igniter

Removing



WARNING

When working on the airbags, observe the general safety instructions for working on airbag, belt tensioner and battery separation units (pyrotechnical components)
⇒ **"3.2 General safety instructions", page 43** .

- Turn off the ignition and disconnect the battery earth strap ⇒ Electrical System; Rep. gr. 27 ; Battery; Disconnecting and connecting the battery .

- Removing the rear seat bench
⇒ ["1.2 Removing and installing cover and backrest upholstery", page 140](#) .
- Disconnect airbag unit plug connector -3-.
- Unscrew screws -2-.
- Remove side airbag -1- from seat rest rack.

Installing

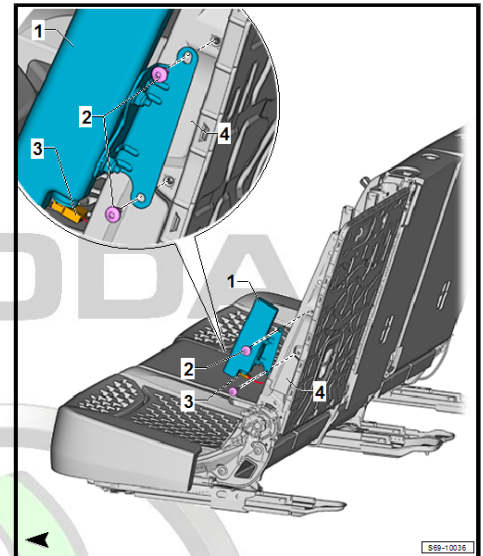
- Installation is carried out in the reverse order.
- Switch on ignition.



WARNING

Make sure no person is present in the vehicle.

- Connect vehicle battery ⇒ Electrical system; Rep. gr. 27 ;
Battery; Disconnecting and connecting the battery .



Protected by copyright. Copying for private or commercial purposes, in part or in whole, is not permitted unless authorised by ŠKODA AUTO A. S. ŠKODA AUTO A. S. does not guarantee or accept any liability with respect to the correctness of information in this document. Copyright by ŠKODA AUTO A. S. ©



8 Head airbags

⇒ "8.1 Summary of components - head airbag", page 60

⇒ "8.2 Removing and installing head airbag with igniter", page 61

8.1 Summary of components - head airbag

1 - Screw

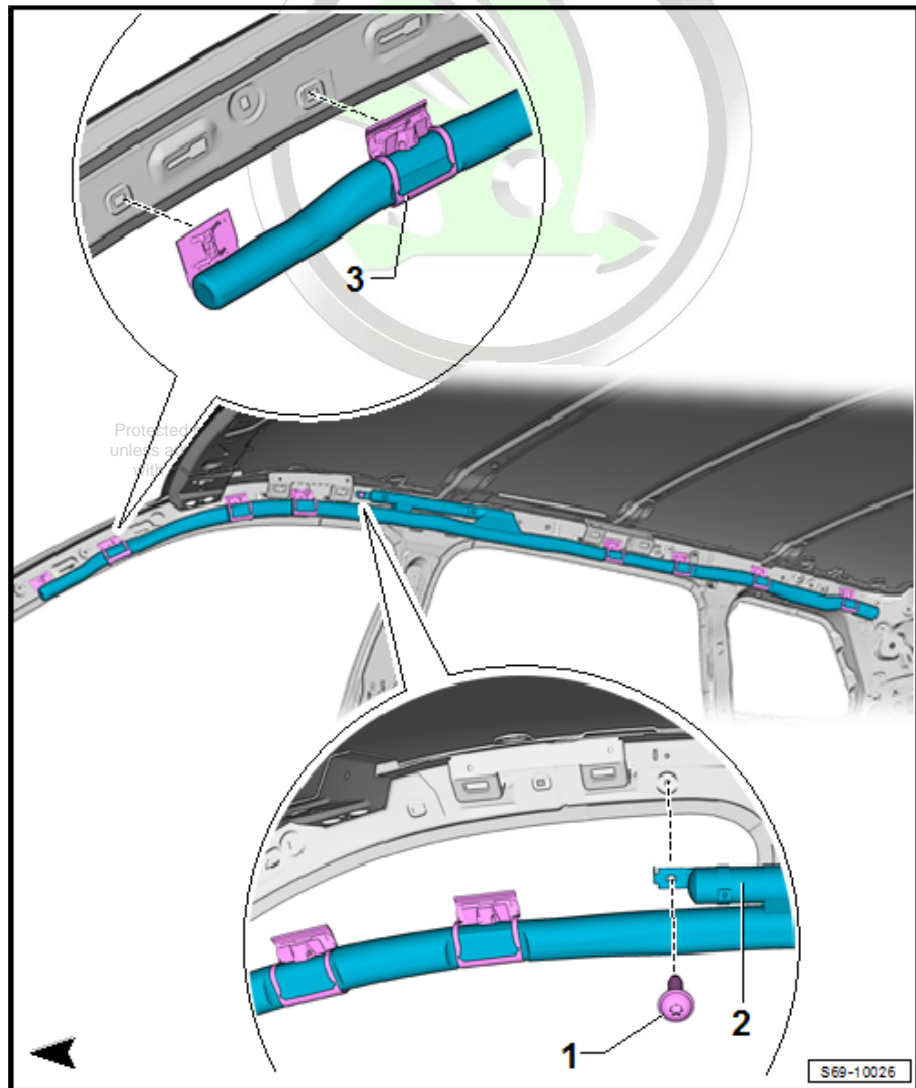
- Always use a new screw after disassembly.
- Tightening torque: 4 Nm.

2 - Head airbag

⚠ WARNING
Observe the general instructions
 ⇒ "3.2 General safety instructions", page 43.


- Removing and installing
 ⇒ "8.2 Removing and installing head airbag with igniter", page 61.

3 - Retaining clip



8.2 Removing and installing head airbag with igniter

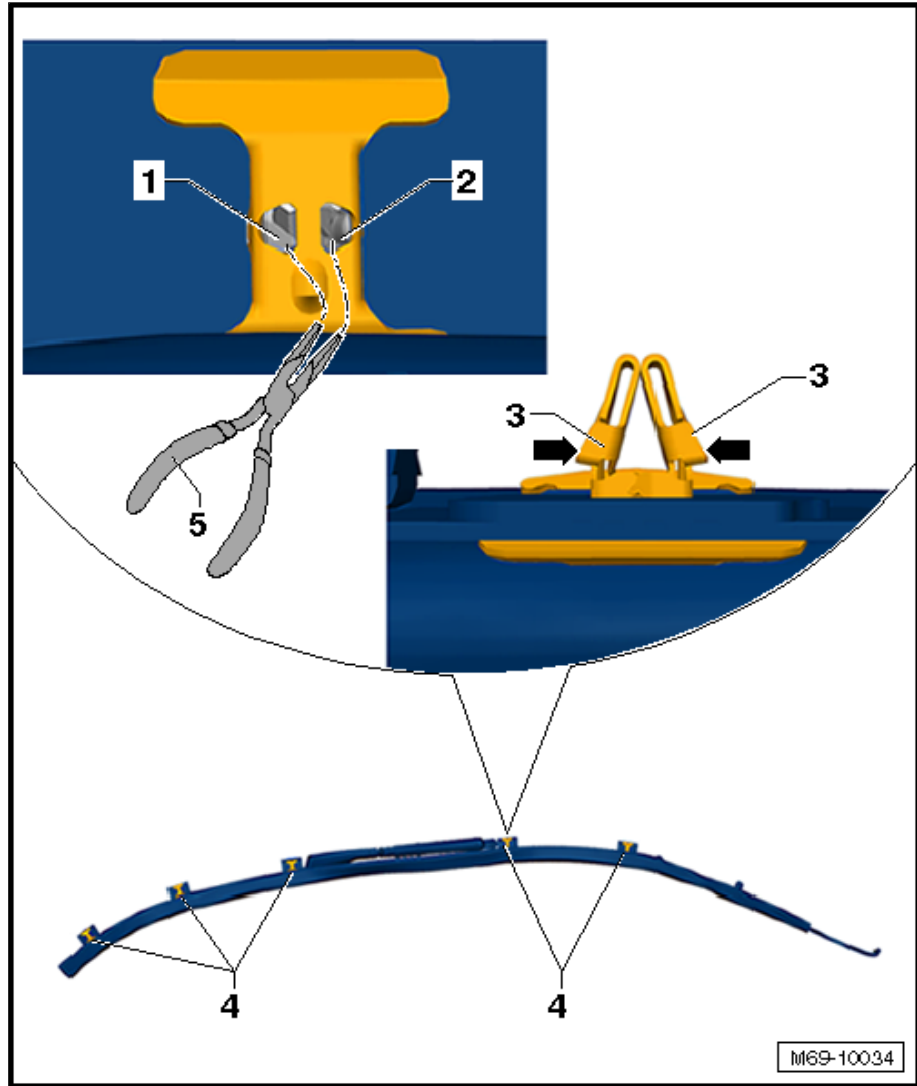
Removing

 **WARNING**

- ◆ **Observe the general safety instructions for pyrotechnic components**
⇒ "3.2 General safety instructions", page 43 .
- ◆ **Observe the disposal instructions for pyrotechnic components**
⇒ "3.4 Storage, transport and disposal of airbag, belt tensioner and battery separation units (pyrotechnical components)", page 45 .

- Turn off the ignition and disconnect the battery earth strap ⇒ Electrical System; Rep. gr. 27 ; Battery; Disconnecting and connecting the battery .
- Lower the moulded headliner (not necessary to remove from the vehicle).
- Remove clips -4- from the head airbag.
- Use e.g. a set of pointed pliers for unclipping. Insert the pliers -5- into openings -1 and 2-. Press gently until the catches -3- are clear.
- Slide the clips out of the body.

Protected by copyright. Copying for private or commercial purposes, in part or in whole, is not permitted unless authorised by ŠKODA AUTO A. S. ŠKODA AUTO A. S. does not guarantee or accept any liability with respect to the correctness of information in this document. Copyright by ŠKODA AUTO A. S. ©

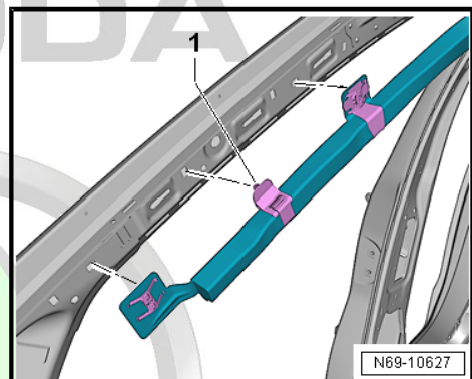


- Unclip the holding clamp -1- from the A pillar.

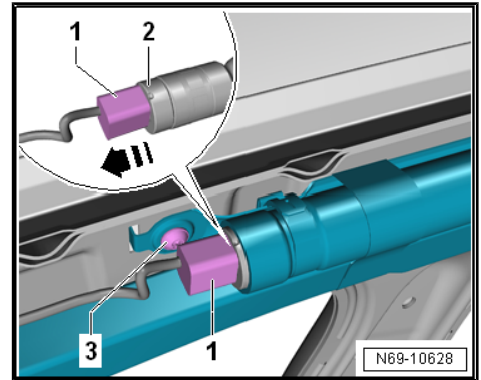


WARNING

Prior to the handling of pyrotechnical components (for example, disconnecting the electrical plug connection) the person who carries out this operation must "discharge himself electrostatically". This occurs, for example, by briefly touching the body or the door closing mechanism.



- Remove plug -1- and pull out from head airbag unit -2- -arrow-.
- Remove the screw -3- from the head airbag.

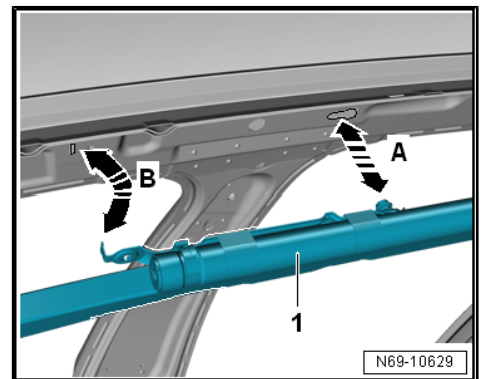


- First unhook the head airbag -1- at the front from the body arrow -B- and push out towards the rear.
- Unhook the rear head airbag from the body arrow -A- and remove.

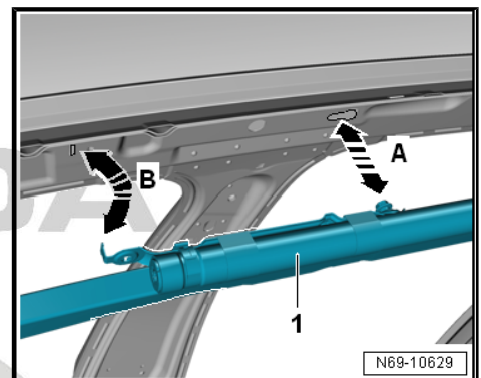
Installing

WARNING

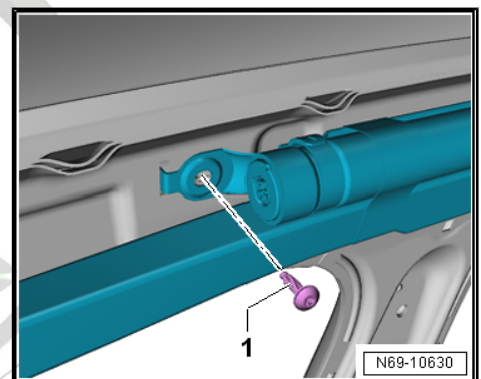
- ◆ *Observe the general safety instructions for pyrotechnic components*
 ⇒ ***"3.2 General safety instructions", page 43*** .
- ◆ *Prior to the handling of pyrotechnical components (for example, disconnecting the electrical plug connection) the person who carries out this operation must "discharge himself electrostatically". This occurs, for example, by briefly touching the body or the door closing mechanism.*



- First attach the head airbag -1- at the rear into the body arrow -A- and push towards the front.
- Attach to the body at the front arrow -B-.

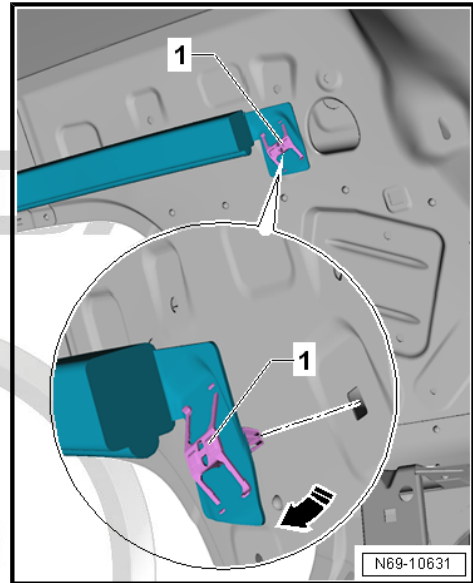


- Screw in screw - 1 - (5.2 Nm).





- Rotate the rear retaining clip -1- downwards by 90° -arrow- and engage in the body.
- Press in the remaining retaining clips of the head airbag until they audibly lock into place, beginning at the gas generator towards the front and rear.
- Carry out a tensile test on the retaining clips and check them to make sure they are locked completely.
- Mount connector on head airbag.
- Push connector in up to the stop until the plug lock engages.
- Check whether the anti-twist protection line (coloured longitudinal stripes on the airbag unit) is visible over the entire length and is straight. This ensures that the airbag has not become twisted.
- Further installation occurs in reverse order.



WARNING

Observe the correct work procedure for disconnecting the battery → Electrical system; Rep. gr. 27; Battery; Disconnecting and connecting the battery.



Note

If the airbag control indicator - K75 - indicates a fault after assembly, the event memory must be queried → Vehicle diagnostic tester.

ŠKODA AUTO A. S. does not guarantee or accept any liability with respect to the correctness of information in this document. Copyright by ŠKODA AUTO A. S. All rights reserved. No part of this document may be reproduced, stored in a retrieval system, or transmitted in any form or by any means, electronic, mechanical, photocopying, recording, or otherwise, without the prior written permission of ŠKODA AUTO A. S.

9 Knee airbags

⇒ "9.1 Summary of components - knee airbag", page 65

⇒ "9.2 Removing and installing airbag unit with igniter", page 66

9.1 Summary of components - knee airbag

1 - Knee airbag with igniter for knee airbag .

- Removing and installing
⇒ "9.2 Removing and installing airbag unit with igniter", page 66 .



Caution

*Make sure that the surface of the knee airbag cannot be damaged by mechanical loads.
Perform visual inspection to check that the surface of the knee airbag is not damaged in the area of perforation.*

2 - Screw

- Tightening torque: 8 Nm.



Caution

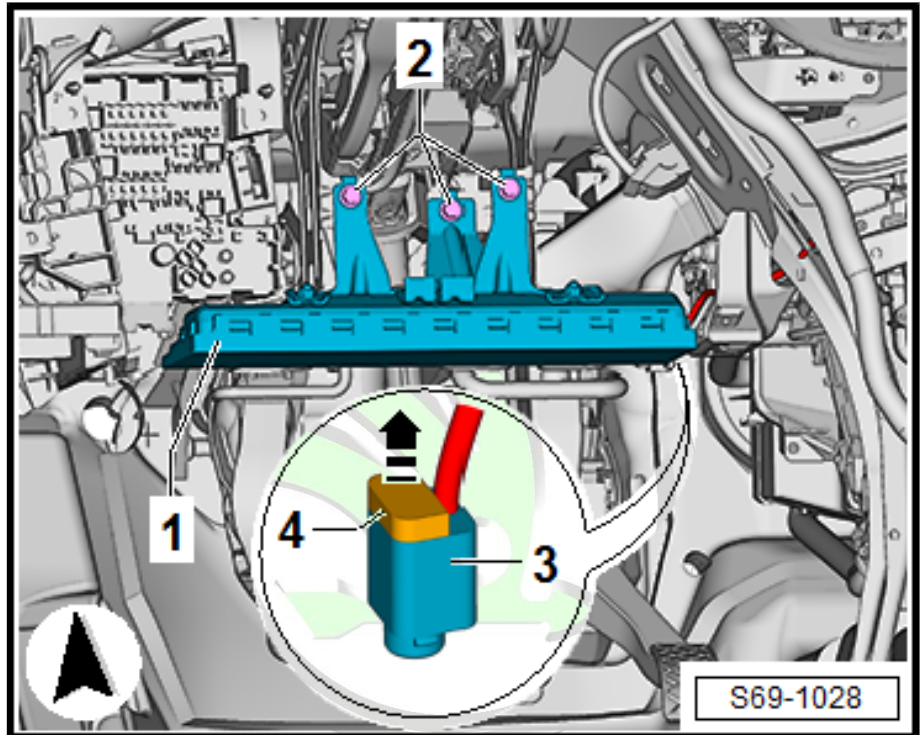
*Exclude functional impairments through an inadequate ground connection.
The thread and contact surfaces must be free of paint, coatings and corrosion.*

The screw connection acts as a ground connection for the knee airbag.

3 - Electrical plug connection

- For ignition for knee airbag driver's side .

4 - Connector lock



Protected by copyright. Copying for private or commercial purposes, in part or in whole, is not permitted unless authorised by ŠKODA AUTO A. S. ŠKODA AUTO A. S. does not guarantee or accept any liability with respect to the correctness of information in this document. Copyright by ŠKODA AUTO A. S. ©



9.2 Removing and installing airbag unit with igniter

Removing



WARNING

- ◆ *Observe the general safety instructions for pyrotechnic components*
⇒ ***"3.2 General safety instructions", page 43*** .
- ◆ *Observe the disposal instructions for pyrotechnic components*
⇒ ***"3.4 Storage, transport and disposal of airbag, belt tensioner and battery separation units (pyrotechnical components)", page 45*** .
- ◆ *Observe correct airbag unit for dash panel* ⇒ ***ETKA - Electronic Catalogue of Original Parts*** .

- Observe work procedure for disconnecting the battery ⇒ Electrical system; Rep. gr. 27 ; Battery; Disconnecting and connecting the battery .
- Release lever for steering wheel adjustment.
- Slide the steering wheel out completely, press upwards and secure.
- Unscrew screws -3- from the support frame -2-.
- Remove the knee airbag -1-.



WARNING

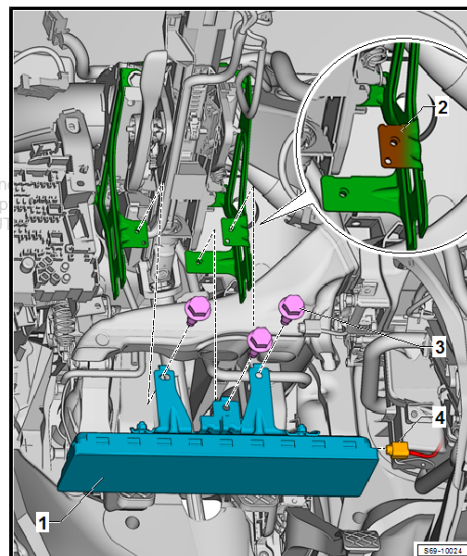
Prior to the handling of pyrotechnical components (for example, disconnecting the electrical plug connection) the person who carries out this operation must "discharge himself electrostatically". This occurs, for example, by briefly touching the body or the door closing mechanism.

- Disconnect the electrical plug connection -4- on the igniter for knee airbag .



WARNING

Once removed, the airbag unit must be stored facing upwards with impact absorber.

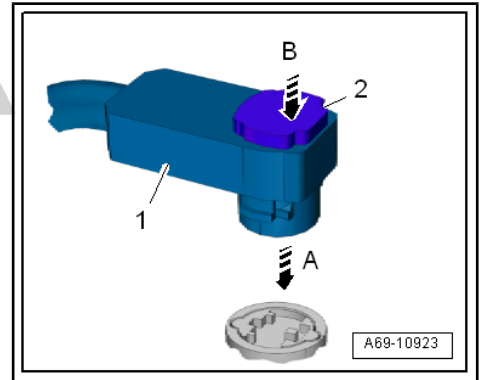


Installing



WARNING

- ◆ **Observe the general safety instructions for pyrotechnic components**
 ⇒ **"3.2 General safety instructions", page 43** .
- ◆ **Prior to the handling of pyrotechnical components (for example, connecting the electrical plug connection) the person who carries out this operation must "discharge himself electrostatically". This occurs, for example, by briefly touching the body or the door closing mechanism.**
- ◆ **Observe correct airbag for dash panel ⇒ ETKA - Electronic Catalogue of Original Parts .**



- Connect plug connection -1- to igniter for airbag in direction of arrow - A - .
- Push the plug lock -2- up to the stop in direction of arrow -B- until it locks into place.

Installation is carried out in the reverse order. When installing, note the following:



Note

Protected by copyright. Copying for private or commercial purposes, in part or in whole, is not permitted unless authorised by ŠKODA AUTO A. S. ŠKODA AUTO A. S. does not guarantee or accept any liability with respect to the correctness of information in this document. Copyright by ŠKODA AUTO A. S. ©

- ◆ **Make sure the electrical plug connections are plugged up to the stop and audibly click into place.**
- ◆ **Make sure that the cables are not trapped.**



Caution

Make sure that the surface of the knee airbag cannot be damaged by mechanical loads.

- ◆ **Perform a visual inspection to check that the surface of the knee airbag is not damaged.**



WARNING

Switch on the ignition before connecting the battery. In case of improper repair of pyrotechnical components (such as airbag, belt tensioner) unwanted deployments may occur after connecting the battery. Nobody should be inside the vehicle when the battery is being connected.

- Observe the work procedure for disconnecting the battery ⇒ Electrical system; Rep. gr. 27 ; Battery; Disconnecting and connecting the battery .



Note

If the airbag warning light - K75- signals a fault after assembly, query and erase the event memory and then query it again ⇒ Vehicle diagnostic tester.

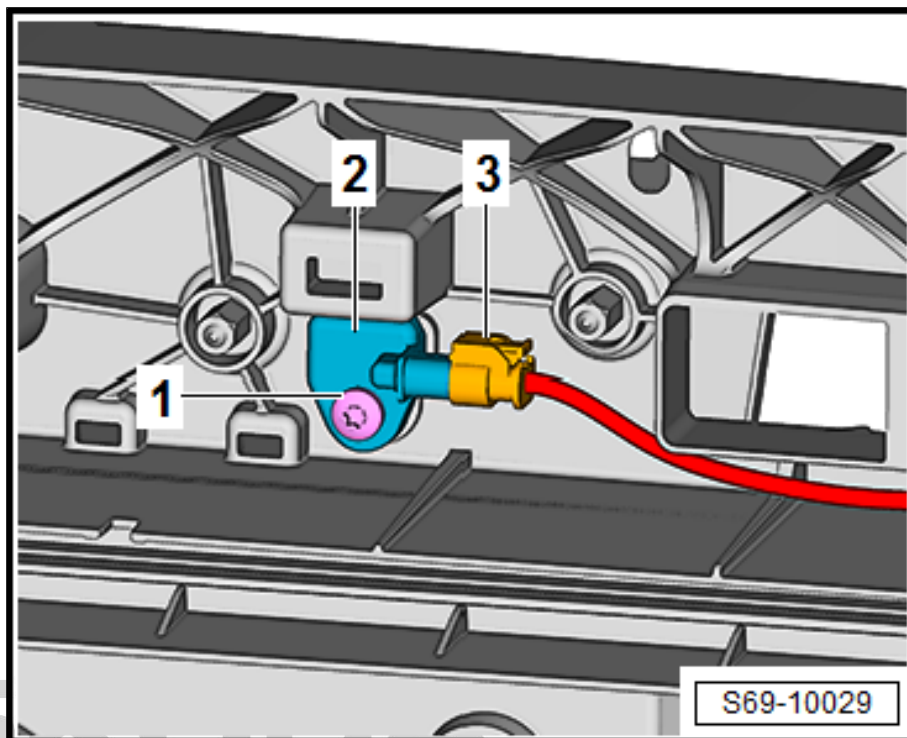
10 Crash sensors for airbag

⇒ ["10.1 Removing and installing the crash sensor for front airbag on driver side G283"](#), page 68

⇒ ["10.2 Removing and installing the crash sensor for side airbag G179 / G180"](#), page 69

⇒ ["10.3 Removing and installing the crash sensor for side airbag rear G256 / G257"](#), page 71

10.1 Removing and installing the crash sensor for front airbag on driver side - G283-



Removing

- With ignition switched off, disconnect battery earth strap ⇒ Electrical system; Rep. gr. 27 ; Battery; Disconnecting and connecting battery .



WARNING

*Observe the general safety instructions during handling
 ⇒ ["3.2 General safety instructions"](#), page 43 .*

- Unplug connector -3-.
- Unscrew screw -1-.
- Take the crash sensor -2- out of the vehicle.

Installing

- Installation is carried out in the reverse order.

- Observe the work procedure for disconnecting the battery ⇒ Electrical system; Rep. gr. 27 ; Battery; Disconnecting and connecting the battery .

⚠ WARNING

Switch on the ignition before connecting the battery. In case of improper repair of pyrotechnical components (such as airbag, belt tensioner) unwanted deployments may occur after connecting the battery. Nobody should be inside the vehicle when the battery is being connected.

10.2 Removing and installing the crash sensor for side airbag -G179- / -G180-

⚠ WARNING

*Observe the general safety instructions during handling ⇒ **“3.2 General safety instructions”, page 43** .*

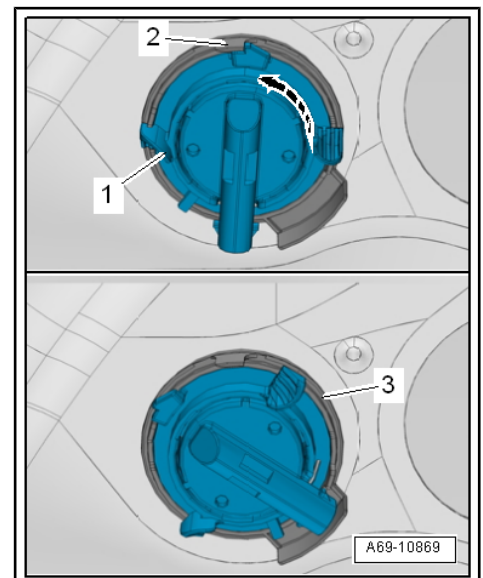
The airbag system operates with pressure sensors for side impact, which are located in the front doors. For perfect operation of the airbag system, no changes (e.g. a disassembly or an additional assembly of the loudspeakers) must be carried out on the front doors.

Before completing the front doors if possible do not drive the vehicle.

Non-approved changes on the front doors or incomplete front doors can impair the function of the airbag system.

Removing

- Pull out the plug lock -2- and push it downwards in -direction of arrow- and disconnect the electrical connector -1- on the crash sensor.
- Release the catch -2- and turn the crash sensor guard -1- counterclockwise by approx. 45° -arrow-.
- Remove the side airbag crash sensor -3- from the door.





Installing



WARNING

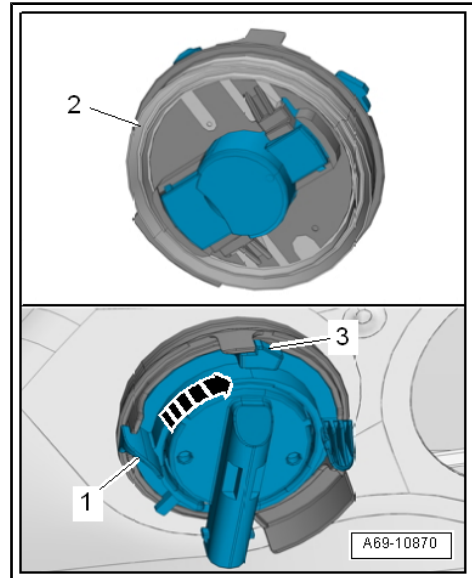
Ensure tightness of the door for smooth operation of the crash sensor (pressure sensor).

- Make sure the seal - 2 - is seated correctly. Replace the crash sensor if damaged or deformed.
- Slide the side airbag crash sensor into the door.
- Turn the fuse - 1 - for the crash sensor clockwise - arrow - .
- The locking pin - 3 - must be heard to click into place.



WARNING

- ◆ *Observe the general safety instructions for pyrotechnic components*
⇒ *"3.2 General safety instructions", page 43 .*
- ◆ *Follow safety measures for crash sensors (pressure sensors) for the front side airbag.*
- ◆ *Prior to the handling of pyrotechnical components (for example, connecting the electrical plug connection) the person who carries out this operation must "discharge himself electrostatically". This occurs, for example, by briefly touching the body or the door closing mechanism.*

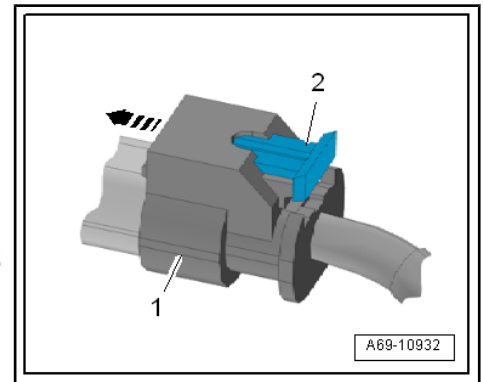


- Plug in the plug connection - 1 - until it audibly locks into place in the crash sensor - arrow -.
- Push the plug lock -2- inwards to secure the plug.

Installation is carried out in the reverse order. When installing, note the following:

Note

- ◆ Make sure the electrical plug connections are plugged up to the stop and audibly click into place.
- ◆ Make sure that the cables are not trapped.



WARNING

Switch on the ignition before connecting the battery. In case of improper repair of pyrotechnical components (such as airbag, belt tensioner) unwanted deployments may occur after connecting the battery. Nobody should be inside the vehicle when the battery is being connected.

- Observe the correct work procedure for disconnecting the battery ⇒ Electrical system; Rep. gr. 27 ; Battery; Disconnecting and connecting the battery .

Note

Protected by copyright. Copying for private or commercial purposes, in part or in whole, is not permitted without the prior written consent of ŠKODA AUTO A. S. or accept any liability.
If the airbag warning light - K75- signals a fault after assembly, query and erase the event memory and then query it again ⇒ Vehicle diagnostic tester.

10.3 Removing and installing the crash sensor for side airbag rear -G256- / -G257-



WARNING

Observe the general safety instructions during handling ⇒ "3.2 General safety instructions", page 43 .

Removing


- With ignition switched off, disconnect battery earth strap ⇒ Electrical system; Rep. gr. 27 ; Battery; Disconnecting and connecting battery .
- Removing side trim panel in luggage compartment ⇒ ["6.6 Removing and installing luggage compartment side trim panel", page 111 .](#)



- Unplug connector -3-.
- Remove the screw - 1 - (9 Nm) and remove the sensor - 2 -.

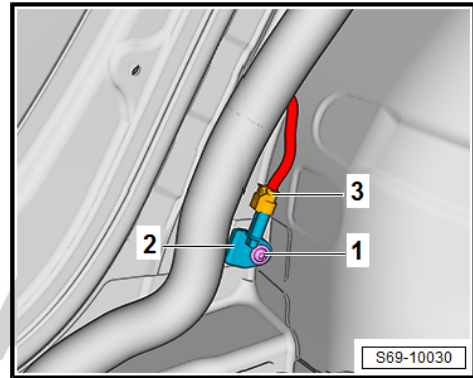
Installing

- Installation is carried out in the reverse order.



WARNING

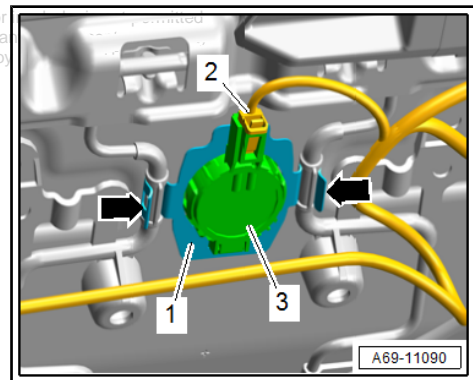
Observe the work procedure for disconnecting the battery => Electrical system; Rep. gr. 27 ; Battery; Disconnecting and connecting the battery .



10.4 Removing and installing seat occupancy detection

 **Note**

- ◆ *The seat occupancy sensor is only installed in the passenger seat.*
- ◆ *To provide a clearer illustration, the seat upholstery is not shown. It is not necessary to remove it.*
- With ignition switched off, disconnect battery earth strap => Electrical system; Rep. gr. 27 ; Battery; Disconnecting and connecting battery .
- Put front seat in the highest position.
- Unplug connector -2-.
- Detach the base of the seat occupancy sensor - 1 - by opening the seat occupancy sensor locking bolt - arrows - 3 -.



- Detach the clamps - 2 - from the seat bench and remove the seat occupancy sensor - 1 - in the - direction of arrow -.



WARNING

*Observe the general safety instructions during handling
⇒ "3.2 General safety instructions", page 43 .*

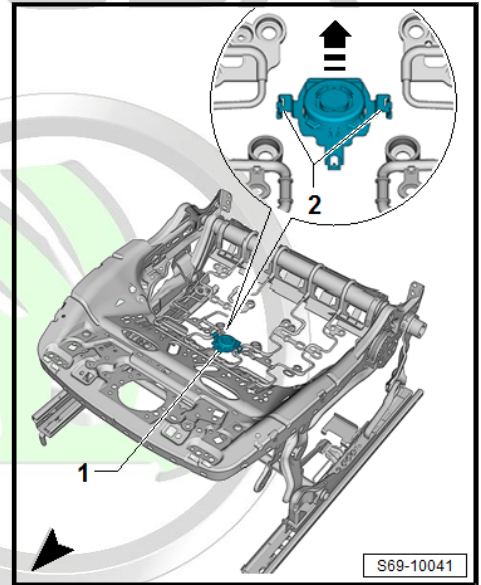
Installing

- Installation is carried out in the reverse order. When installing, observe the following notes:
- Press the clamps of the seat occupancy until you hear them audibly click into the seat.



WARNING

*Observe the work procedure for disconnecting the battery ⇒
Electrical system; Rep. gr. 27 ; Battery; Disconnecting and
connecting the battery .*



Protected by copyright. Copying for private or commercial purposes, in part or in whole, is not permitted unless authorised by ŠKODA AUTO A. S. ŠKODA AUTO A. S. does not guarantee or accept any liability with respect to the correctness of information in this document. Copyright by ŠKODA AUTO A. S. ©

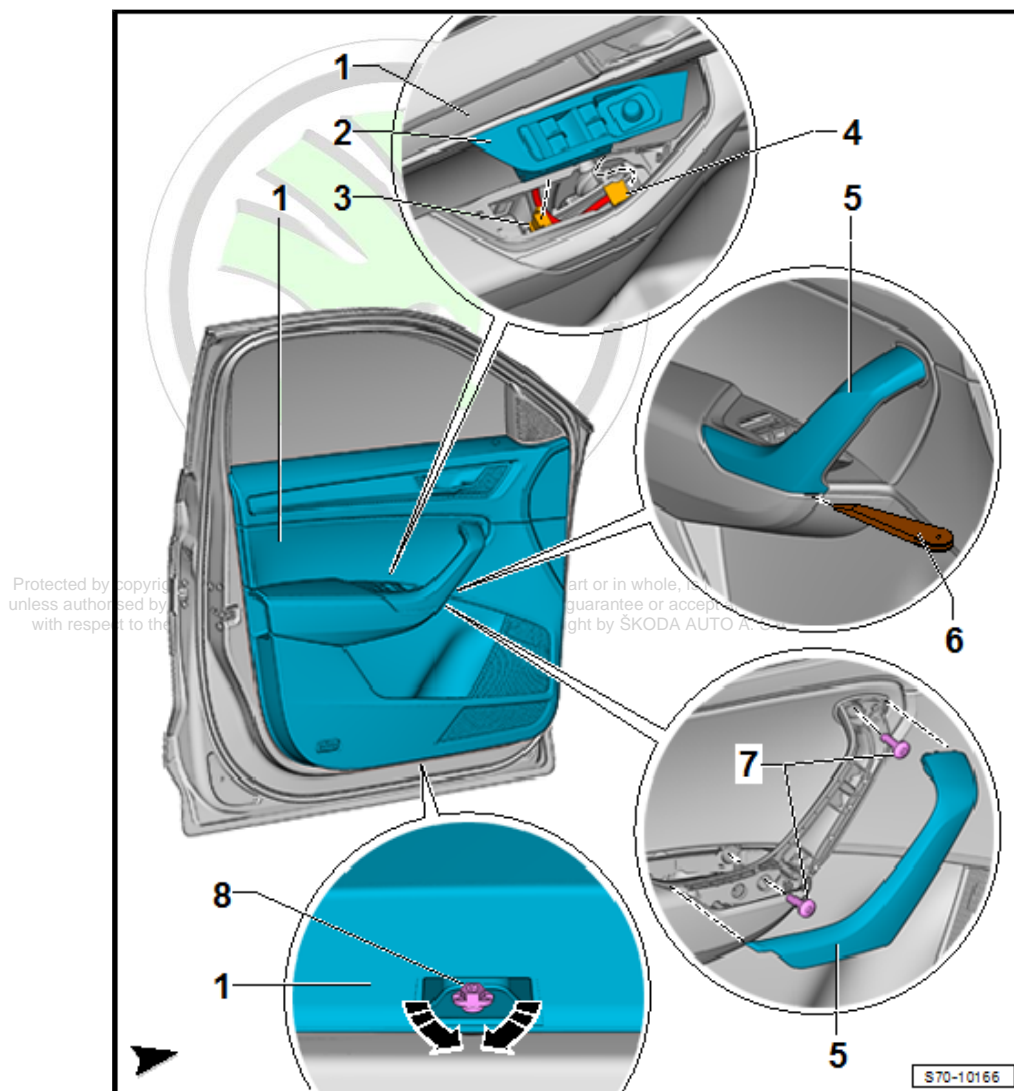
70 – Trim, insulation

1 Front door trim panels

1.1 Removing and installing the front door trim panel

Removing

- Switch off the ignition and all electrical components.
- Unclip trim panel for electric controls -2- and disconnect connectors -3 and 4-.
- Unclip trim panel of door handle -5-, e.g. with disassembly wedge 3409 -6-.
- Remove screws -7- (4 Nm).
- Rotate nut -8- by 90° in -direction of arrow- at the bottom side using the open-end spanner SW10 to one side or the other and release the trim -1-.
- Unclip the trim panel -1- in order.



- Remove door trim upwards from the door strip.
- Unlock the Bowden cable -3- on the inside of the door trim panel and slide out of the inner door control -2- in -direction of arrow- and unclip the end piece -1-.
- Disconnect the electrical plug connections from the door trim panel, depending on the vehicle equipment.
- Remove the trim panel from the vehicle.

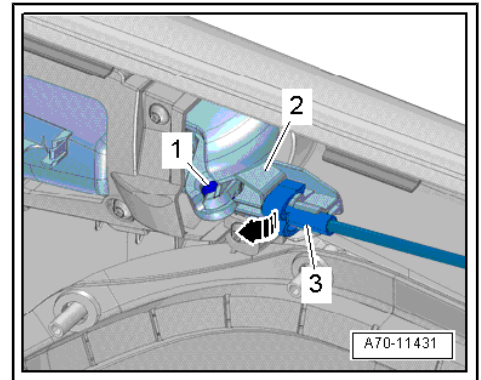
Installing

- Installation is carried out in the reverse order.



Note

- ◆ *Before the installation, check all the fixing elements for damage, if necessary replace.*
- ◆ *Make sure that the water drain hose from the rain cover area is correctly inserted into the door.*



ŠKODA



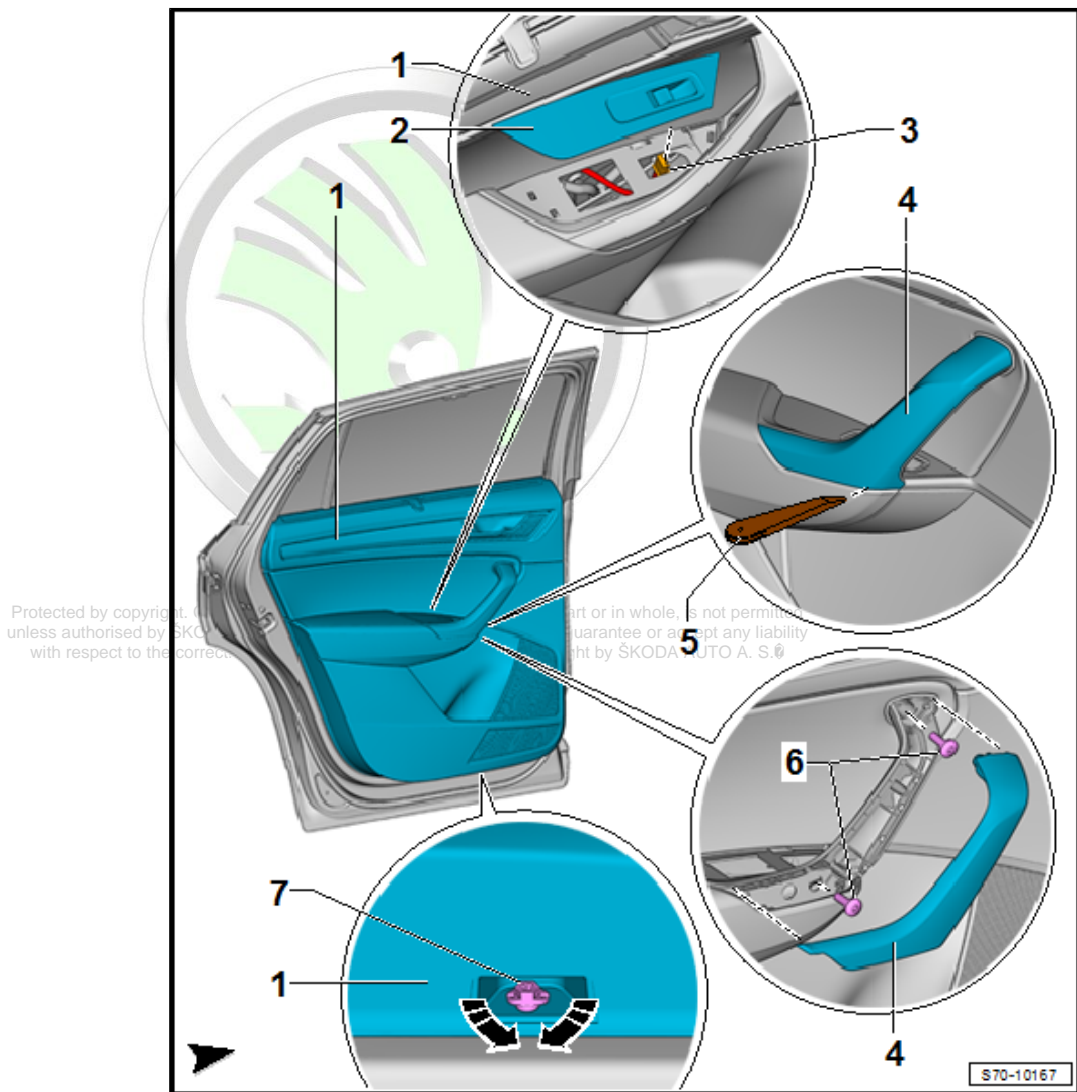
Protected by copyright. Copying for private or commercial purposes, in part or in whole, is not permitted unless authorised by ŠKODA AUTO A. S. ŠKODA AUTO A. S. does not guarantee or accept any liability with respect to the correctness of information in this document. Copyright by ŠKODA AUTO A. S. ©

2 Rear door trim panels

2.1 Removing and installing the rear door trim panel

Removing

- Switch off the ignition and all electrical components.
- Unclip trim panel for electric controls -2- and disconnect connector -3-.
- Unclip trim panel of door handle -4-, e.g. with disassembly wedge -3409- -5-.
- Remove screws -6- (4 Nm).
- Rotate nut -7- by 90° in -direction of arrow- at the bottom side using the open-end spanner SW10 to one side or the other and release the trim -1-.
- Unclip the trim panel in sequence.



- Remove door trim -1- upwards from the door strip.

- Push the Bowden cable -3- on the inside of the door trim panel out of the inner door control -2- in -direction of arrow- and unclip the end piece -1-.
- Disconnect the plug connections of the wiring looms from the door trim panel, depending on the vehicle equipment.
- Remove the trim panel from the vehicle.

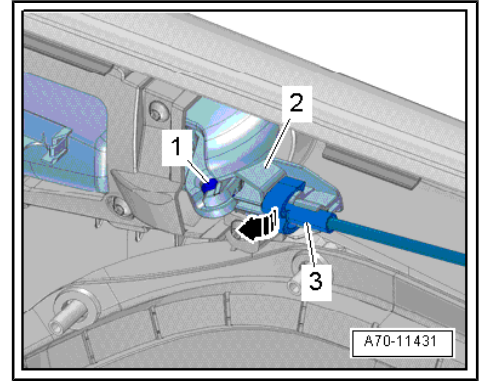
Installing

- Installation is carried out in the reverse order.



Note

Before the installation, check all the fixing elements for damage, if necessary replace.



ŠKODA



Protected by copyright. Copying for private or commercial purposes, in part or in whole, is not permitted unless authorised by ŠKODA AUTO A. S. ŠKODA AUTO A. S. does not guarantee or accept any liability with respect to the correctness of information in this document. Copyright by ŠKODA AUTO A. S.

3 Dash panel

⇒ [“3.1 Summary of components - dash panel”, page 78](#)

⇒ [“3.2 Removing and installing the decorative trim of the dash panel”, page 78](#)

⇒ [“3.3 Removing and installing the dash panel”, page 82](#)

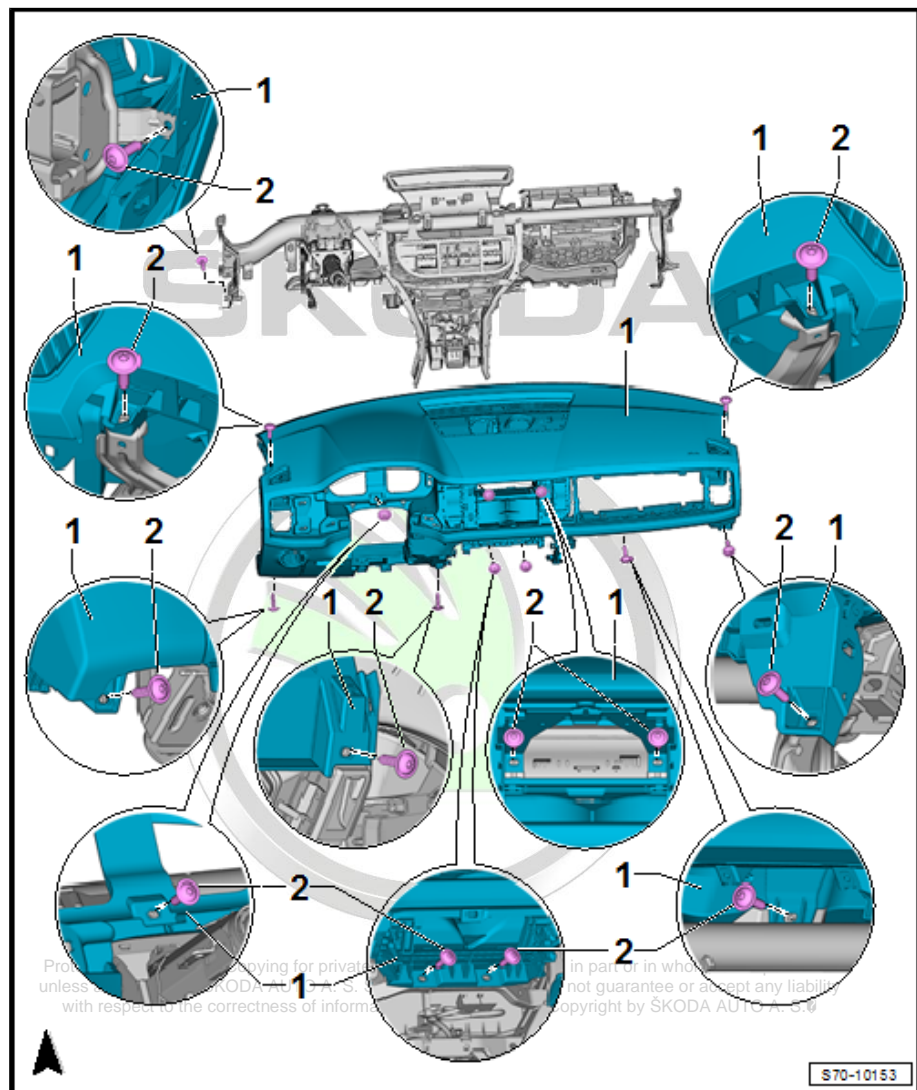
⇒ [“3.4 Removing and installing dash panel vents in the dash panel”, page 87](#)

3.1 Summary of components - dash panel

1 - Dash panel

2 - Screw

- Tightening torque: 1.5 Nm.

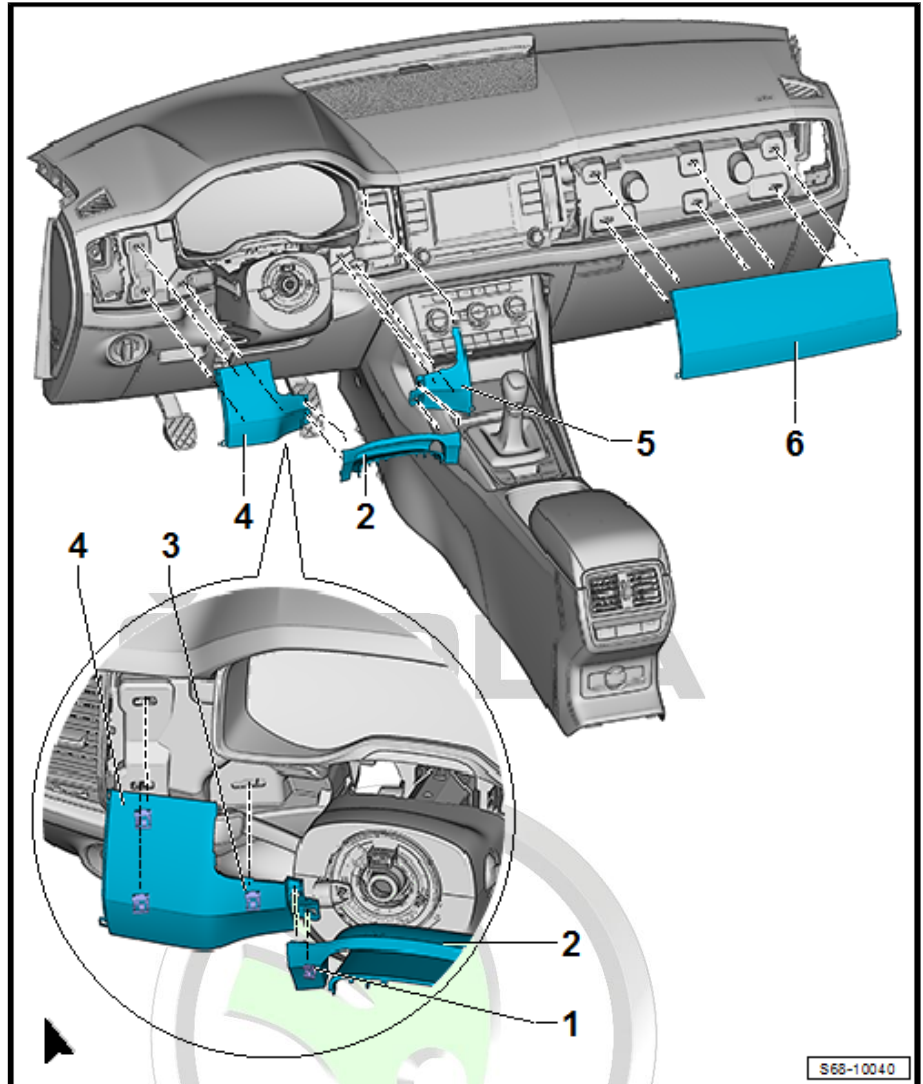


3.2 Removing and installing the decorative trim of the dash panel

Remove decorative trim panel -4-.- -

- Remove vents
 ⇒ [“3.4 Removing and installing dash panel vents in the dash panel”, page 87](#) .
- Remove frame of top steering column trim -2-
 ⇒ [“1.1 Removing and installing the steering column trim panel”, page 1](#) .

- Remove dash panel insert⇒ Electrical system; Rep. gr. 90 ; Dash panel insert; Removing and installing dash panel insert - KX2- .
- Unclip decorative trim with e.g. disassembly wedge -3409- .



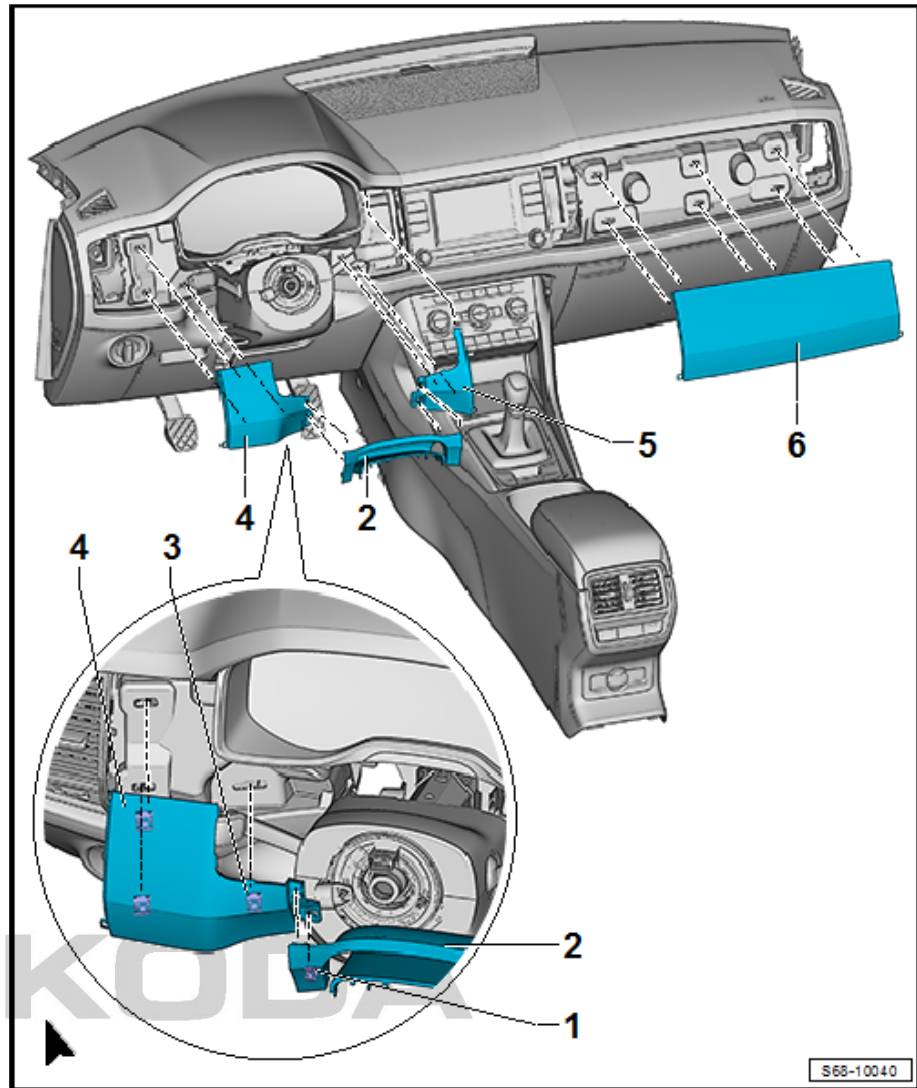
Installing

- Clip decorative trim into the recesses in the dash panel.

Remove decorative trim panel -5-.- -

- Remove frame of top steering column trim -2-
⇒ [“1.1 Removing and installing the steering column trim panel”, page 1](#) .
- Remove vents
⇒ [“3.4 Removing and installing dash panel vents in the dash panel”, page 87](#) .
- Unclip decorative trim with e.g. disassembly wedge -3409- .

Commercial purposes, in part or in whole, is not permitted unless authorised by ŠKODA AUTO A. S. ŠKODA AUTO A. S. does not guarantee or accept any liability with respect to the correctness of information in this document. Copyright by ŠKODA AUTO A. S. ©



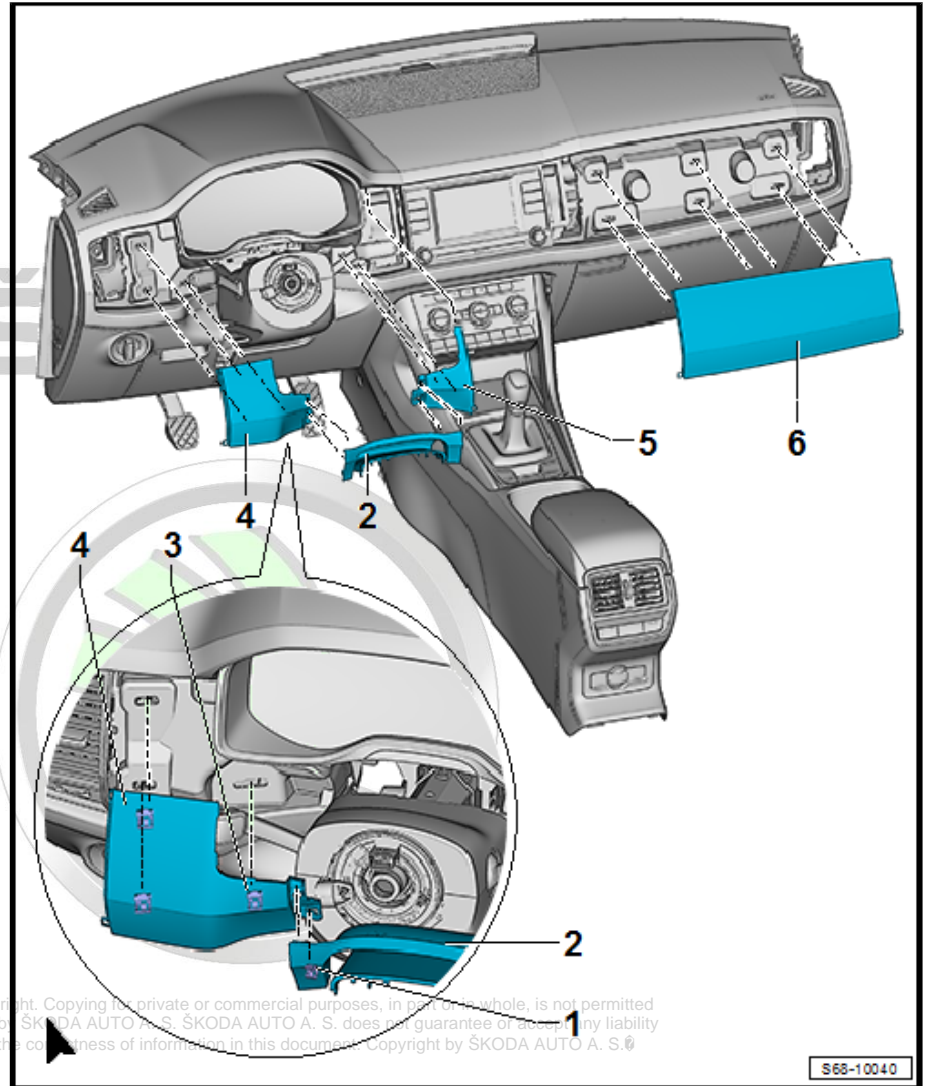
Installing

- Clip decorative trim into the recesses in the dash panel.

Remove decorative frame -6- (depending on vehicle equipment).

- Remove vents
 => ["3.4 Removing and installing dash panel vents in the dash panel", page 87](#) .
- Unclip decorative trim with e.g. disassembly wedge -3409- .

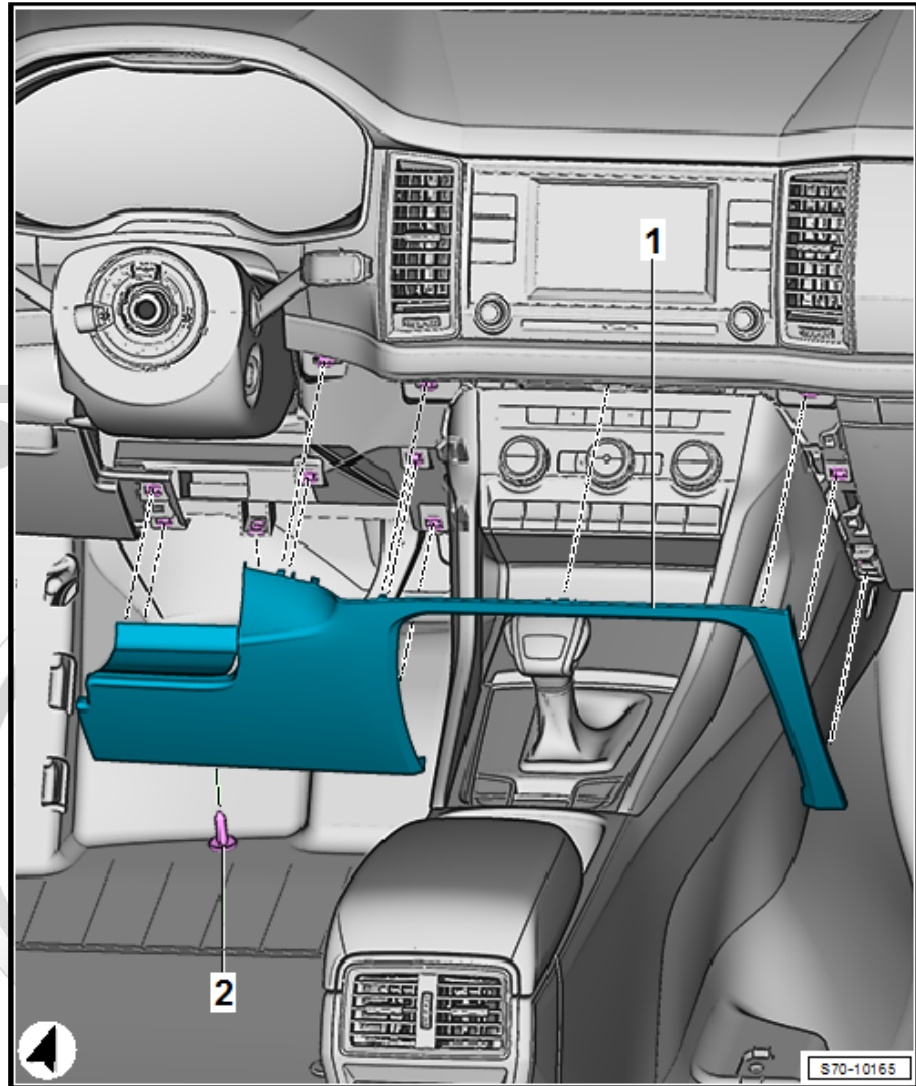
Protected by copyright. Copying for private or commercial purposes, in part or in whole, is not permitted unless authorised by ŠKODA AUTO A. S. ŠKODA AUTO A. S. does not guarantee or accept any liability with respect to the correctness of information in this document. Copyright by ŠKODA AUTO A. S. ©



Installing

- Clip decorative trim into the recesses in the dash panel.

Remove decorative frame -1-.- -



Protected by copyright. Copying for private or commercial purposes, in part or in whole, is not permitted unless authorised by ŠKODA AUTO A. S. ŠKODA AUTO A. S. does not guarantee or accept any liability with respect to the correctness of information in this document. Copyright by ŠKODA AUTO A. S. ©

- Unscrew screw -2-.
- Remove the decorative frame -1- step by step from the dash panel, e.g. using the disassembly wedge -3409- .

Installing

- Clip decorative trim -1- into the recesses in the dash panel.
- Screw in screw - 2 - (1.5 Nm).

3.3 Removing and installing the dash panel

Removing

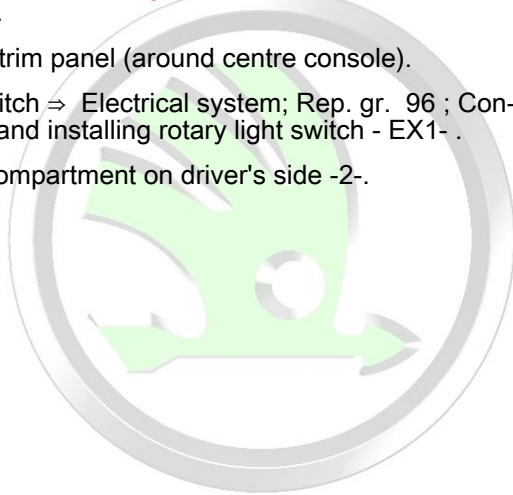


Note

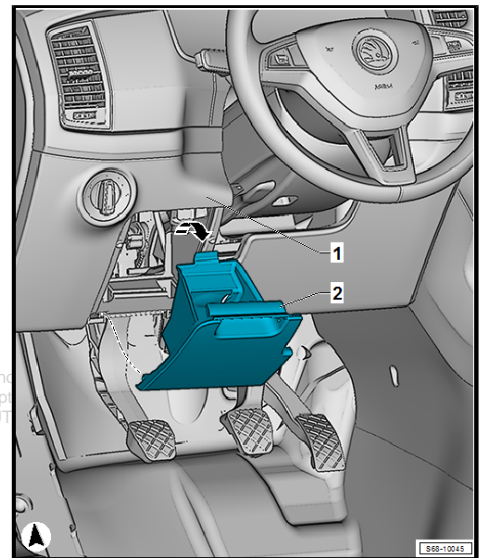
With ignition switched off, disconnect battery earth strap ⇒ Electrical system; Rep. gr. 27 ; Battery; Disconnecting and connecting battery .

- Remove driver's airbag unit
 ⇒ ["5.2 Removing and installing airbag on driver side with igniter", page 50](#) .

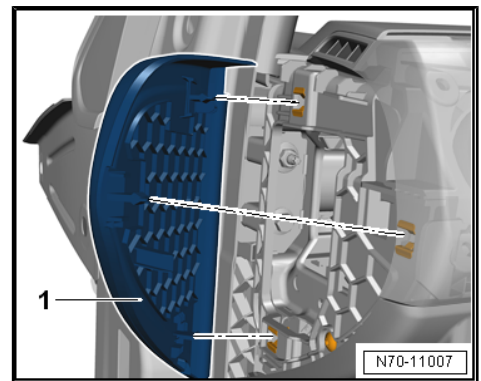
- Remove steering wheel ⇒ Chassis, axles, steering; Rep. gr. 48 ; Steering wheel; removing and installing steering wheel .
- Remove steering column trim panel
 ⇒ ["1 Storage areas/covers", page 1](#) .
- Remove dash panel insert⇒ Electrical system; Rep. gr. 90 ; Dash panel insert; Removing and installing dash panel insert - KX2- .
- Removing decorative trims of dash panel
 ⇒ ["3.2 Removing and installing the decorative trim of the dash panel", page 78](#) .
- Remove bottom trim panel (around centre console).
- Remove light switch ⇒ Electrical system; Rep. gr. 96 ; Controls; Removing and installing rotary light switch - EX1- .
- Remove glove compartment on driver's side -2-.



Protected by copyright. Copying for private or commercial purposes, in part or in whole, is not allowed unless authorised by ŠKODA AUTO A. S. ŠKODA AUTO A. S. does not guarantee or accept any liability with respect to the correctness of information in this document. Copyright by ŠKODA AUTO A. S.

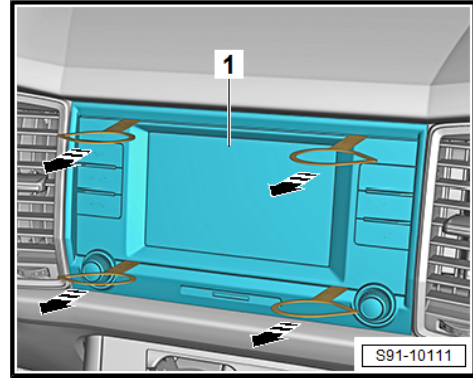


- Remove the lateral dash panel covers -1- e.g. using the disassembly wedge -3409-.
- Remove the glove compartment on front passenger's side
 ⇒ ["1.3.1 Glove compartment on front passenger side", page 2](#) .
- Remove top storage tray (depending upon vehicle equipment)
 ⇒ ["1.3.2 Glove compartment on front passenger side - top", page 4](#) .
- Remove vents on left and rights and centre vent
 ⇒ ["3.4 Removing and installing dash panel vents in the dash panel", page 87](#) .
- Unclip decorative trims of dash panel
 ⇒ ["3.2 Removing and installing the decorative trim of the dash panel", page 78](#) .

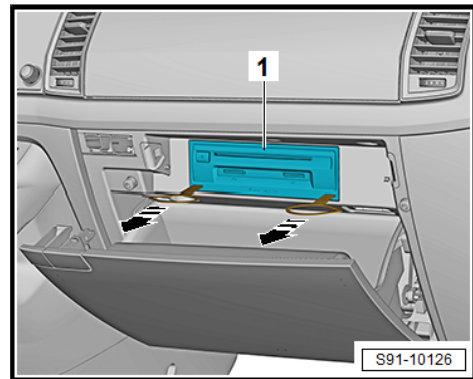




- Pull out infotainment display/control unit (depending upon vehicle equipment) ⇒ Communication; Rep. gr. 91 ; Infotainment system; Removing and installing the infotainment system display .



- Pull out infotainment control unit (depending upon vehicle equipment) ⇒ Communication; Rep. gr. 91 ; Infotainment system; Removing and installing control unit 1 for information electronics - J794- .



- Lever off the frame around the heating and AC controls ⇒ Heating, Air Conditioning; Rep. gr. 87 ; Control and display unit; Removing and installing control and display unit .

- Remove trim for AC and heating controls ⇒ Heating, Air Conditioning; Rep. gr. 87 ; Control and display unit; Removing and installing control and display unit .

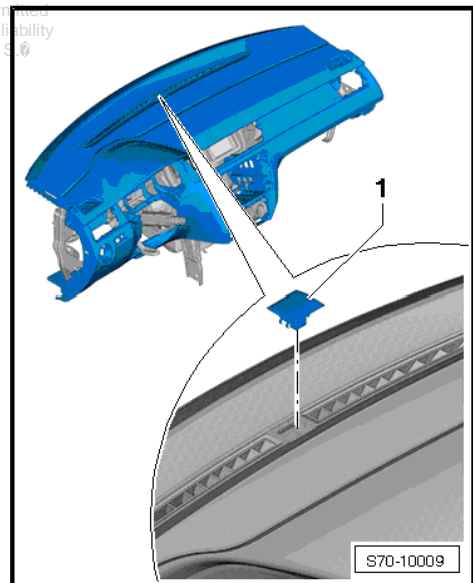
- Disconnect plug connection for front airbag on front passenger's side
 ⇒ ["6.1 Summary of components - Airbag on front passenger side", page 52](#) .

- Remove the top trim panel of the pillar A
 ⇒ ["5.1 Removing and installing A-pillar trim panel", page 95](#) .

- Remove the centre console
 ⇒ ["3.3 Removing and installing centre console", page 10](#) .

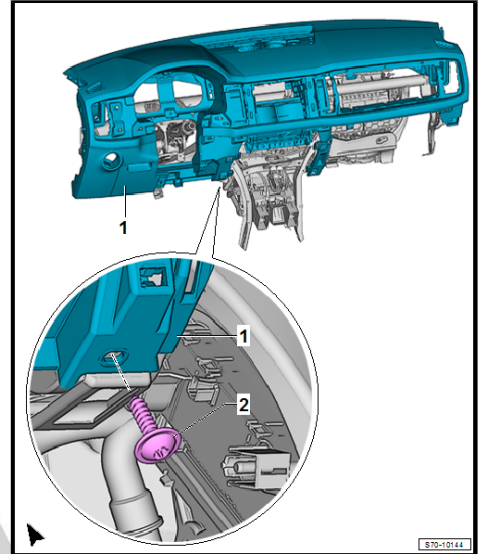
- Remove combination switch ⇒ Electrical system; Rep. gr. 94 ; Switch unit on the steering column; Summary of components - switch unit on the steering column .

- Unclip and disconnect sunlight penetration photosensor connector.

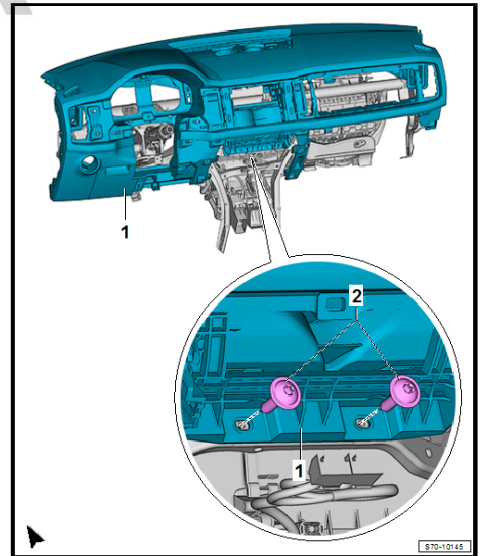




- Unscrew screw -2-.

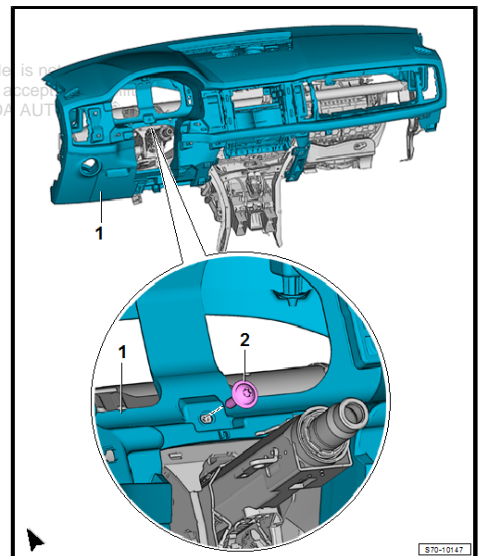


- Unscrew screws -2-.



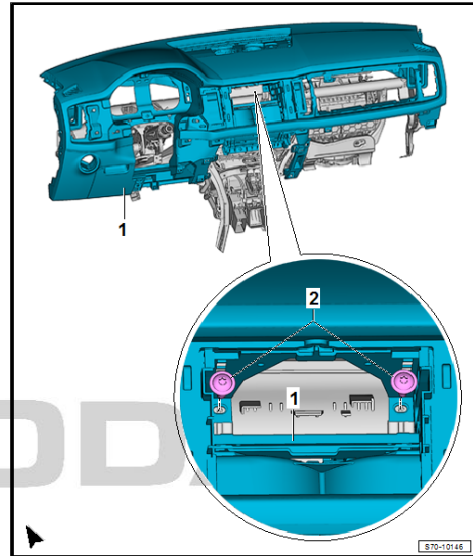
- Unscrew screw -2-.

Protected by copyright. Copying for private or commercial purposes, in part or in whole, is prohibited unless authorised by ŠKODA AUTO A. S. ŠKODA AUTO A. S. does not guarantee or accept responsibility with respect to the correctness of information in this document. Copyright by ŠKODA AUTO A. S.

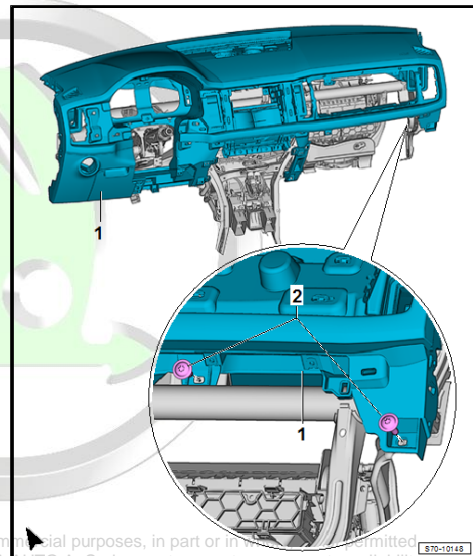




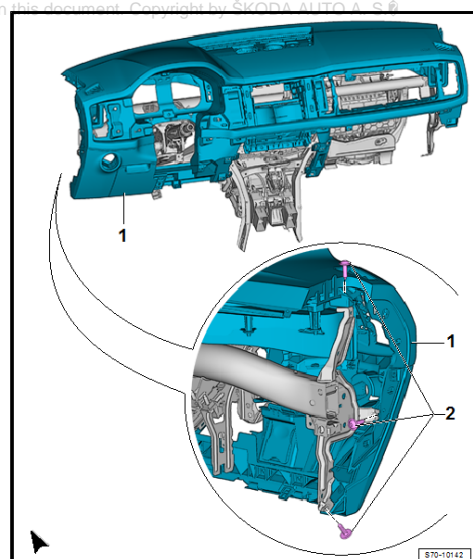
- Unscrew screws -2-.



- Unscrew screws -2-.



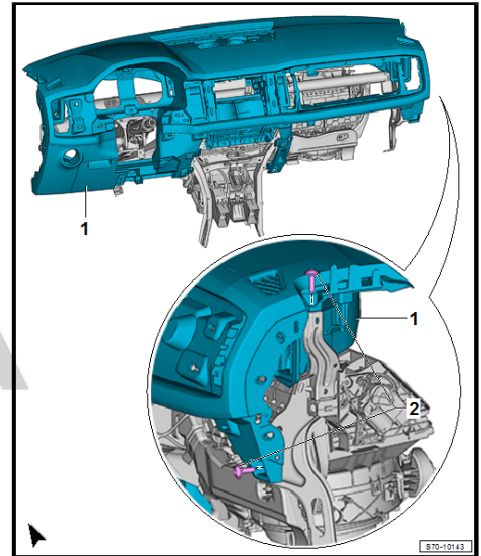
- Unscrew screws -2-.



Protected by copyright. Copying for private or commercial purposes, in part or in whole, is not permitted unless authorised by ŠKODA AUTO A. S. ŠKODA with respect to the correctness of information in this document. Copyright by ŠKODA AUTO A. S. #

- Unscrew screws -2-.

ŠKODA



- Pull the dash panel out of the supports in the transition area to the windscreen.
- Remove the dash panel - 1 - from the vehicle with the assistance of a second mechanic.

Installing

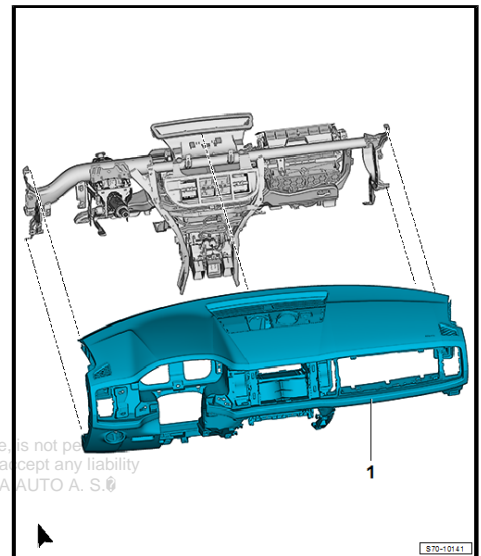
- Installation is carried out in the reverse order.



Note

Before the installation, check all the fixing elements for damage, if necessary replace.

Protected by copyright. Copying for private or commercial purposes, in part or in whole, is not permitted unless authorised by ŠKODA AUTO A. S. ŠKODA AUTO A. S. does not guarantee or accept any liability with respect to the correctness of information in this document. Copyright by ŠKODA AUTO A. S. ©



3.4 Removing and installing dash panel vents in the dash panel

⇒ [“3.4.1 Removing and installing centre vent in the dash panel”, page 87](#)

⇒ [“3.4.2 Removing and installing right/left side vent in the dash panel”, page 88](#)

⇒ [“3.4.3 Removing and installing rear centre vent”, page 88](#)

3.4.1 Removing and installing centre vent in the dash panel

Special tools and workshop equipment required

- ◆ Assembly tool - T10389-

Removal and installation is the same as for the side dash panel vents

⇒ [“3.4.2 Removing and installing right/left side vent in the dash panel”, page 88](#) .

3.4.2 Removing and installing right/left side vent in the dash panel

Removing

- Hook the assembly tool -2- in order in to the openings at the sides of the vent arrows -A- and remove by pulling the vent -1- in direction of arrow -B-.

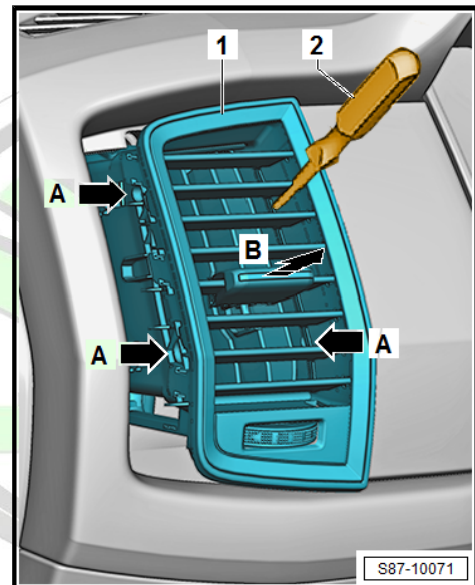
Installing



Caution

Do not press onto the grids of the vent when installing.

- Carefully push the vent back into the dash panel until the catches lock audibly into place.
- After installing, check the vent is functioning correctly.



3.4.3 Removing and installing rear centre vent

Protected by copyright. Copying for private or commercial purposes, in part or in whole, is not permitted without the written permission of ŠKODA AUTO A. S. ŠKODA AUTO A. S. does not guarantee or accept any liability with respect to the correctness of information in this document. Copyright by ŠKODA AUTO A. S. ©

Removing

Special tools and workshop equipment required

- ◆ Assembly tool - T10389-
- Use assembly tool, e.g. -T10389- , to unclip the vent -1- in area of -arrows A- and remove it in direction of arrow -B-.

Installing

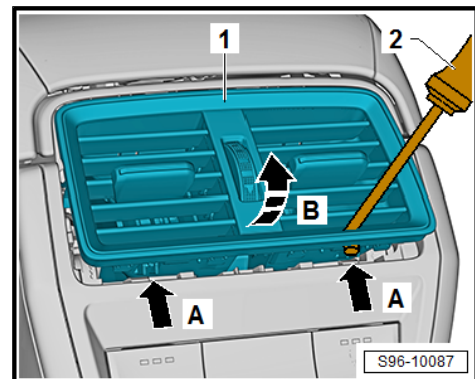


Caution

Do not press onto the grids of the vent when installing.

Carefully push the vent back into the assembly opening until the catches lock audibly into place.

- After installing, check the vent is functioning correctly.



4 Cross member for dash panel

⇒ [“4.1 Summary of components - cross member for dash panel”, page 89](#)

⇒ [“4.2 Removing and installing the cross member for the dash panel”, page 89](#)

⇒ [“4.3 Removing and installing crash strut”, page 93](#)

4.1 Summary of components - cross member for dash panel

1 - Screw

- Tightening torque: 20 Nm.

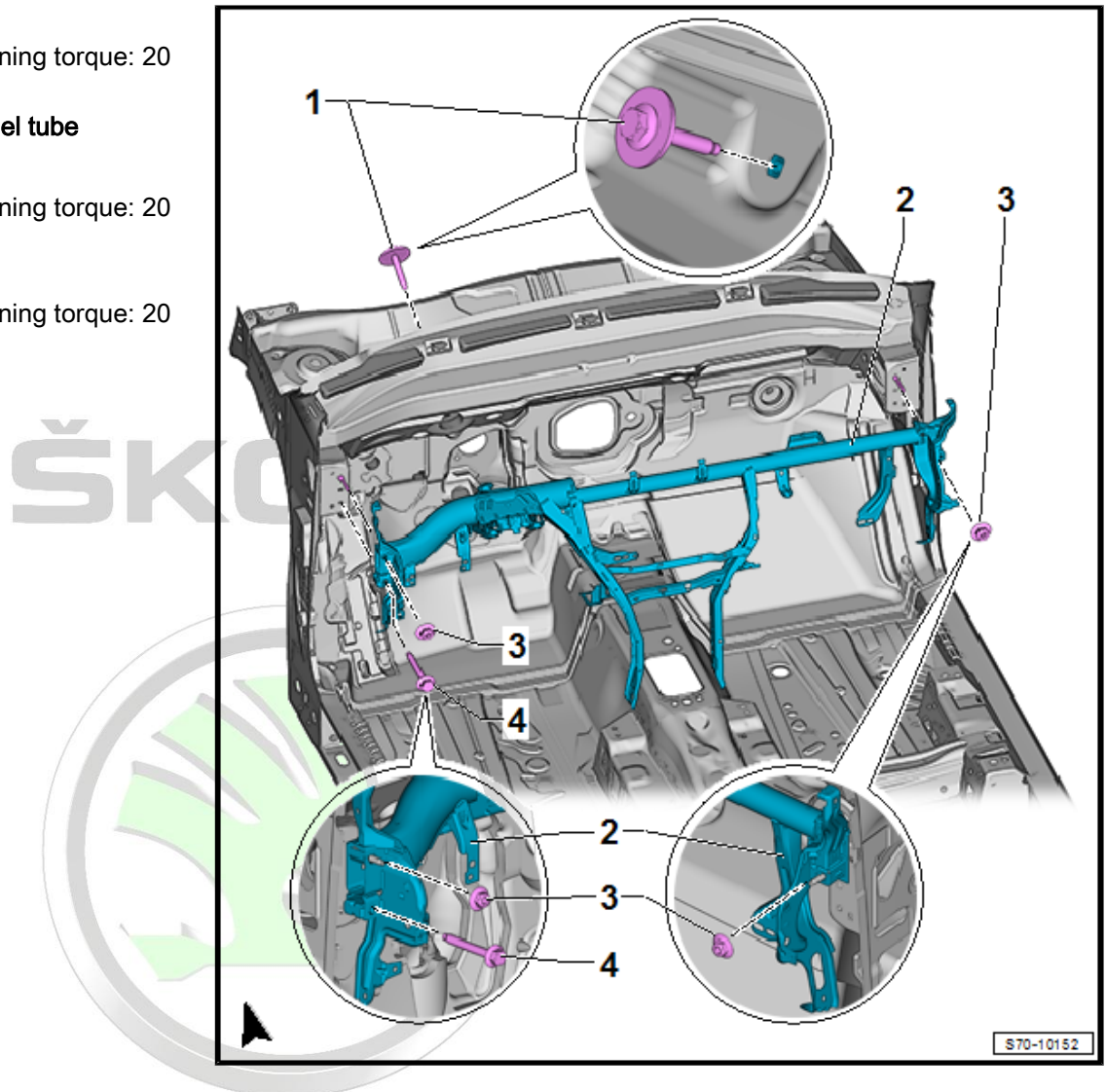
2 - Dash panel tube

3 - Nut

- Tightening torque: 20 Nm.

4 - Screw

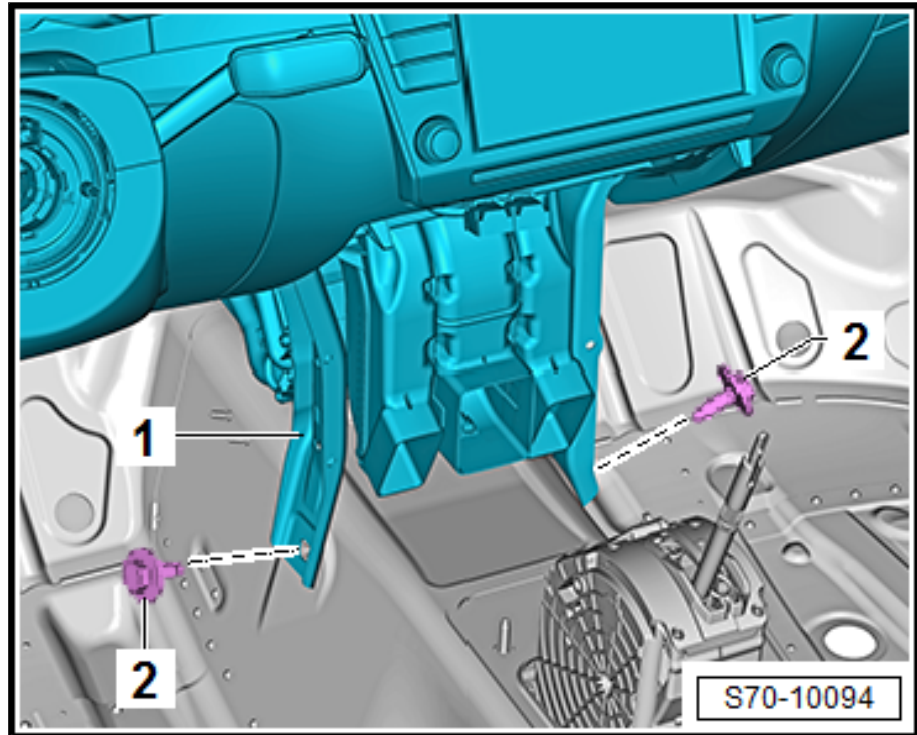
- Tightening torque: 20 Nm.



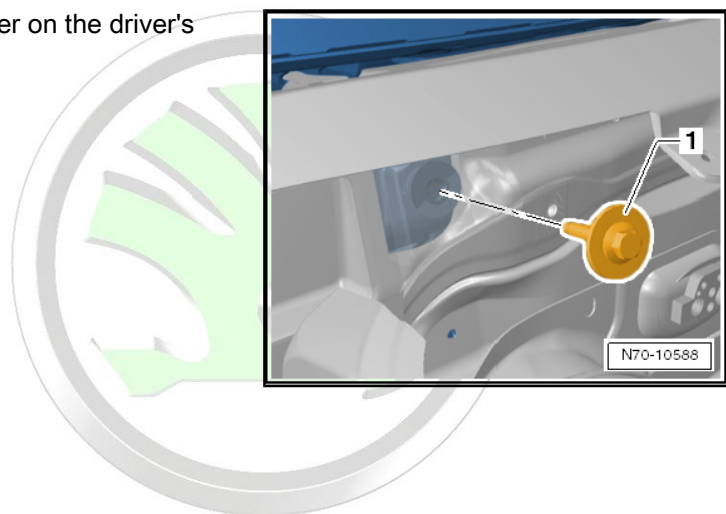
4.2 Removing and installing the cross member for the dash panel

Removing

- Removing dash panel
⇒ [“3.3 Removing and installing the dash panel”, page 82](#) .
- Unscrew screws -2- (20 Nm) and detach support -1-.

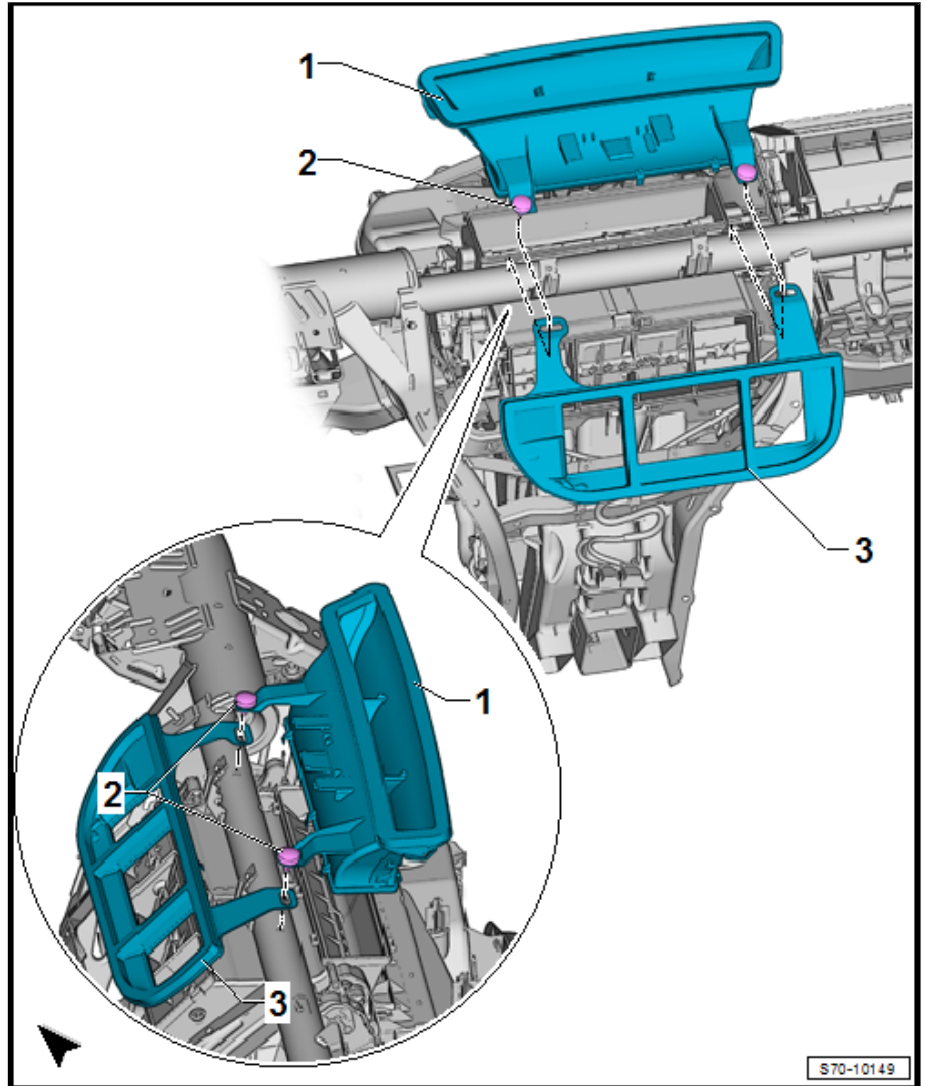


- Remove the driver side footwell vent ⇒ Heating system, air conditioning system; Rep. gr. 87 ; Air duct; Remove and install driver side footwell vent .
- Remove steering column from cross member ⇒ Chassis, axles, steering; Rep. gr. 48 ; Steering column; Removing and installing steering column .
- Remove wiper arms and wiper motor ⇒ Electrical System; Rep. gr. 92 ; Windscreen wiper system; Removing and installing windscreen wiper arms .
- Remove plenum chamber cover ⇒ General body repairs, exterior; Rep. gr. 50 ; Dash panel; installing and removing plenum chamber cover .
- Release the screw -1- in the plenum chamber on the driver's side (20 Nm).



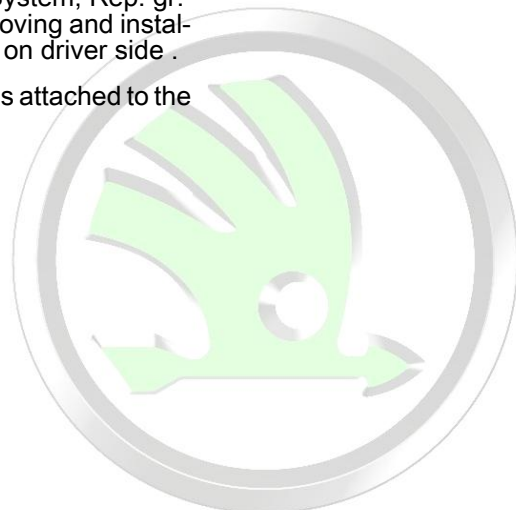
- Removing body-bound rivet -2-.

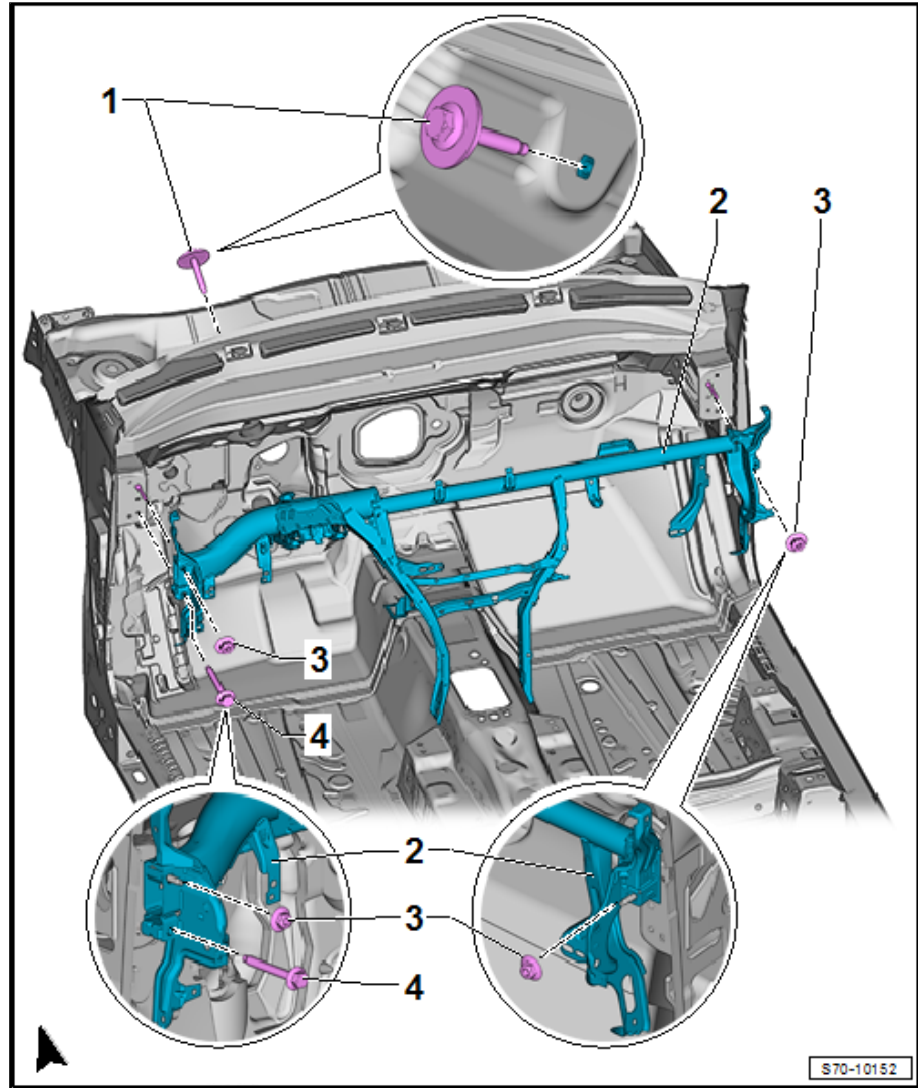
Protected by copyright. Copying for private or commercial purposes, in part or in whole, is not permitted unless authorised by ŠKODA AUTO A. S. ŠKODA AUTO A. S. does not guarantee or accept any liability with respect to the correctness of information in this document. Copyright by ŠKODA AUTO A. S.®



- Remove air guide duct -1-.
- Remove air guide duct -3-.
- Slacken wiring loom attachment from cross member.
- Remove relay and fuse holder ⇒ Electrical System; Rep. gr. 97 ; Relay carrier, fuse holder, E-boxes; Removing and installing relay and fuse holder behind dash panel on driver side .
- Remove all control units and electrical systems attached to the cross member.
- Release nuts -3- (20 Nm).
- Unscrew screw -1-.
- Remove screw -4- (20 Nm).

ŠKODA





Installing

– Installation is carried out in the reverse order.



Note

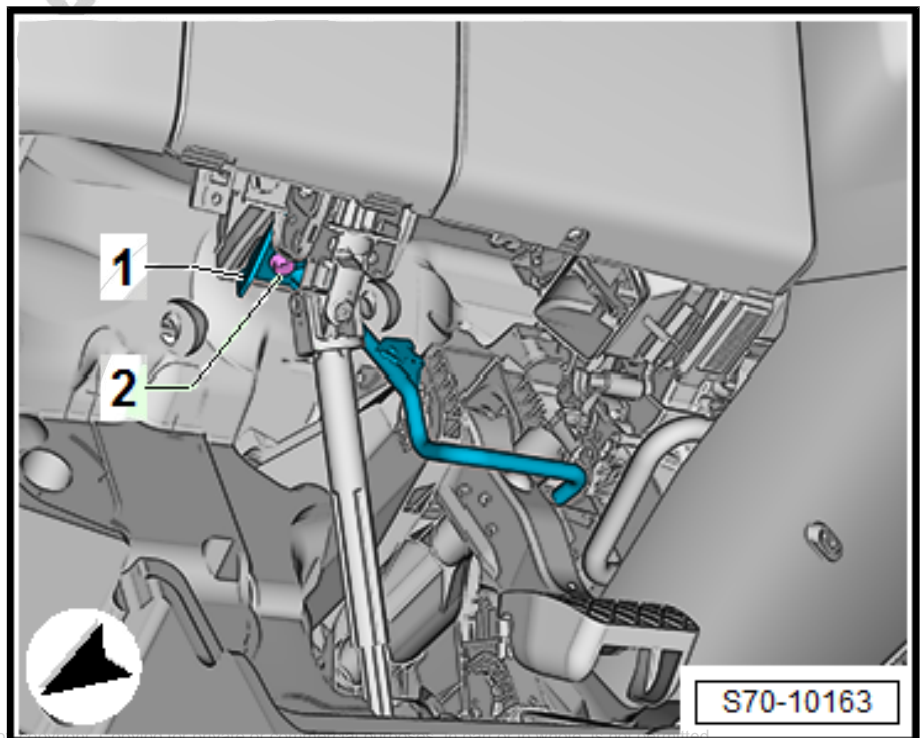
Before the installation, check all the fixing elements for damage, if necessary replace.



Protected by copyright. Copying for private or commercial purposes, in part or in whole, is not permitted unless authorised by ŠKODA AUTO A. S. ŠKODA AUTO A. S. does not guarantee or accept any liability with respect to the correctness of information in this document. Copyright by ŠKODA AUTO A. S. ©

4.3 Removing and installing crash strut

Vehicles with automatic gearbox



Protected by copyright law.
unless authorised by ŠKODA AUTO A. S. ŠKODA AUTO A. S. does not guarantee or accept any liability
with respect to the correctness of information in this document. Copyright by ŠKODA AUTO A. S. ©

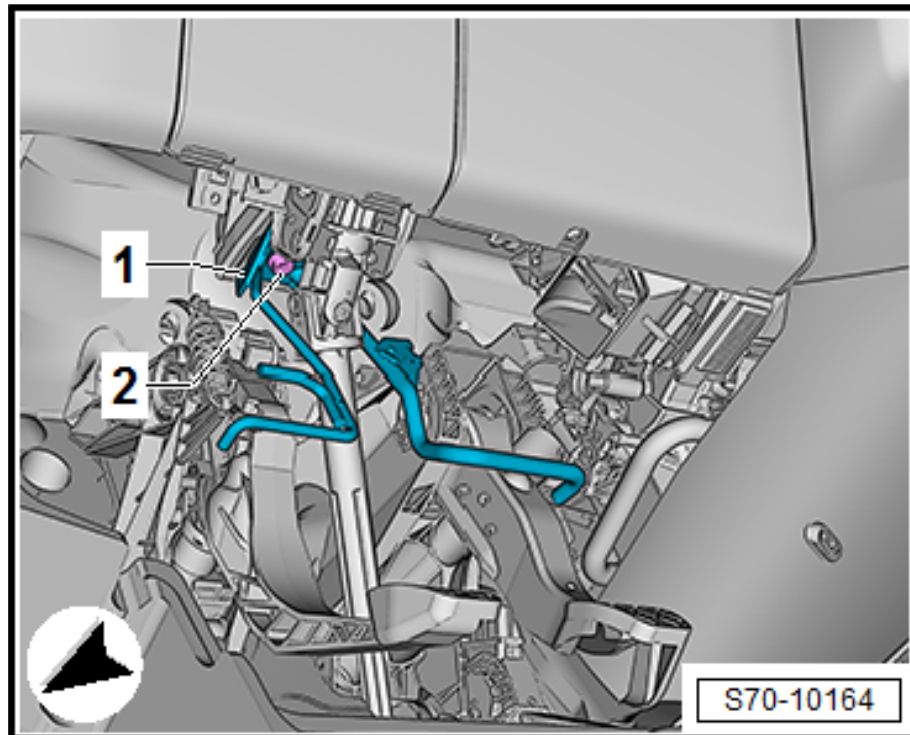
Removing

- Remove bottom steering column trim panel
⇒ [“1.2 Removing and installing the steering column trim panel”, page 1](#) .
- Remove bottom left dash panel trim.
- Remove decorative trim of dash panel
⇒ [“3.2 Removing and installing the decorative trim of the dash panel”, page 78](#) .
- Remove the footwell vent on the driver's side ⇒ Rep. gr. 87 ; Air deflector; Removing and installing the footwell vent on the driver's side .
- Remove knee airbag
⇒ [“9.2 Removing and installing airbag unit with igniter”, page 66](#) .
- Remove holder for knee airbag.
- Remove bolts of steering column ⇒ Rep. gr. 48 ; Steering column; Removing and installing steering column .
- Unhook and secure steering column.
- Remove bolt for crash strut -2-.
- Carefully remove crash strut from cross member and take out of the vehicle.

Installing

- Installation is carried out in the reverse order.

Vehicles fitted with a manual gearbox



Removing

- Remove bottom steering column trim panel
 ⇒ [“1.2 Removing and installing the steering column trim panel”, page 1](#) .
- Remove bottom left dash panel trim.
- Remove decorative trim of dash panel
 ⇒ [“3.2 Removing and installing the decorative trim of the dash panel”, page 78](#) .
- Remove the footwell vent on the driver's side ⇒ Rep. gr. 87 ; Air deflector; Removing and installing the footwell vent on the driver's side .
- Remove knee airbag
 ⇒ [“9.2 Removing and installing airbag unit with igniter”, page 66](#) .
- Remove holder for knee airbag.
- Remove bolts of steering column ⇒ Rep. gr. 48 ; Steering column; Removing and installing steering column .
- Unhook and secure steering column.
- Remove bolt for crash strut -2-.
- Carefully remove crash strut from cross member and take out of the vehicle.

Installing

- Installation is carried out in the reverse order.

Protected by copyright. Copying for private or commercial purposes, in part or in whole, is not permitted unless authorised by ŠKODA AUTO A. S. ŠKODA AUTO A. S. does not guarantee or accept any liability with respect to the correctness of information in this document. Copyright by ŠKODA AUTO A. S. ©

5 Interior trim panels

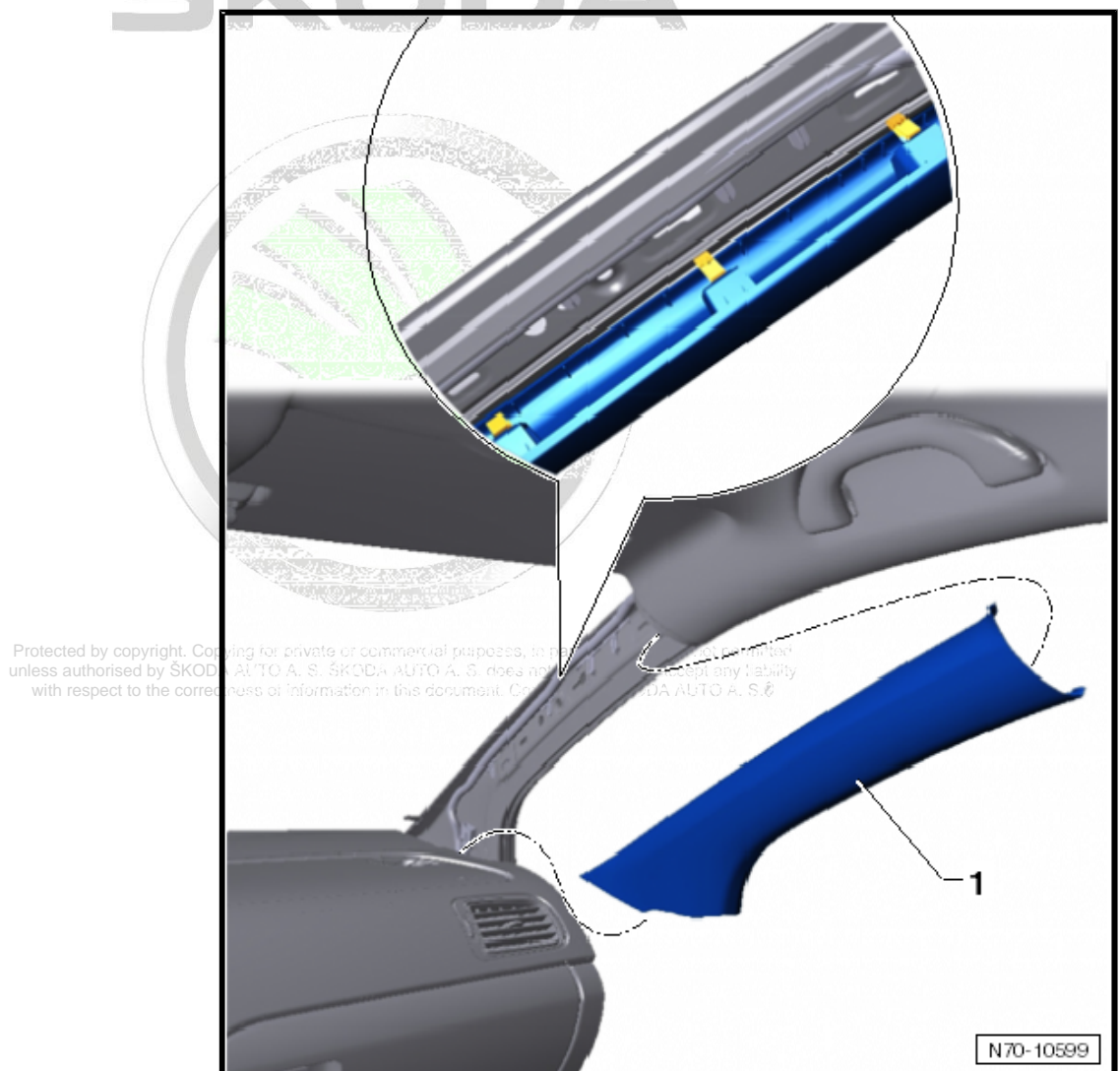
- ⇒ [“5.1 Removing and installing A-pillar trim panel”, page 95](#)
- ⇒ [“5.2 Removing and installing B-pillar trim panel”, page 98](#)
- ⇒ [“5.3 Removing and installing trim panel of pillar C”, page 101](#)
- ⇒ [“5.4 Removing and installing D-pillar trim panel”, page 102](#)
- ⇒ [“5.5 Removing and installing door sill panel”, page 103](#)
- ⇒ [“5.6 Removing and installing foot rest”, page 104](#)

5.1 Removing and installing A-pillar trim panel

- ⇒ [“5.1.1 Removing and installing bottom trim panel of pillar A on the driver's side”, page 96](#)
- ⇒ [“5.1.2 Removing and installing bottom trim panel of pillar A on the front passenger side”, page 97](#)

Removing

- Unclip the trim panel of the A pillar -1- out of the supports of the A pillar starting at the top.





Installing

- Installation is carried out in the reverse order.



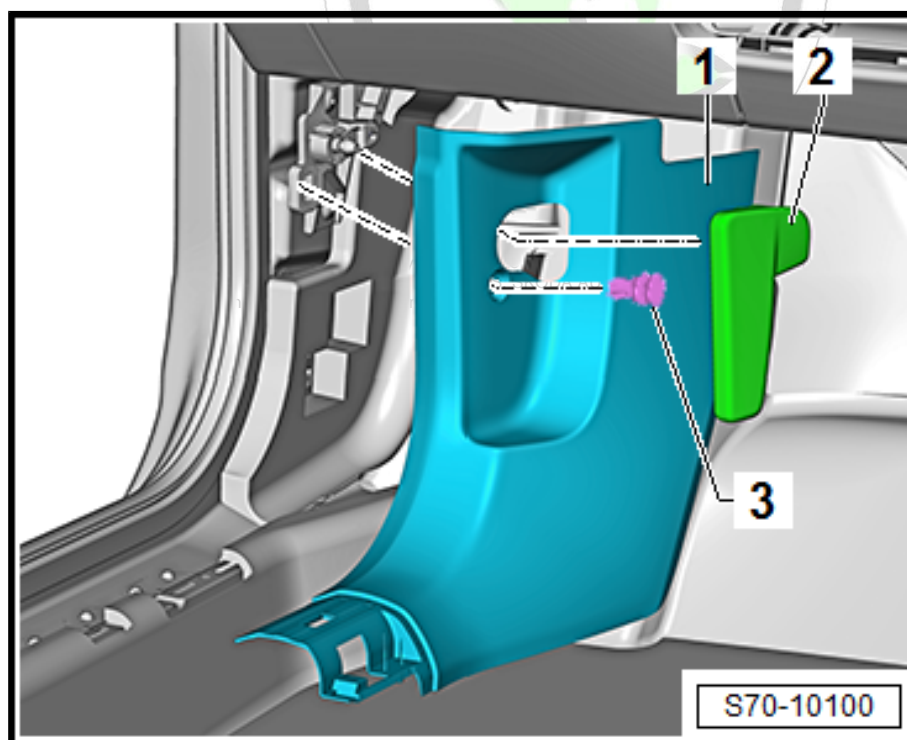
Note

- ◆ *Before the installation, check all the fixing elements for damage, if necessary replace.*
- ◆ *Ensure that the trim panel is located in the double-braided strip of the door seal after the installation.*

5.1.1 Removing and installing bottom trim panel of pillar A on the driver's side

Removing

- Remove the operating lever for the bonnet (Pos. 2) ⇒ Rep. gr. 55 ; Front flap; Removing and installing the operating lever for flap lock .
- Unclip the door sill panel in the transition area to the trim panel of the A pillar out of the supports in the body.
- Remove the straddling dowel -3-.
- Unclip trim -1- towards the inside and out of the supports in the body.



Installing



Note

- Before the installation, check the straddling dowel -3- for damage, replace if necessary.*

- Installation is carried out in the reverse order.

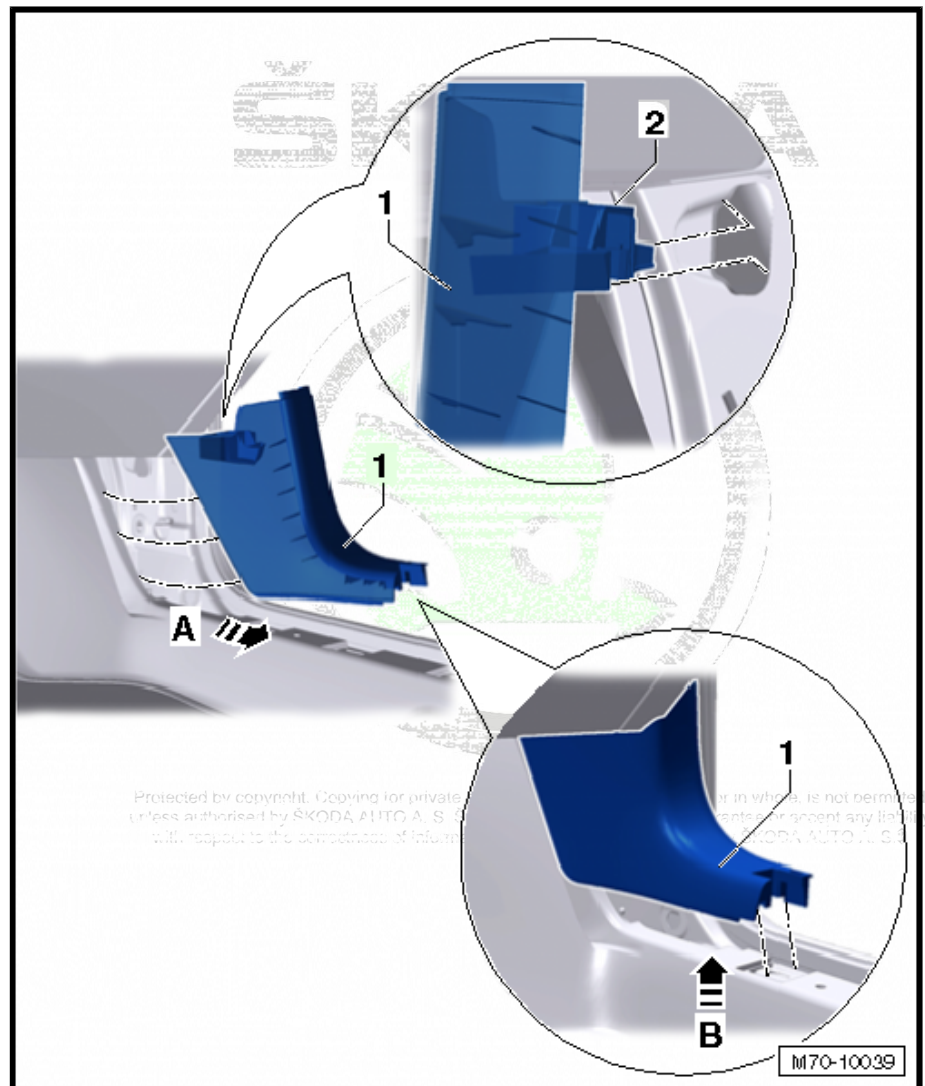
i Note

Ensure that the trim panel is located in the double-braided strip of the door seal after the installation.

5.1.2 Removing and installing bottom trim panel of pillar A on the front passenger side

Removing

- Unclip the door sill panel in the transition area to the trim panel of the A pillar out of the supports in the body.
- Release the catches -2- and pull the trim -1- towards the inside and out of the supports in the body.



Installing

- Installation is carried out in the reverse order.



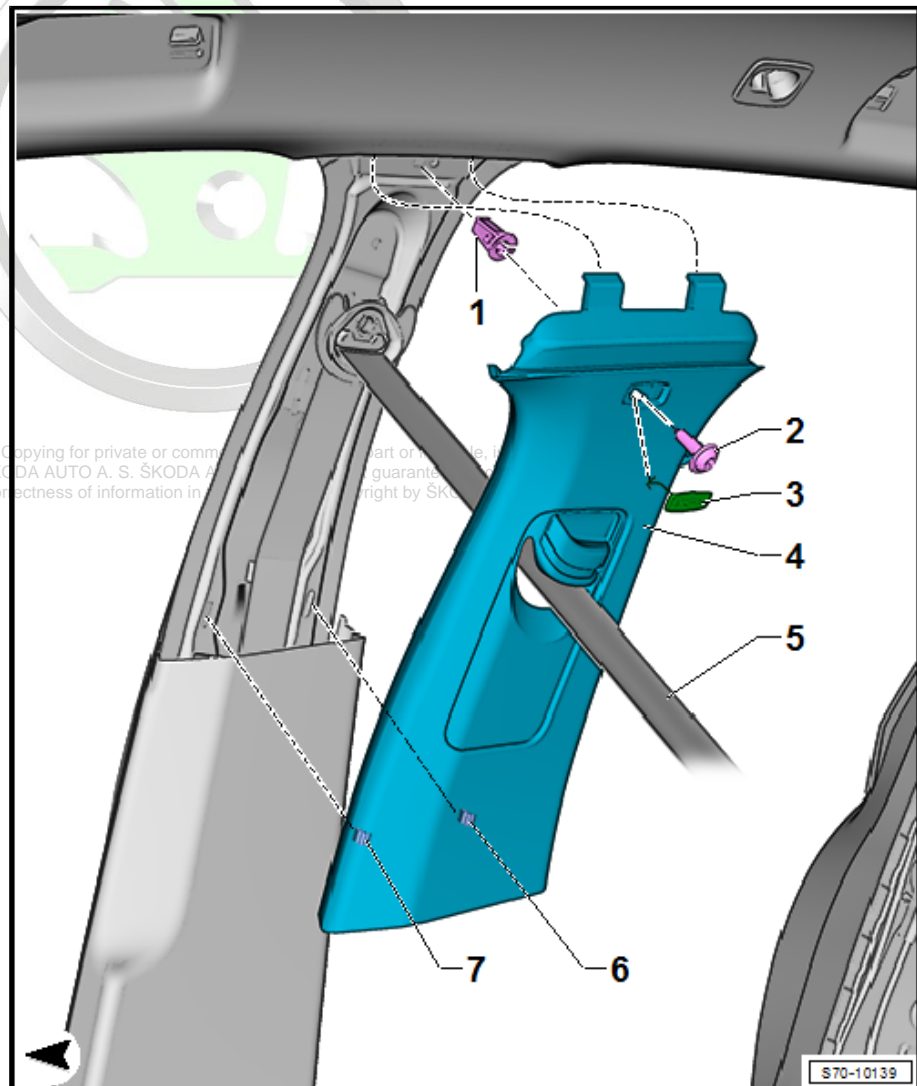
Note

- ◆ Before the installation, check all the fixing elements for damage, if necessary replace.
- ◆ Ensure that the trim panel is located in the double-braided strip of the door seal after the installation.

5.2 Removing and installing B-pillar trim panel

Removing

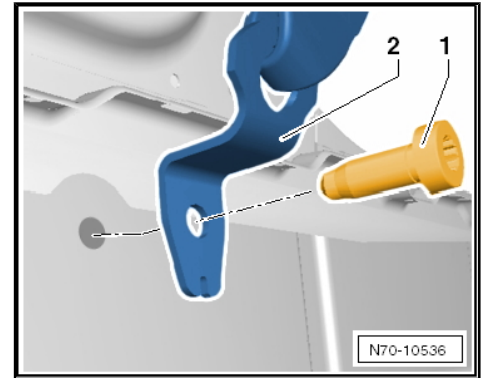
- Unclip the cover -3- for the screw marked with "airbag" (depending upon vehicle equipment).
- Remove screw -2- (1,5 Nm).
- Release the trim panel -4- out of catches -6- and -7-.
- Push the trim panel -4- at the top end out of the supports in the roof.
- After removing the bottom belt screw, pull the seat belt -5- through the trim -4-.



- Release screw for front seat belt -1- (40 Nm).
- Pull the seat belt through the opening in the trim panel.
- Remove the trim panel from the vehicle.

Installing

- Installation is carried out in the reverse order.
- After attaching the trim panel, ensure that the trim panel is located in the double-braided strip of the door seal.



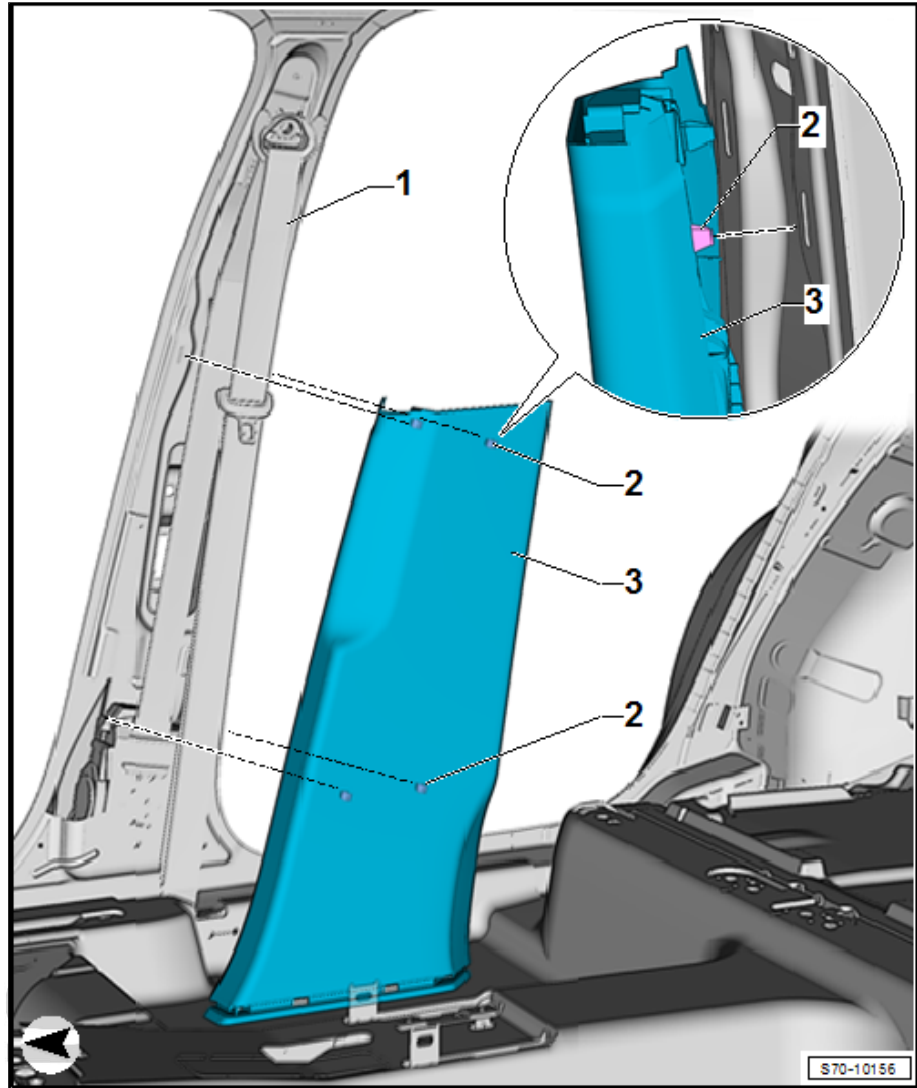
Note

- ◆ *Before the installation, check all the fixing elements for damage, if necessary replace.*
- ◆ *On vehicles with seat belt height adjuster, ensure before fastening that the seat belt height adjuster is located at the shell and the slider of the seat belt height adjuster is in the top position at the trim panel.*
- ◆ *After the installation has been performed, carry out a functional test of the seat belt height adjuster.*
- ◆ *Make sure that the seat belt is correctly positioned and has unobstructed movement.*

5.2.1 Removing and installing bottom B-pillar trim panel

Removing

- Remove top trim panel of B pillar
⇒ ["5.2 Removing and installing B-pillar trim panel", page 98](#).
- Detach door sill panel at the bottom in region of B-pillar trim.
- Detach bottom trim -1- at point of clips -2-.
- Detach at the connection point with the door sill panel.
- Remove the trim panel from the vehicle.
- Disconnect the connector from the driver's side interior monitoring switch (depending on vehicle equipment).



Installing

- Installation is carried out in the reverse order.
- After installing the trim panels, ensure that the trim panels are located in the double-braided strip of the door seal.
- Check whether the bottom B-pillar trim panel and the door sill panel are clipped together and fitted.

i Note

- ◆ *Before the installation, check all the fixing elements for damage, if necessary replace.*
- ◆ *On vehicles with seat belt height adjuster, ensure before installing that the seat belt height adjuster is located at the shell and the slider of the seat belt height adjuster is in the top position at the trim panel.*
- ◆ *After the installation has been performed, carry out a functional test of the seat belt height adjuster.*
- ◆ *Make sure that the seat belt is correctly positioned and has unobstructed movement.*

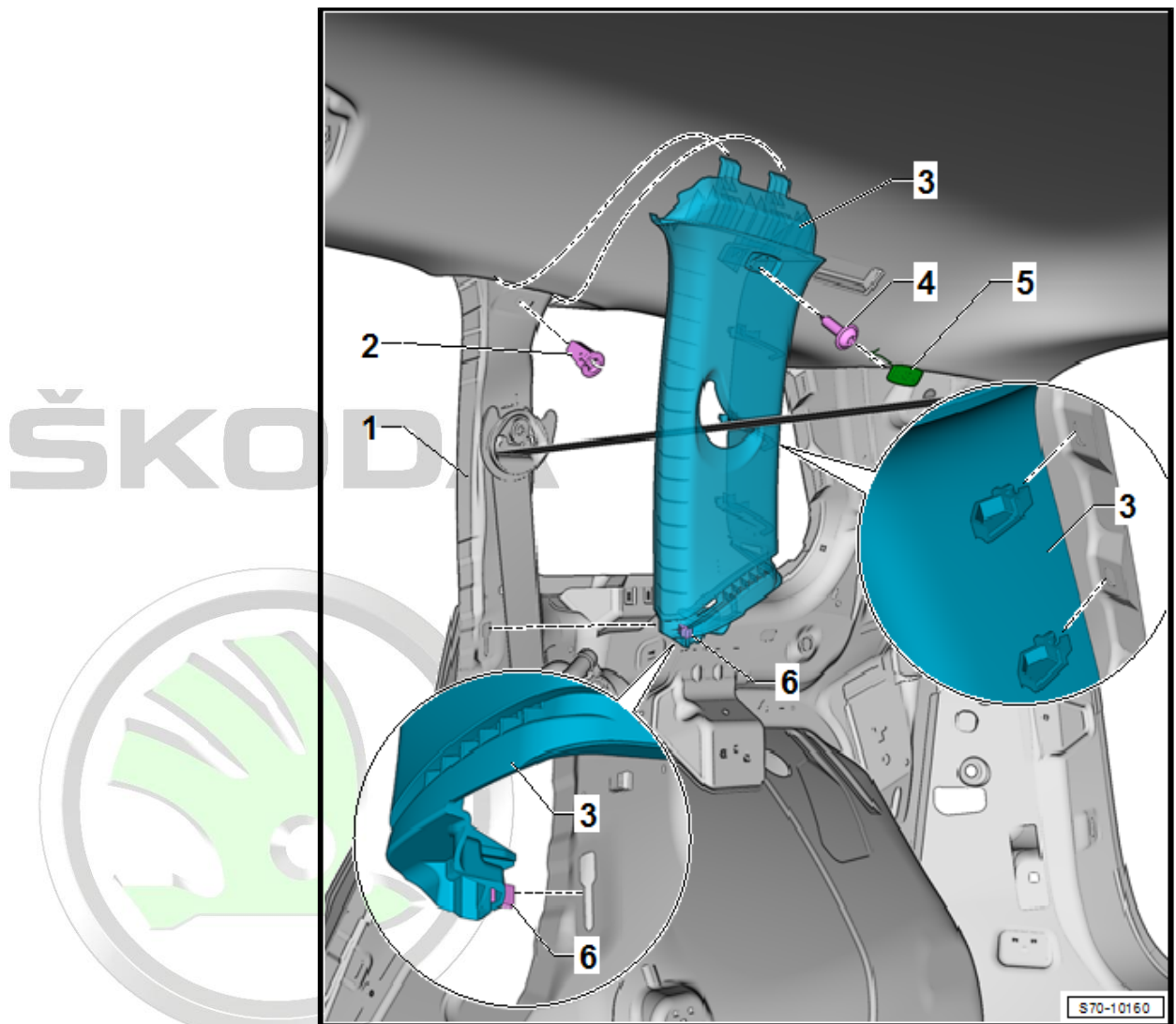
ŠKODA AUTO A. S. SKODA AUTO A. S. does not guarantee or accept any liability with respect to the correctness of information in this document. Copyright by ŠKODA AUTO A. S.

i Note

When replacing the bottom B-pillar trim panel with a new part, you must create an opening for the interior monitoring sensor (depending on vehicle equipment). This opening is pre-marked on the inside of the trim. Create the opening with standard workshop tools.

5.3 Removing and installing trim panel of pillar C

Removing



S70-10160

Protected by copyright. Copying for private or commercial purposes, in part or in whole, is not permitted unless authorized in writing by SKODA AUTO A. S. ©

- Loosen the C-pillar trim panel -3- in the front area out of the double-braided strip of the door seal.
- Removing side trim panel in luggage compartment
 ⇒ ["6.6 Removing and installing luggage compartment side trim panel", page 111](#) .
- Unclip cover for screw -5-.
- Remove screw -4- (1,5 Nm).
- Loosen the trim panel from the retaining clips -6-.

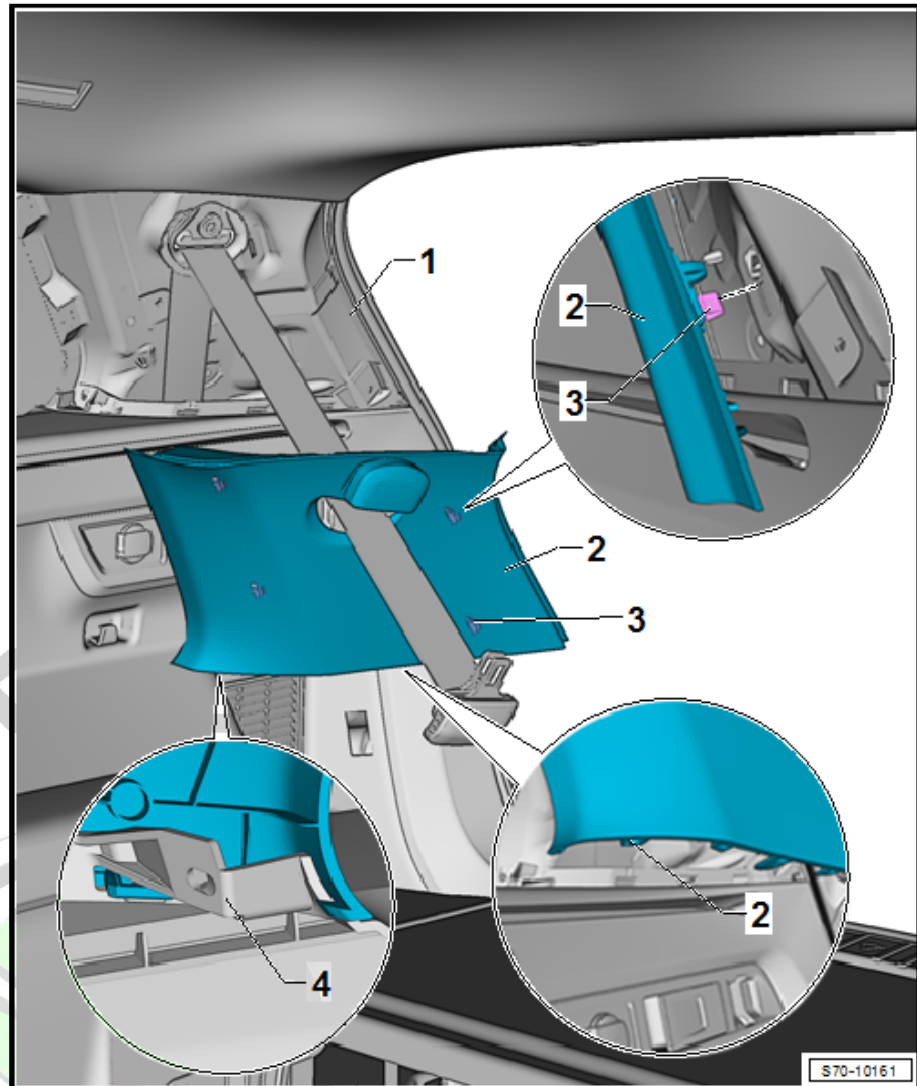


- Push the guides of the C pillar trim panel out of the openings in the roof and take the trim panel out of the vehicle.

Installing

- Installation is carried out in the reverse order.

5.4 Removing and installing D-pillar trim panel



- Detach the D-pillar trim panel -2- from the tailgate seal.
- Loosen the trim panel from the retaining clips -3-.
- Unclip the D-pillar trim panel from the luggage compartment side trim panel.
- Pull the seat belt through the opening in the trim panel (depending on vehicle equipment).
- Remove the trim panel from the vehicle.

Installing

- Installation is carried out in the reverse order.

i Note

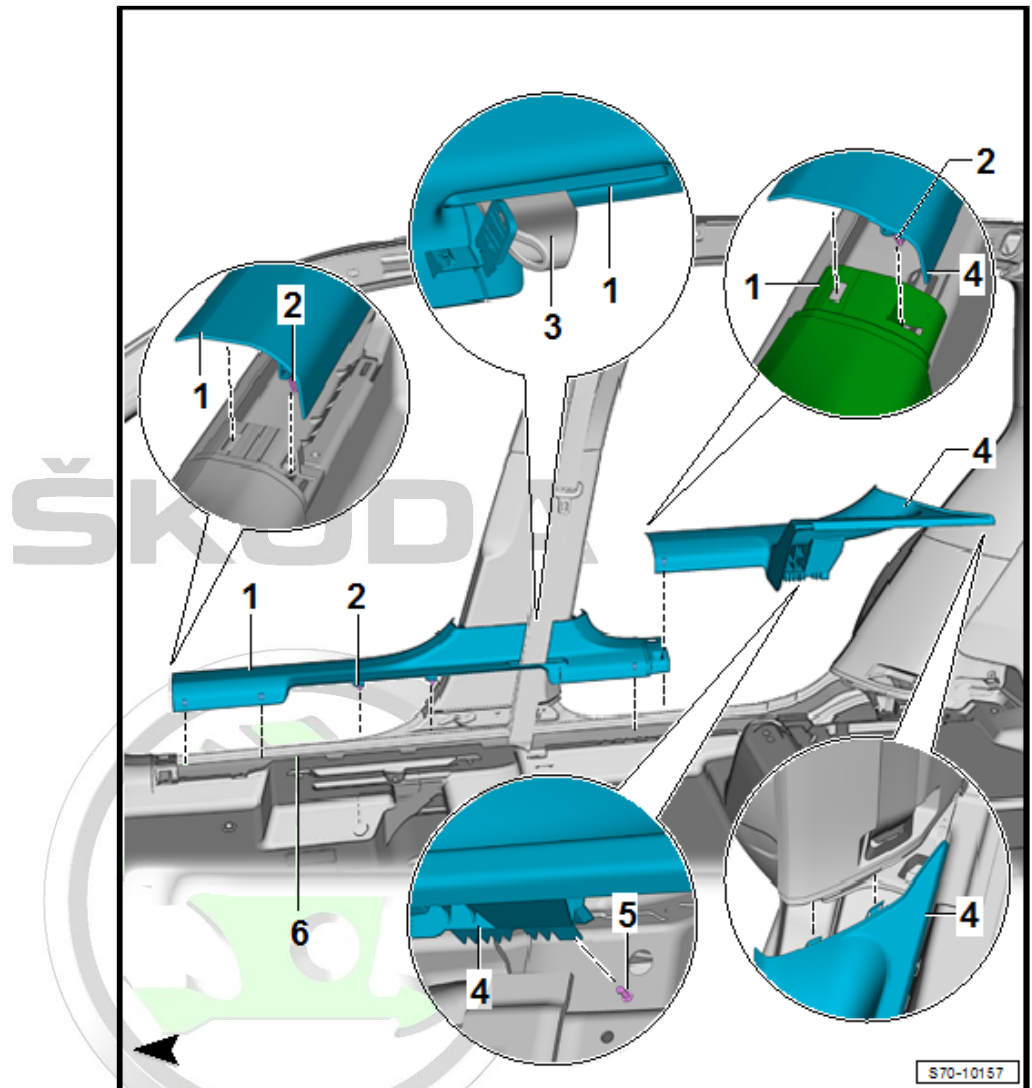
Before the installation, check all the fixing elements for damage, if necessary replace.

- After installing the trim panel, ensure that the trim panel is located in the double-braided strip of the door seal.

5.5 Removing and installing door sill panel

Removing

- Detach the sill panel -4- at the connection point with the front door sill panel -1-.
- Unclip all the retaining clips -2- of the door sill panel.
- Slide the door sill panel out of the luggage compartment side trim panel.
- Remove the door sill panel - 4 - from the vehicle.



- Unclip the door sill panel -1- from the retaining clips -2-.

Protected by copyright. Copying for private or commercial purposes, in part or in whole, is not permitted unless authorised by ŠKODA AUTO A. S. ŠKODA AUTO A. S. does not guarantee or accept any liability with respect to the correctness of information in this document. Copyright by ŠKODA AUTO A. S. ©



- Detach the door sill panel from the bottom trim panel of the B-pillar.
- Pull the seat belt -3- out of the trim panel -1-.
- Take the sill panel - 6 - out of the vehicle.

Installing

- Installation is carried out in the reverse order.
- Ensure that the door sill panel is placed in the double-braided strip of the door seal.



Note

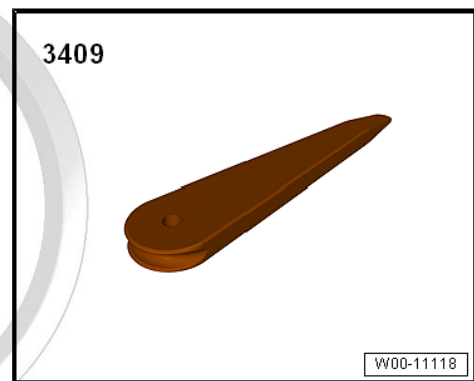
Before the installation, check all the fixing elements for damage, if necessary replace.

ŠKODA

5.6 Removing and installing foot rest

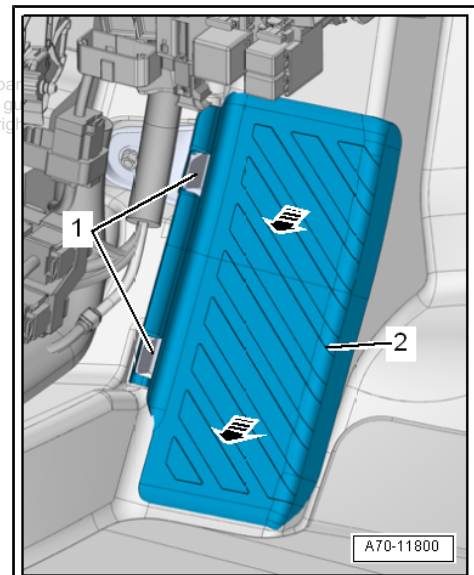
Special tools and workshop equipment required

- ◆ Removal wedge - 3409-



Removing

- Remove bottom trim panel of pillar A on the driver's side
⇒ ["5.1.1 Removing and installing bottom trim panel of pillar A on the driver's side", page 96](#).
- Unlock catches - 1 -, press bearing bolt - 2 - with e.g. disassembly wedge - 3409- - arrows - and remove.





- Press floor covering in region of screw connections to one side and remove nuts - arrows -.
- Pry mounting bracket - 1 - from threaded bolts and pull out underneath floor covering.

Installing

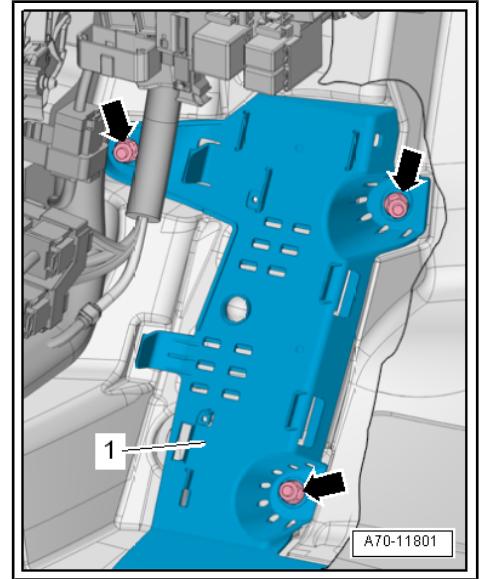
Note

Before installation, check the clip connections for damage and replace if necessary.

Installation is carried out in the reverse order.

Specified torque

- ◆ 2 Nm.



ŠKODA



Protected by copyright. Copying for private or commercial purposes, in part or in whole, is not permitted unless authorised by ŠKODA AUTO A. S. ŠKODA AUTO A. S. does not guarantee or accept any liability with respect to the correctness of information in this document. Copyright by ŠKODA AUTO A. S. ©



6 Luggage compartment trim panels

⇒ [“6.1 Summary of components - luggage compartment side trim panel”, page 106](#)

⇒ [“6.2 Summary of components - bottom trim panel for tailgate”, page 107](#)

⇒ [“6.3 Summary of components - top trim panel for tailgate”, page 108](#)

⇒ [“6.4 Removing and installing the bottom trim panel for the tailgate”, page 109](#)

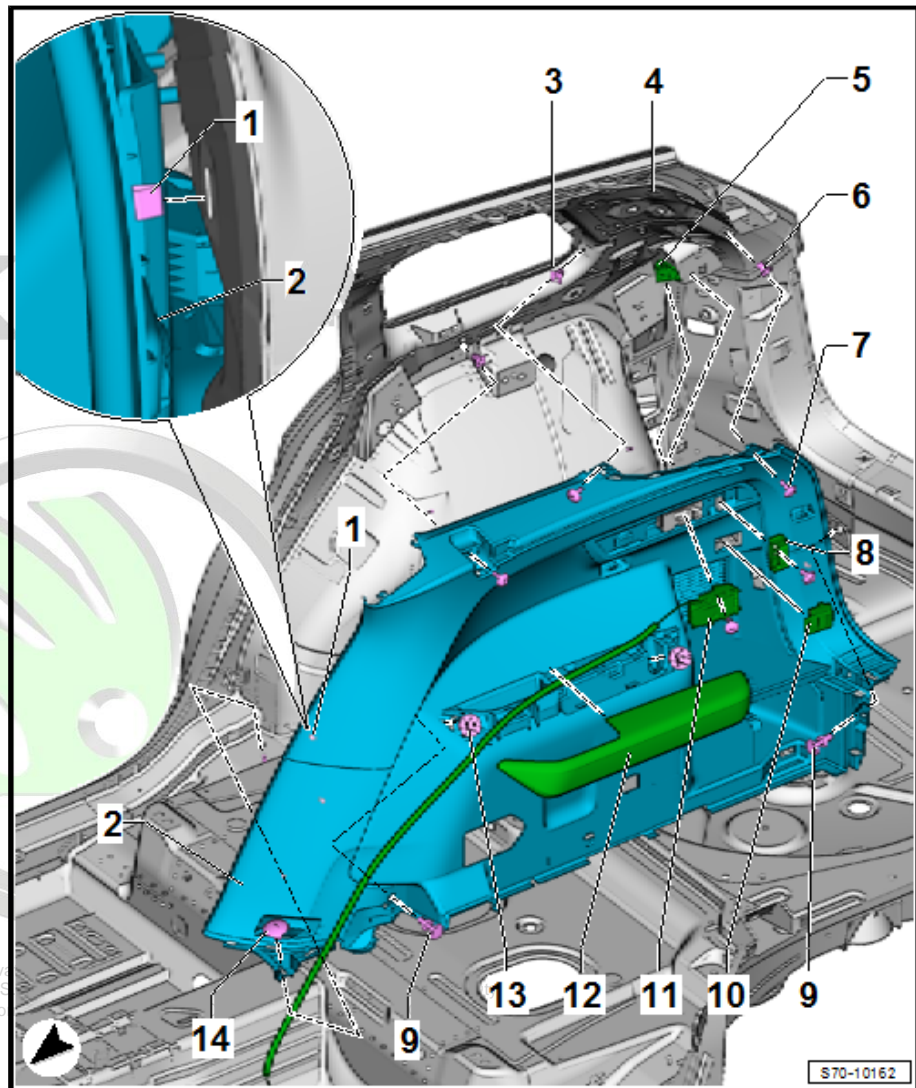
⇒ [“6.5 Removing and installing the top trim panel for the tailgate”, page 110](#)

⇒ [“6.6 Removing and installing luggage compartment side trim panel”, page 111](#)

⇒ [“6.7 Removing and installing lock carrier trim”, page 113](#)

6.1 Summary of components - luggage compartment side trim panel

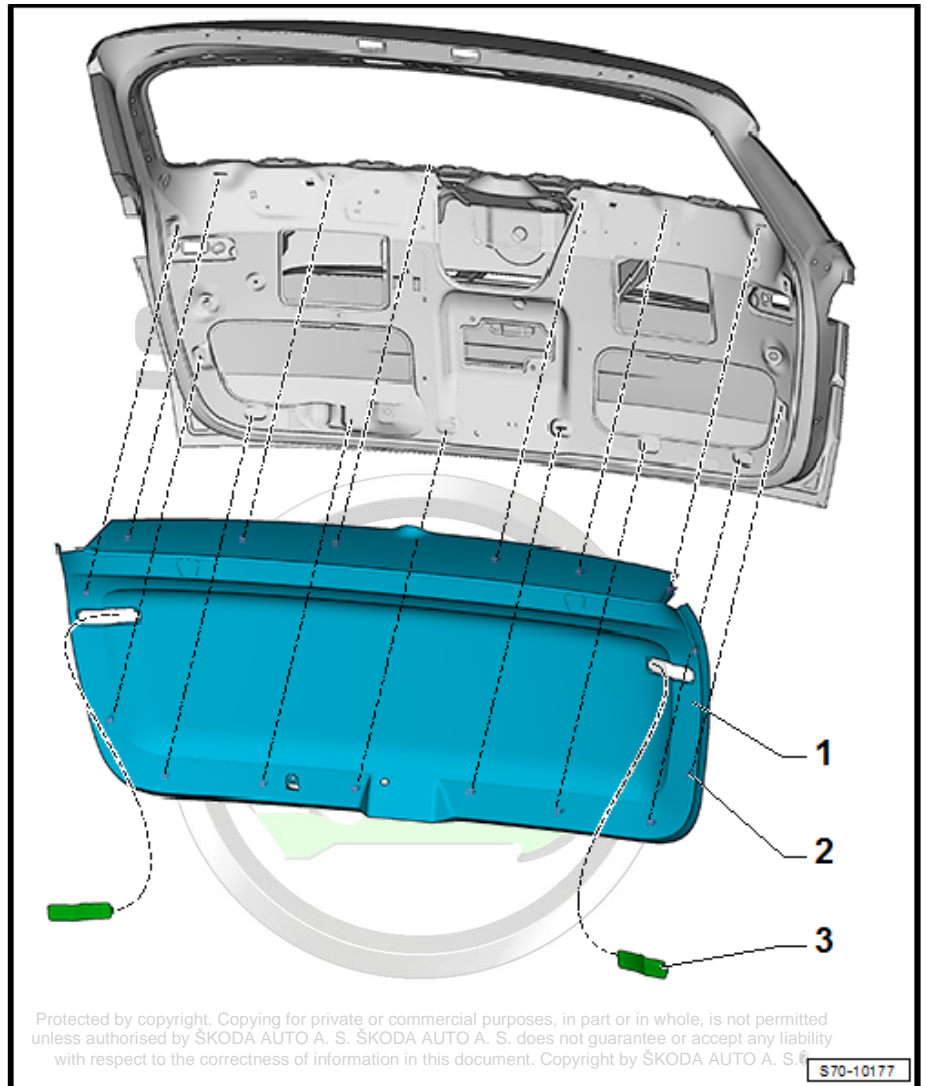
- 1 - Clamp
- 2 - Luggage compartment side trim panel
- 3 - Expanding nut
- 4 - Wheelhouse
- 5 - Attachment angle
- 6 - Expanding nut
- 7 - Screw
 - 2.5 Nm.
- 8 - Clothes hook
- 9 - Body-bound rivet
- 10 - Electric release of the trailer coupling (depending on vehicle equipment)
- 11 - Release of the seats
- 12 - Grip
- 13 - Plastic nut
 - 2 Nm.
- 14 - Plastic screw



Protected by copyright. Copying for private use is permitted, unless authorised by ŠKODA AUTO A. S. with respect to the correctness of information.

6.2 Summary of components - bottom trim panel for tailgate

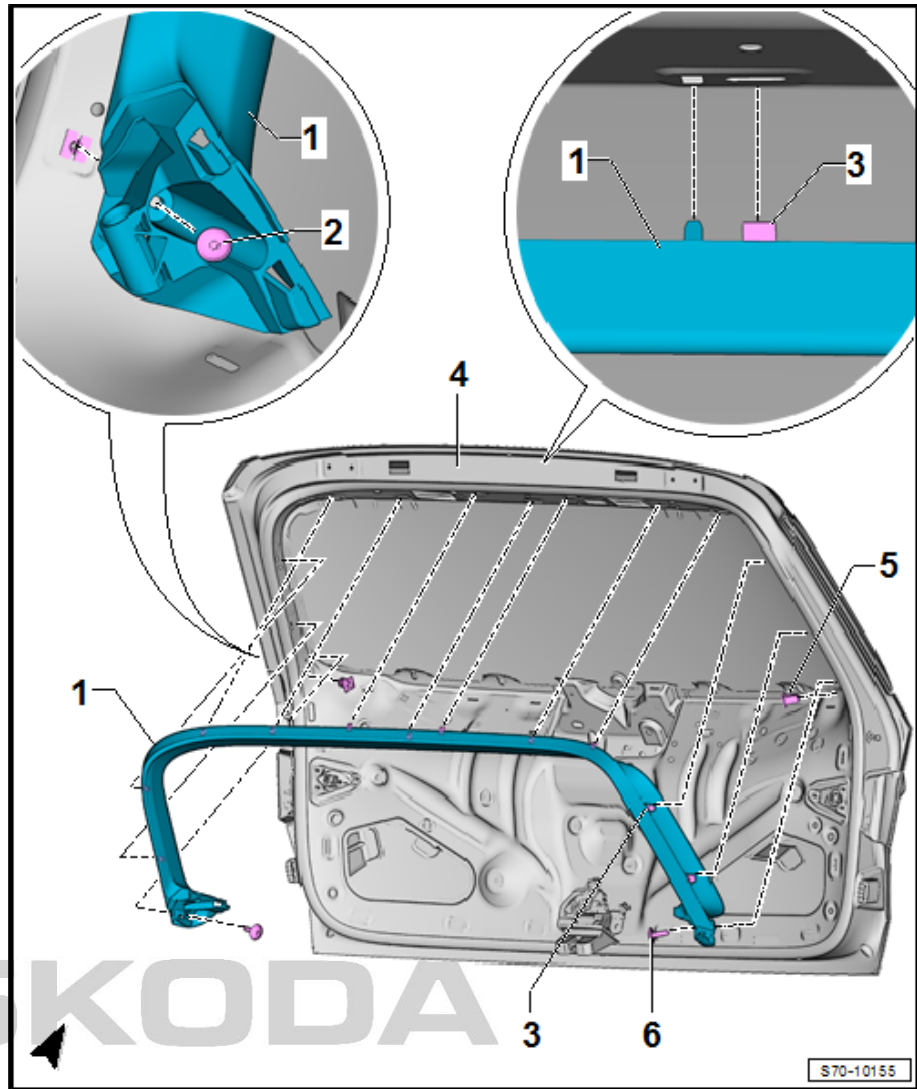
- 1 - Bottom trim panel for tailgate
- 2 - Clip
- 3 - Cap





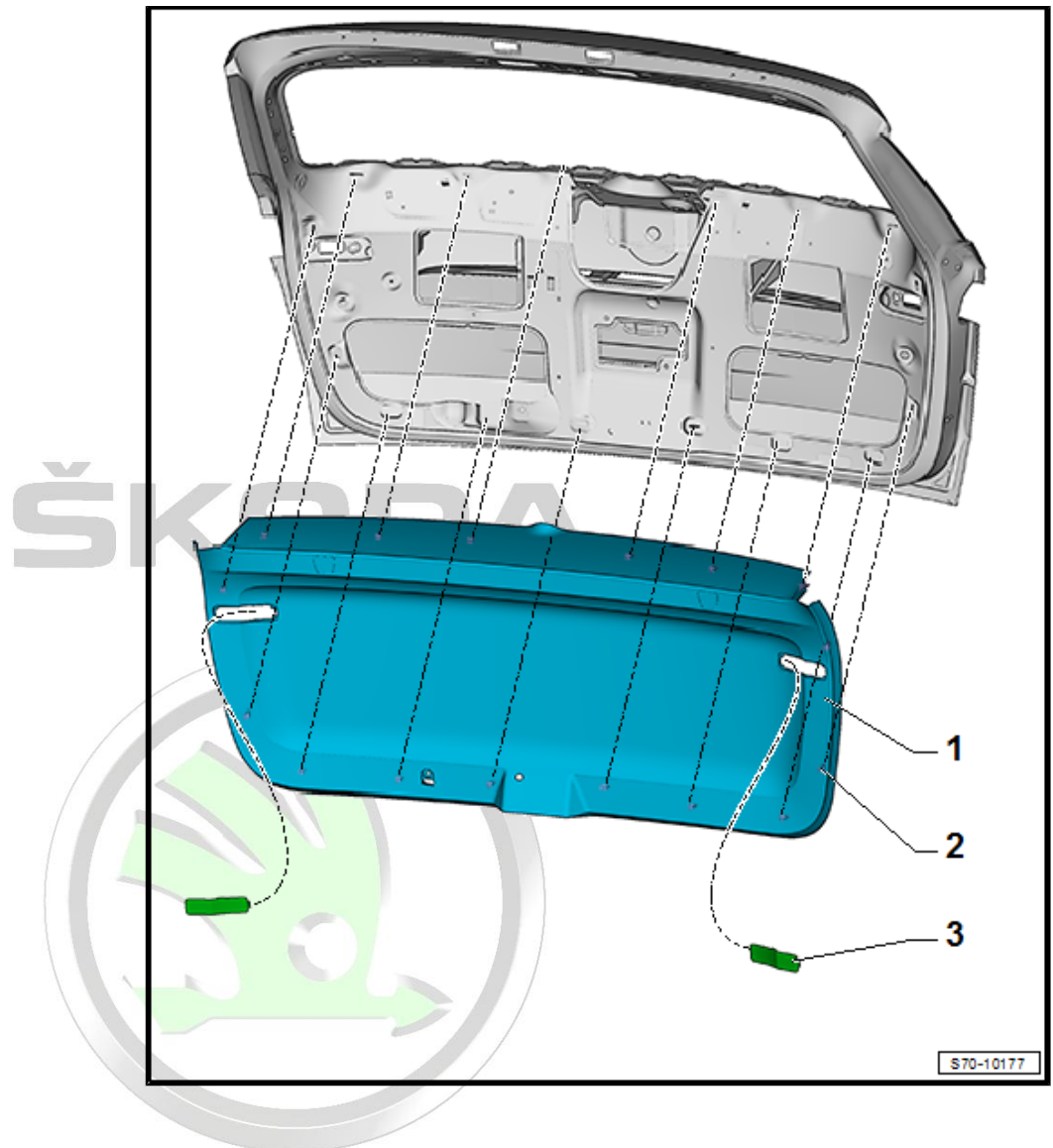
6.3 Summary of components - top trim panel for tailgate

- 1 - Top tailgate trim
- 2 - Screw
 - Tightening torque: 1.5 Nm.
- 3 - Clip
- 4 - Tailgate
- 5 - Expanding nut
- 6 - Screw
 - Tightening torque: 2 Nm.



Protected by copyright. Copying for private or commercial purposes, in part or in whole, is not permitted unless authorised by ŠKODA AUTO A. S. ŠKODA AUTO A. S. does not guarantee or accept any liability with respect to the correctness of information in this document. Copyright by ŠKODA AUTO A. S. ©

6.4 Removing and installing the bottom trim panel for the tailgate



Removing

- Unclip trim panel by operating the electric tailgate lock and disconnect plug (depending upon vehicle equipment).
- Level off the trim panel in sequence from the clips (pos. 2) with e.g. disassembly wedge - 3409- .
- Remove the trim panel from the tailgate.

Installing

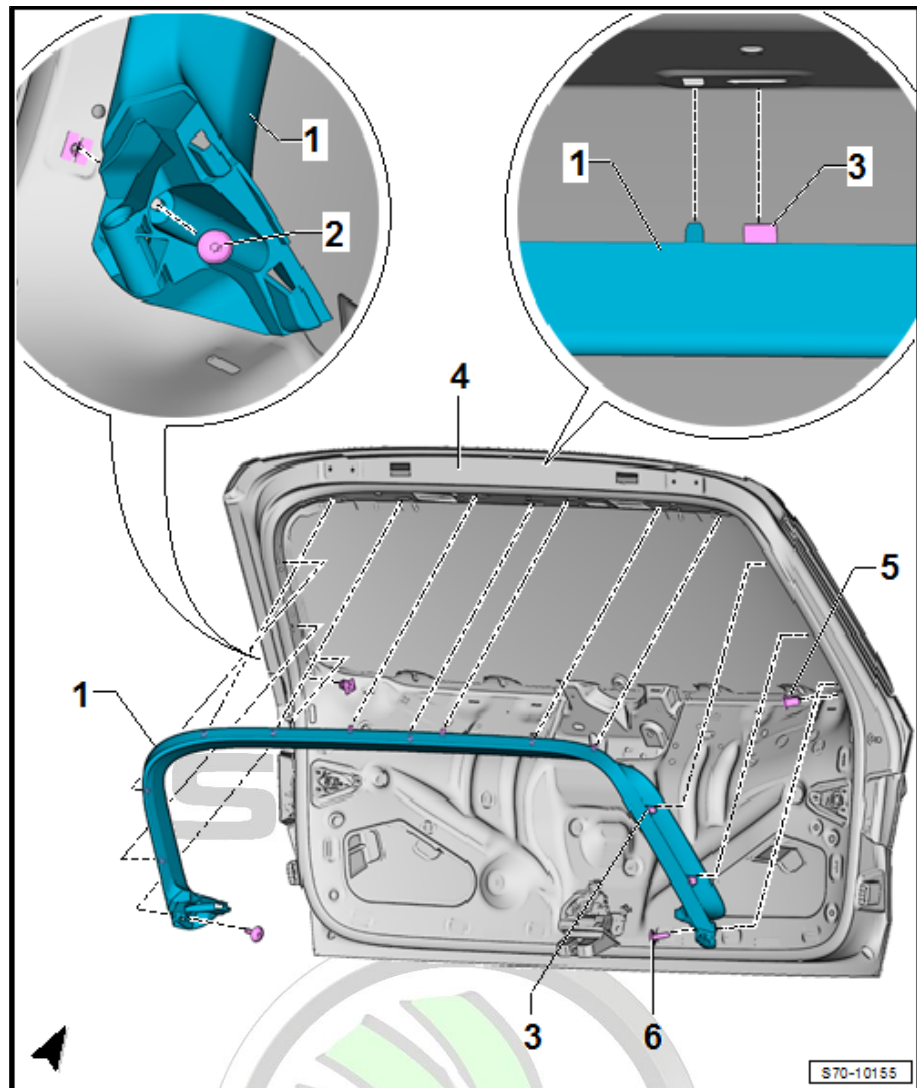
- Installation is carried out in the reverse order.
- Make sure that it locks securely in the openings.

i Note

The new tailgate trim panel for vehicles with electric tailgate opening is supplied without a cutout for the control element for the tailgate lock. The cutout is pre-marked on the tailgate trim panel. Before assembly, cut out the cutout with standard workshop tools.



6.5 Removing and installing the top trim panel for the tailgate



Removing

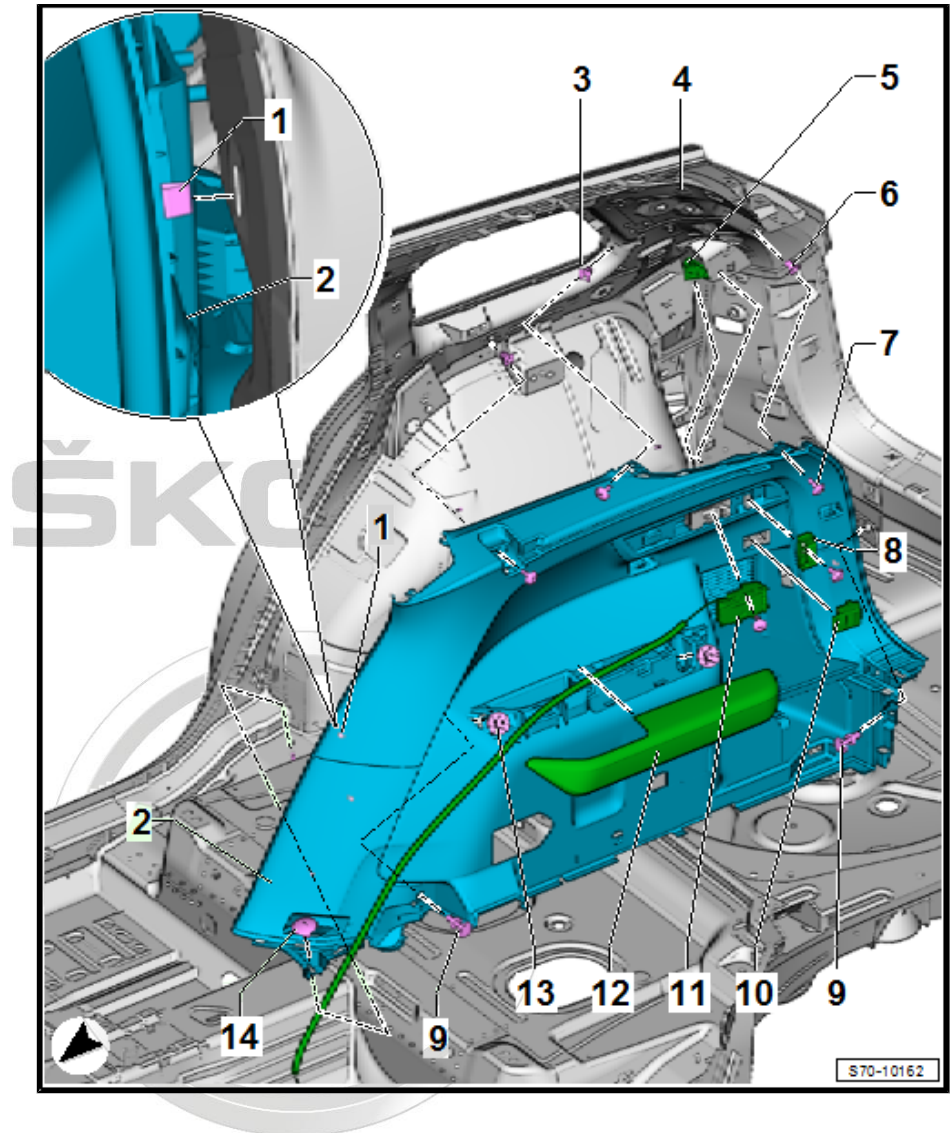
- Removing bottom trim panel for tailgate
 => ["6.4 Removing and installing the bottom trim panel for the tailgate", page 109](#) .
- Remove screws (Pos. 6).
- Unclip trim from all the clips in sequence.
- Proceed from the connection point to bottom tailgate trim.

Installing

- Installation is carried out in the reverse order.

Protected by copyright. Copying for private or commercial purposes, in part or in whole, is not permitted by ŠKODA AUTO A. S. ŠKODA AUTO A. S. does not guarantee or accept any liability with respect to the correctness of information in this document. Copyright by ŠKODA AUTO A. S. ©

6.6 Removing and installing luggage compartment side trim panel



Removing

- Remove rear seat
 ⇒ [“2.2 Removing and installing the rear seat bench / individual seats”, page 130](#) (depending on equipment, 2nd and/or 3rd seat row).
- Remove the luggage compartment floor.
- Remove lock carrier trim
 ⇒ [“6.7 Removing and installing lock carrier trim”, page 113](#) .
- Remove the hanging hook -8-.
- Unclip handle -12-.
- Remove plastic nuts - 13 -.
- Remove D-pillar trim panel
 ⇒ [“5.4 Removing and installing D-pillar trim panel”, page 102](#) .
- Removing body-bound rivet -9-.
- Remove plastic screw - 14 -.



- Release screws -3- and -7-.
- Remove tailgate seal in the area of the luggage compartment side trim panel.
- Unclip the trim panel from the clips -1-.
- Detach the control cable for the seat release -11- and take out of the clips.
- Disconnect plug for 12V socket for trailer coupling switch -10- (depending on vehicle equipment, there may be other equipment as well).
- Take the trim - 2 - out of the vehicle.

Installing

- Installation is carried out in the reverse order.

6.6.1 Cutting out the opening for switch for swivelling trailer coupling

Cutting out the opening for five-seat version (plastic trim)

- An opening is cut out in the trim panel at the factory.
- A smaller opening can be made in the trim panel with commercially available workshop equipment.
- Use the cutters to create an accurate opening.
- Break off another section of the knife blade to create a new opening.
- During installation of the switch, the lock must audibly engage.



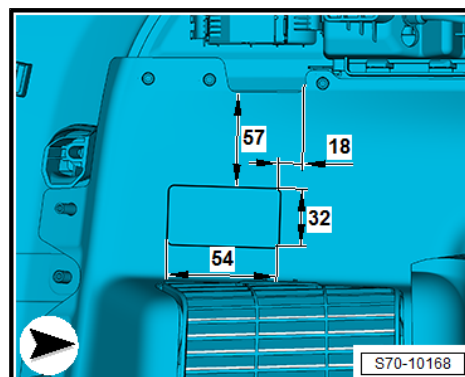
Note

When creating the opening, make sure that the dimensions are accurate!

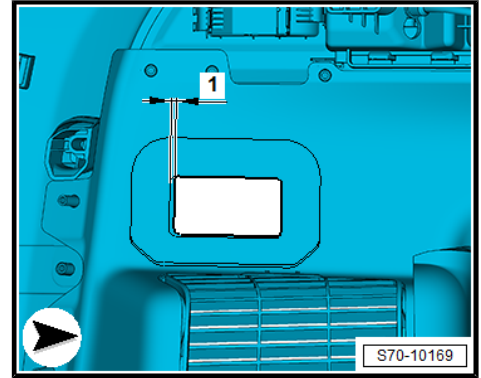
Protected by copyright. Copying for private or commercial purposes, in part or in whole, is not permitted unless authorised by ŠKODA AUTO A. S. ŠKODA AUTO A. S. does not guarantee or accept any liability with respect to the correctness of information in this document. Copyright by ŠKODA AUTO A. S. ©

Cutting out the opening for seven-seat version (carpet trim)

- Prepare the inner frame for gluing to the trim panel.
- Rough the adhesive surface with sandpaper.
- Clean and degrease with cleaning agent.
- Measure the opening to be cut out from the rear of trim, as shown in the figure.
- Apply adhesive D 001 210 M2 to the inner frame and to the trim panel over the area to be glued.
- Leave the adhesive to dry.
- Press on the inner frame at the applicable point.
- Secure the frame with clamps and leave the adhesive to dry.
- After drying, accurately cut through the trim panel in the frame with the cutters.

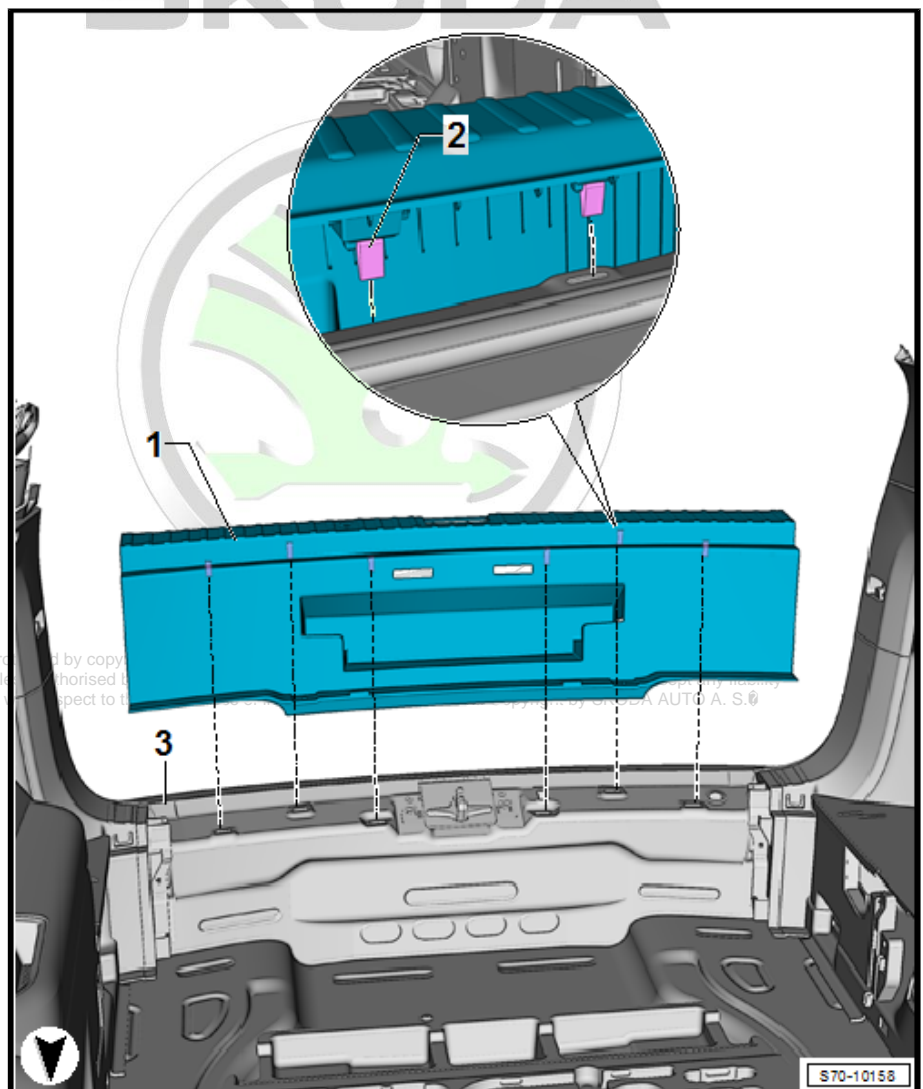


- Add an additional 1mm on one side of the trim panel, as shown in the figure.
- Slide the switch for the trailer coupling into the opening and clip onto the inner frame.
- The lock must audible engage.



6.7 Removing and installing lock carrier trim

Removing



- Fold up the cover of the luggage compartment floor and if necessary partially remove the raised luggage compartment floor (depending on vehicle equipment).
- Loosen the retaining clips -2- of the trim panel -1-.



- Remove tailgate/luggage compartment cover -1- upwards from lock carrier and take out of the vehicle.

Installing

- Installation is carried out in the reverse order.



Note

Before the installation, check all the fixing elements for damage, if necessary replace.

- Ensure that the tailgate/luggage compartment cover is located in the double-braided strip of the tailgate seal after the installation.

ŠKODA



Protected by copyright. Copying for private or commercial purposes, in part or in whole, is not permitted unless authorised by ŠKODA AUTO A. S. ŠKODA AUTO A. S. does not guarantee or accept any liability with respect to the correctness of information in this document. Copyright by ŠKODA AUTO A. S. ©

7 Roof trim panels

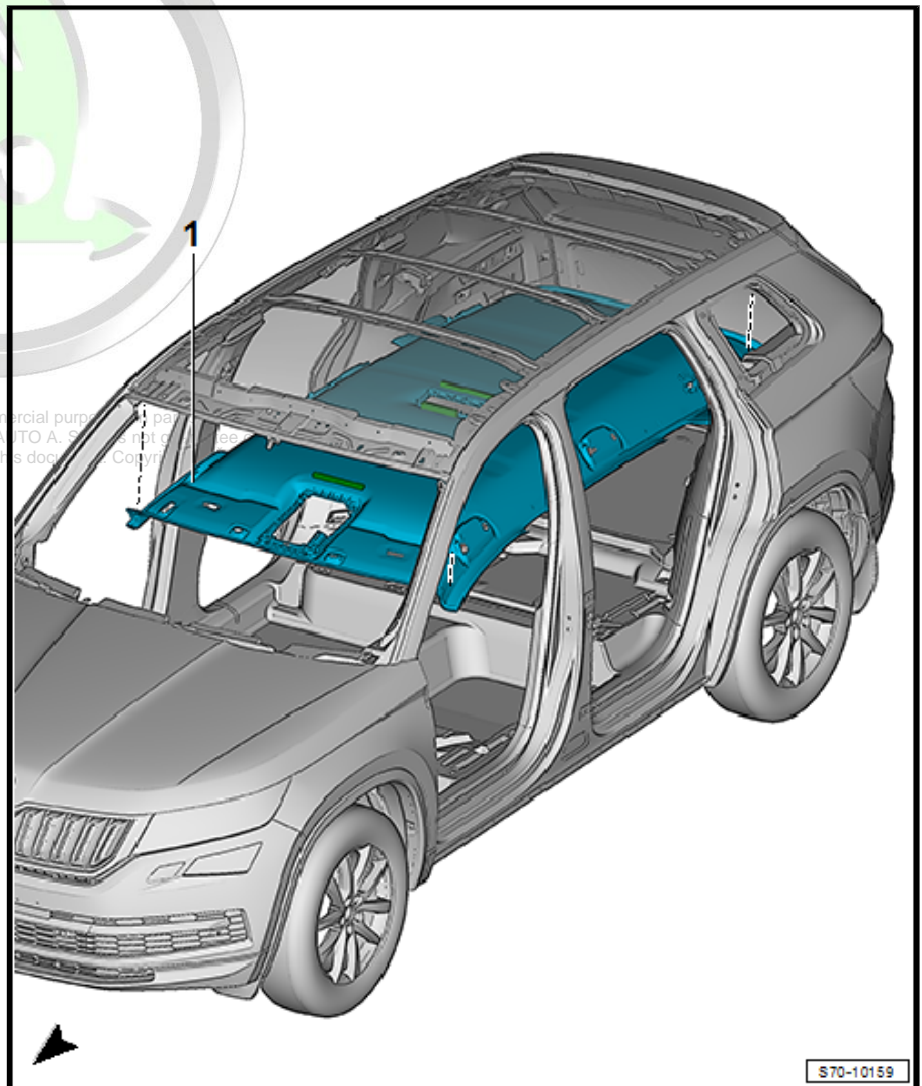
⇒ [“7.1 Summary of components - Moulded headliner”, page 115](#)

⇒ [“7.2 Removing and installing moulded headliner”, page 115](#)

7.1 Summary of components - Moulded headliner

1 - Moulded headliner

Removing and installing
⇒ [“7.2 Removing and installing moulded headliner”, page 115](#).



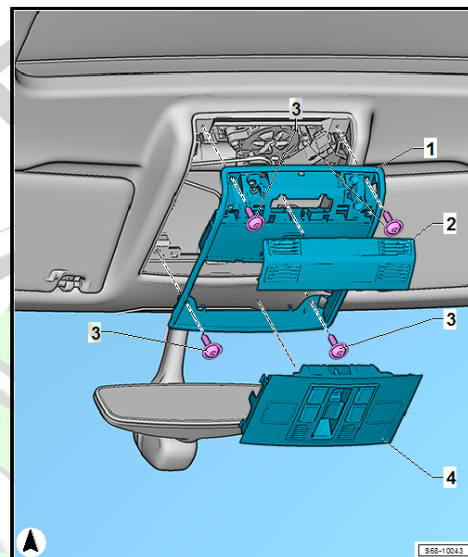
Protected by copyright. Copying for private or commercial purposes is prohibited unless authorised by ŠKODA AUTO A. S. ŠKODA AUTO A. S. is not responsible for any errors with respect to the correctness of information in this document. Copying is prohibited.

7.2 Removing and installing moulded headliner

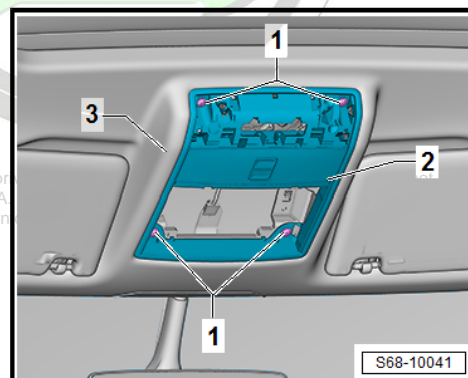
Removing

- Switch off the ignition and all electrical components.
- Removing sun visors
⇒ [“2.2 Removing and installing the sun visor”, page 5](#).
- Remove the top trim panel of the pillar A
⇒ [“5.1 Removing and installing A-pillar trim panel”, page 95](#).
- Loosen the top trim panel of pillar B
⇒ [“5.2 Removing and installing B-pillar trim panel”, page 98](#).

- Remove the trim panels of C-pillar
 ⇒ ["5.3 Removing and installing trim panel of pillar C"](#),
[page 101](#) .
- Remove the D pillar trim panels
 ⇒ ["5.4 Removing and installing D-pillar trim panel"](#),
[page 102](#) .
- Remove the recessed handles of the roof
 ⇒ ["2.3 Removing and installing the recessed handles of the roof"](#), [page 6](#) .
- Remove rear seat
 ⇒ ["2.2 Removing and installing the rear seat bench / individual seats"](#), [page 130](#) .
- Fold back front passenger seat.
- Put the steering wheel into the lowest position by means of the adjustment functions.
- Press cover -2- out of the headliner -3- and remove.
- Remove front interior light with sunroof control unit (depending on equipment) and interior light controls -2- ⇒ Electrical System; Rep. gr. 96 ; Controls; Removing and installing front interior light/reading light .

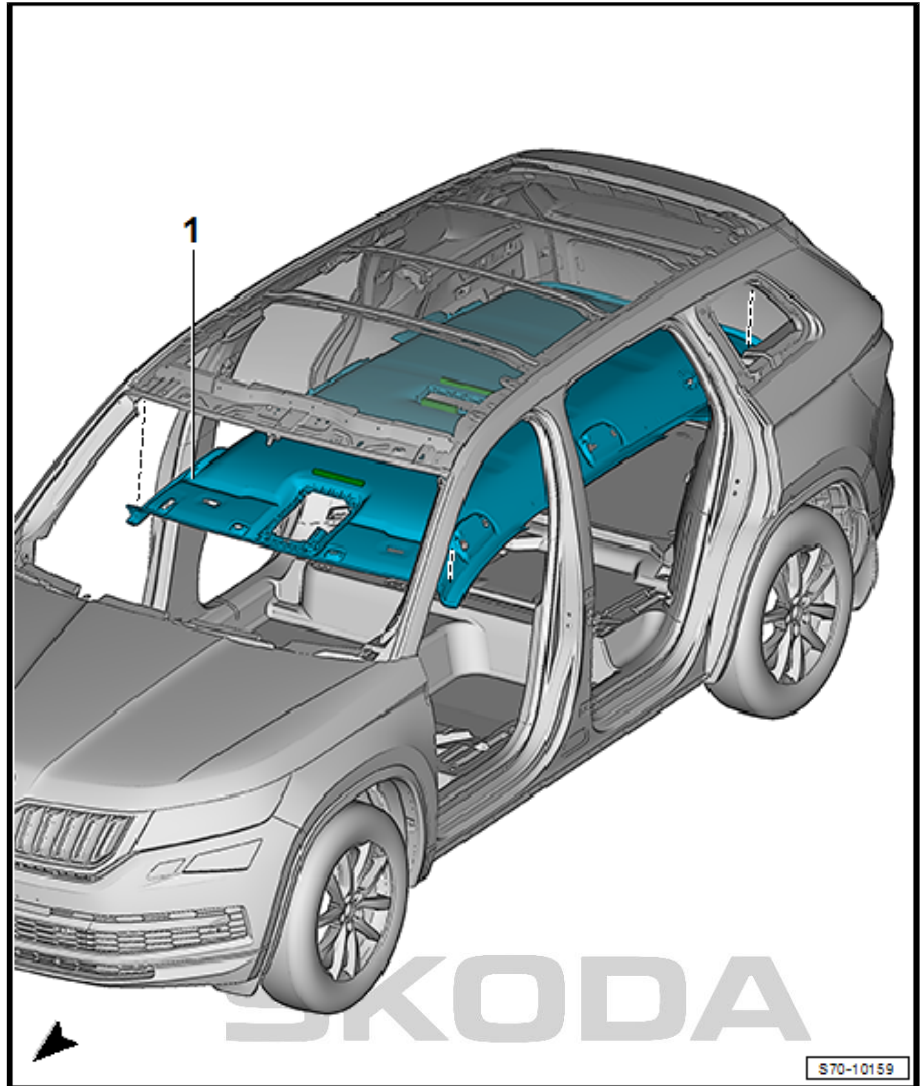


- Remove screws -1- (1,5 Nm).
- Remove tray -2- from the reinforced frame in the headliner -3-.



Protected by copyright. Copying for private use is permitted unless authorised by ŠKODA AUTO A.S. with respect to the correctness of information.

limited liability



- Remove screw of the roof attachments for protective nets.
- Unclip two clips in rear moulded headliner.
- Loosen the moulded headliner out of the door seals.
- Unclip the moulded headliner from the strip of the sliding sunroof (depending on vehicle equipment).
- Carefully lower the moulded headliner with the assistance of a 2nd mechanic (risk of fracture).
- Remove the moulded headliner through the tailgate opening.

Installing



Note

Before installation, check the clip connections for damage and replace if necessary.

Protected by copyright. Copying for private or commercial purposes, in part or in whole, is not permitted unless authorised by ŠKODA AUTO A. S. ŠKODA AUTO A. S. does not guarantee or accept any liability with respect to the correctness of information in this document. Copyright by ŠKODA AUTO A. S. ©



72 – Seat frames

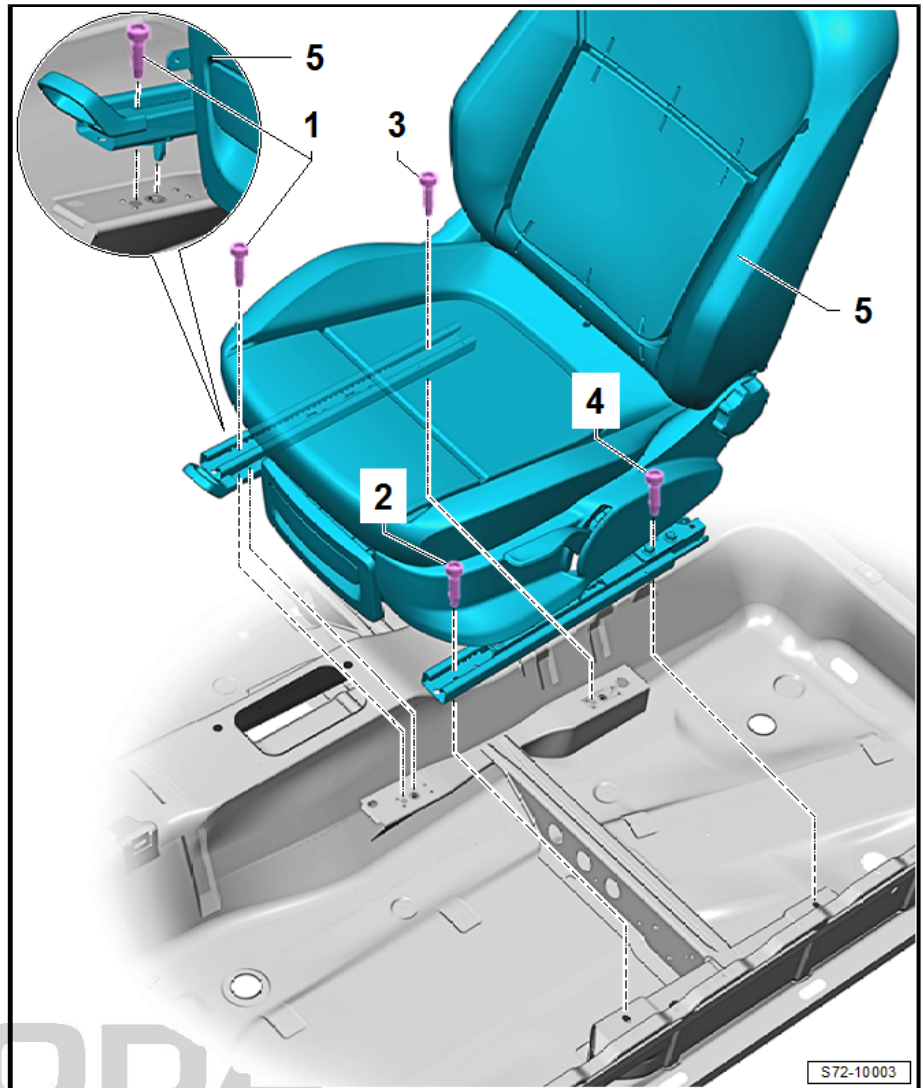
1 Front seats

- ⇒ [“1.1 Removing and installing front seat”, page 118](#)
- ⇒ [“1.2 Removing and installing the handle for the seat height adjuster”, page 120](#)
- ⇒ [“1.3 Removing and installing seat height adjustment”, page 122](#)
- ⇒ [“1.4 Removing and installing the seat trim panel on the tunnel side”, page 123](#)
- ⇒ [“1.5 Removing and installing lumbar support adjustment”, page 124](#)
- ⇒ [“1.6 Removing and installing front lumbar support frame”, page 124](#)
- ⇒ [“1.7 Removing and installing the front backrest”, page 126](#)
- ⇒ [“1.8 Removing and installing the headrest”, page 126](#)
- ⇒ [“1.9 Removing and installing the headrest guide”, page 126](#)

1.1 Removing and installing front seat

Removing

- Put the seat into the foremost position by means of the longitudinal adjustment.
- Unscrew the rear screws -3 and 4-.
- Put the seat into the rearmost position by means of the longitudinal adjustment.
- Unscrew the front screws -1 and 2-.
- Disconnect all plug connections (depending upon vehicle equipment).
- Remove seat -5- from the vehicle.



Caution

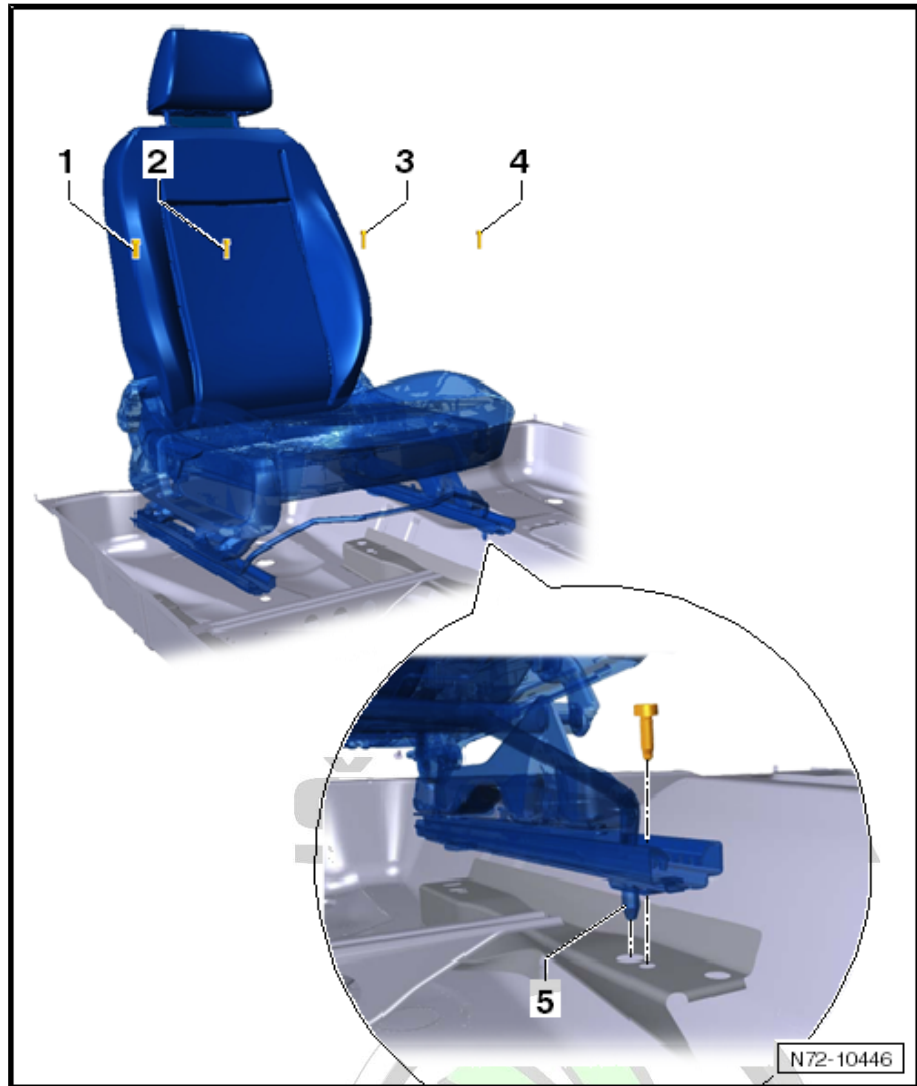
If the seat is lifted out of the vehicle or transported, it must not be touched at the component parts. These include the belt buckle, the lever for the longitudinal seat adjustment, the seat height adjustment lever and the seat trim panels. This is necessary to avoid damage.

Installing

- Mount all connectors (depending upon vehicle equipment).
- Insert the seat into the corresponding hole in the floor via a centering pin - 5 - on the tunnel side.
- Put the seat into the rearmost position by means of the longitudinal adjustment.
- Tighten the front screw -4- on the tunnel side (40 Nm).
- Tighten the front screw -2- on the rail side (40 Nm).
- Put the seat into the foremost position by means of the longitudinal adjustment.
- Tighten the rear screw -3- on the tunnel side (40 Nm).



- Tighten the rear screw -1- on the rail side (40 Nm).



WARNING

If a thread in the support panel of the seat crossmember is damaged during the installation, it is not permitted to rework the damaged thread! In this case, the support panel of the seat crossmember must be replaced.

1.2 Removing and installing the handle for the seat height adjuster

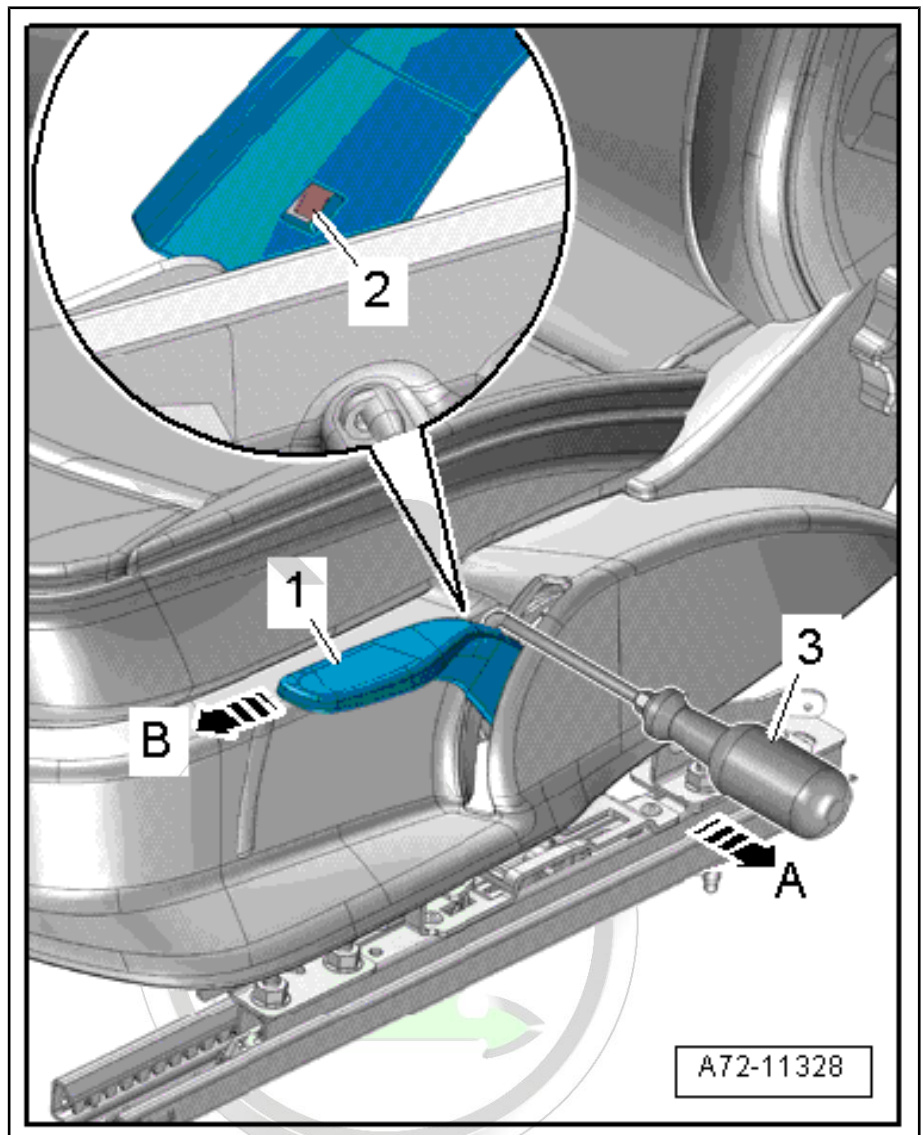
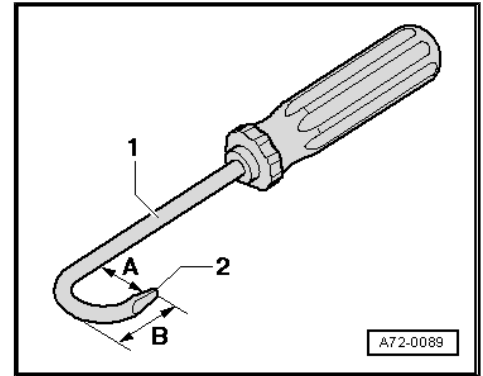
Required tools and auxiliary tools

- Bend a 3.5 mm wide cross-head screwdriver -1- as follows:
- A = 20 mm

Protected by copyright. Copying for private or commercial purposes, in part or in whole, is not permitted unless authorised by ŠKODA AUTO A. S. ŠKODA AUTO A. S. does not guarantee or accept any liability with respect to the correctness of information in this document. Copyright by ŠKODA AUTO A. S. ©

– B = max. 15 mm

Removing



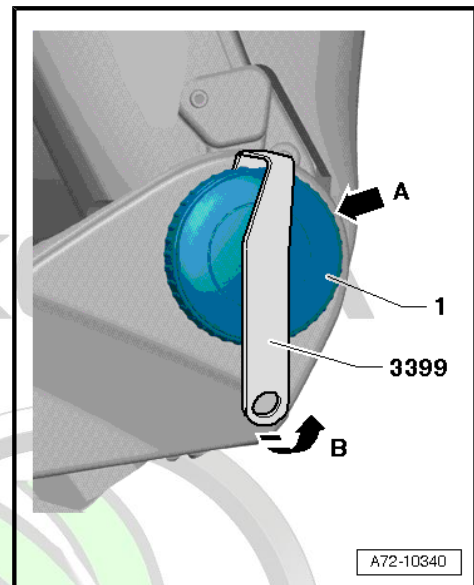
- Bring the seat to its highest position and then lower it by one stroke.
- Pull up and hold the handle as high as possible.
- Pull handle -1- away from the seat.
- Slide auxiliary tool -3- into the support.



- Unlock catch peg -2- and pull the handle in direction of arrow -B-.
- Remove handle from the height adjuster.

Installing

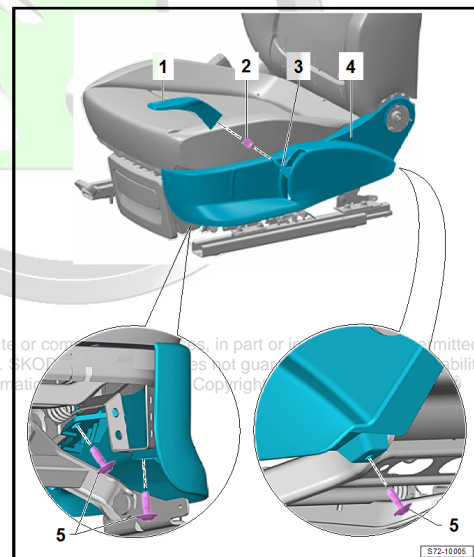
- Mount handle for height adjuster onto the mechanism. The locking mechanism must audibly lock the handle in place.
- Removing seat
⇒ ["1.1 Removing and installing front seat", page 118](#) .
- Remove handwheel for manual backrest adjustment.
- Remove screws -5- (2 Nm).



- Remove upholstery from seat.

Installing

- Installation is carried out in the reverse order.



Protected by copyright. Copying for private or commercial purposes, in part or in full, is not permitted unless authorised by ŠKODA AUTO A. S. ŠKODA, ŠKODA logo and ŠKODA names are not guaranteed trademarks with respect to the correctness of information. Copyright © ŠKODA AUTO A. S.

1.3 Removing and installing seat height adjustment

Removing

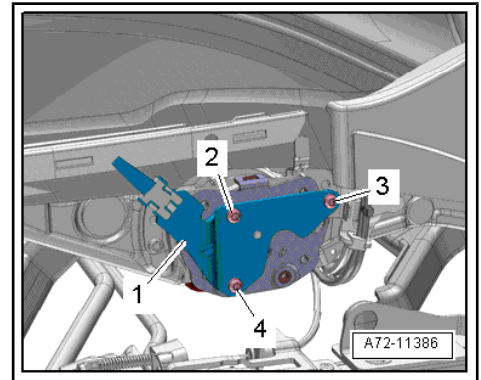
- Remove front seat
⇒ ["1.1 Removing and installing front seat", page 118](#) .
- Remove the seat trim panel on the rail side (seat with height adjustment)
⇒ ["1.2 Removing and installing the handle for the seat height adjuster", page 120](#) .

- Unscrew the screws -2, 3 and 4- (4.5 Nm) and remove the operating lever -1-.

Installing

- Installation is carried out in the reverse order.

SKODA



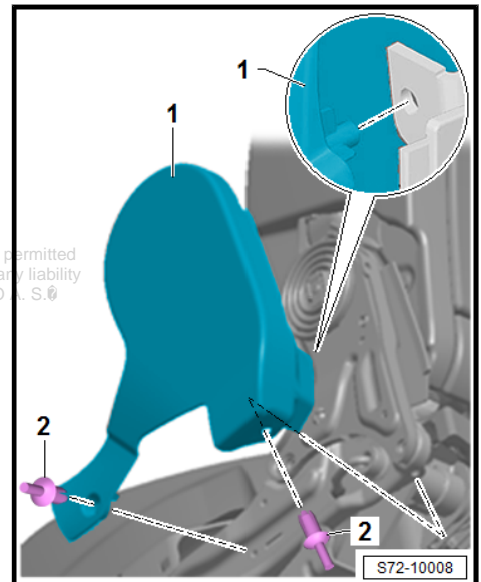
1.4 Removing and installing the seat trim panel on the tunnel side

- Remove front seat
⇒ ["1.1 Removing and installing front seat", page 118](#) .
- Removing body-bound rivet -2-.
- Remove the side trim panel -1- from the seat.

Installing

- Installation is carried out in the reverse order.

Protected by copyright. Copying for private or commercial purposes, in part or in whole, is not permitted unless authorised by ŠKODA AUTO A. S. ŠKODA AUTO A. S. does not guarantee or accept any liability with respect to the correctness of information in this document. Copyright by ŠKODA AUTO A. S. ©





1.5 Removing and installing lumbar support adjustment

Removing

- Unclip the lever for adjusting the lumbar support - 1 - from the serration on the shaft - 2 -.

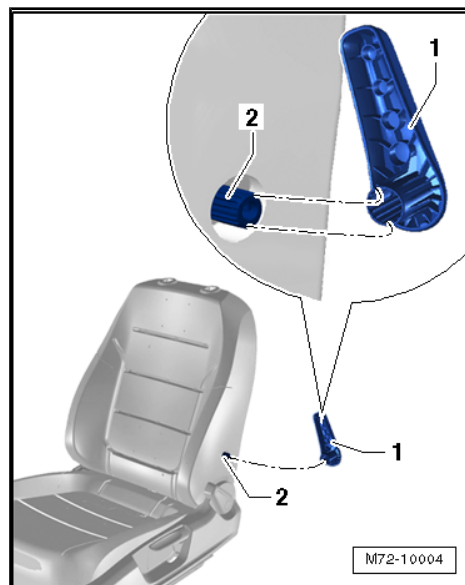
Installing

- Slide the lever for adjusting the lumbar support onto the toothed shaft, and clip in.



Note

Make sure that the serration on the shaft is flush with the serration at the shaft for adjusting the lumbar support.



1.6 Removing and installing front lumbar support frame

⇒ [“1.6.1 Mechanical lumbar support”, page 124](#) .

⇒ [“1.6.2 Electric lumbar support”, page 125](#) .

1.6.1 Mechanical lumbar support

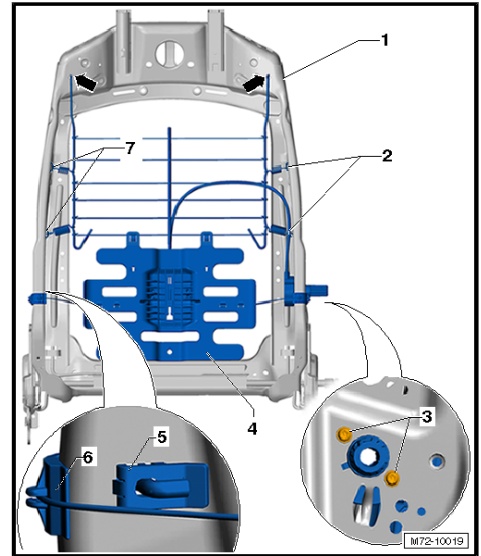
Removing

- Removing seat
⇒ [“1.1 Removing and installing front seat”, page 118](#) .
- Removing backrest
⇒ [“1.7 Removing and installing the front backrest”, page 126](#) .
- Remove cover and foam padding on the rest
⇒ [“1.2 Removing and installing cover and backrest upholstery”, page 140](#) .
- Remove the screws - 3 - (2 Nm) and undo the adjustment of the lumbar support from the backrest frame - 1 -.
- Unhook the fastening - 6 and 5 - on both sides of the backrest frame - 1 -.
- Unhook the side springs - 2 and 7 - from the backrest frame - 1 -.
- Unhook the lumbar support frame - 4 - from the top mounts - arrows -.

- Remove lumbar support frame - 4 - from the backrest frame.

Installing

- Installation is carried out in the reverse order.



1.6.2 Electric lumbar support

1 - Not a spare part

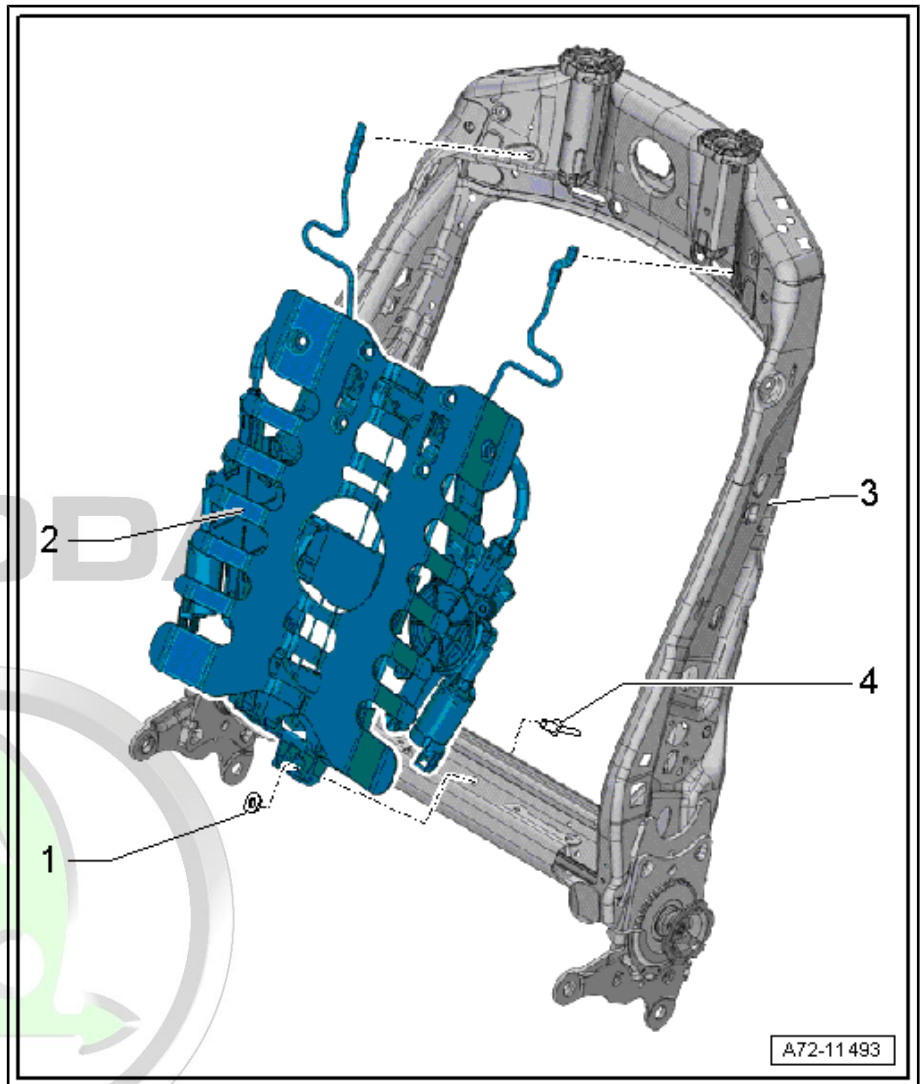
- ❑ The base is cast in the lumbar support.

2 - Lumbar support

- ❑ Driver side with driver seat lumbar support longitudinal adjustment motor - V125- / driver seat lumbar support height adjustment motor - V129- .
- ❑ Front passenger side with front passenger seat lumbar support longitudinal adjustment motor - V126- / front passenger seat lumbar support height adjustment motor - V130- .
- ❑ Removing and installing ⇒ ["1.6 Removing and installing front lumbar support frame", page 124](#) .

3 - Backrest rack

4 - Rivet



1.7 Removing and installing the front backrest

Removing

- Remove front seat
 ⇒ [“1.1 Removing and installing front seat”, page 118](#) .
- Remove side trim panels
 ⇒ [“1.2 Removing and installing the handle for the seat height adjuster”, page 120](#) .
- Disconnect connectors of the electrical wiring looms from the backrest.
- Loosen cable strap and clips.
- Remove screws -2- (34 Nm).
- Fold forward the backrest and remove it from the seat.

Installing

- Installation is carried out in the reverse order.



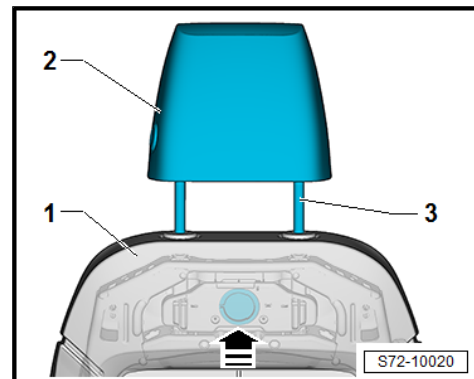
1.8 Removing and installing the headrest

Removing

- Press the release button -arrow- on the back of the backrest under the cover.
- Remove the head restraint from the runners.

Note

- ◆ To provide a better overview, the headrest guides are partly shown in their removed condition.
- ◆ Be careful not to damage the backrest upholstery when removing.



Installing

- Installation is carried out in the reverse order.

1.9 Removing and installing the headrest guide

Removing

- Remove headrest
 ⇒ [“1.8 Removing and installing the headrest”, page 126](#) .



- Remove the cover and the upholstery of the front seat backrest
⇒ ["1 Covers and upholstery of the front seats", page 138](#) .
- Remove the screws for the headrest guides and take them out of the backrest.

Installing

- Installation is carried out in the reverse order.

ŠKODA



Protected by copyright. Copying for private or commercial purposes, in part or in whole, is not permitted unless authorised by ŠKODA AUTO A. S. ŠKODA AUTO A. S. does not guarantee or accept any liability with respect to the correctness of information in this document. Copyright by ŠKODA AUTO A. S. ©



2 Rear seats

⇒ [“2.1 Summary of components - Seat bench / individual seats”, page 128](#)

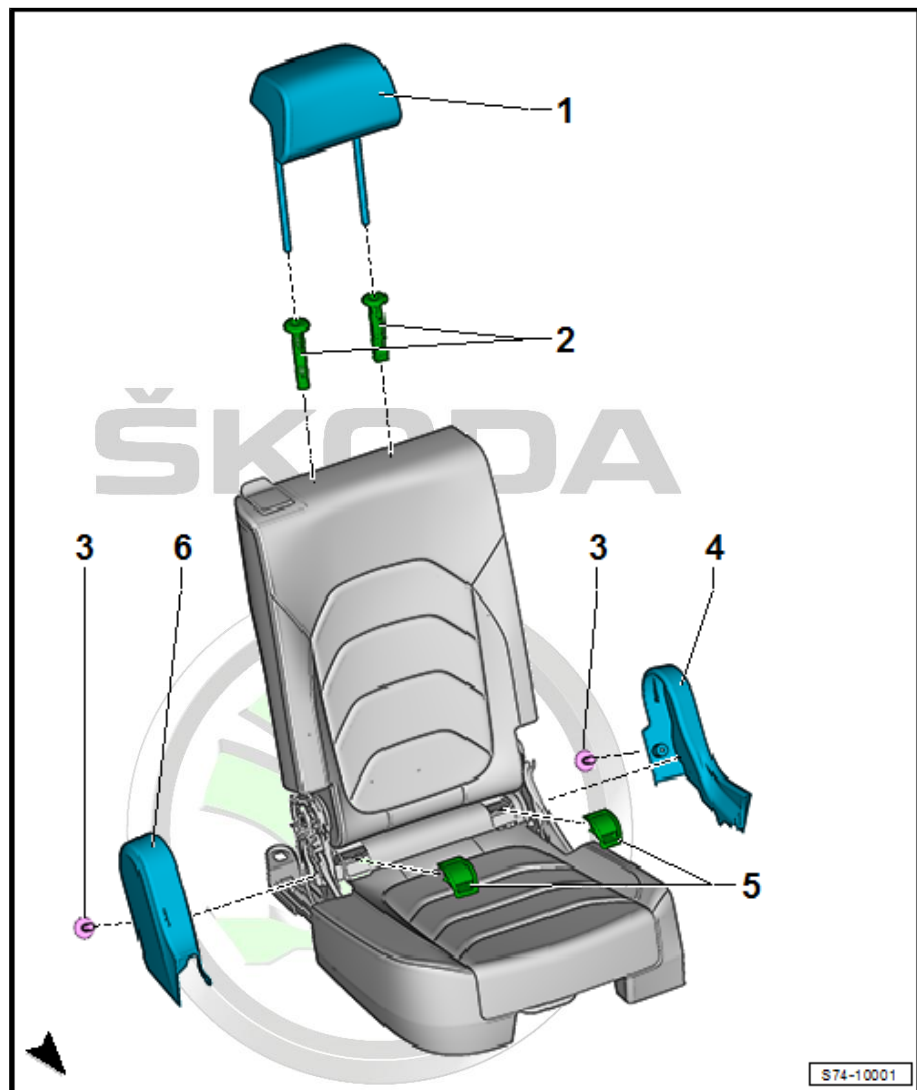
⇒ [“2.2 Removing and installing the rear seat bench / individual seats”, page 130](#)

⇒ [“2.3 Removing and installing backrests”, page 135](#)

2.1 Summary of components - Seat bench / individual seats

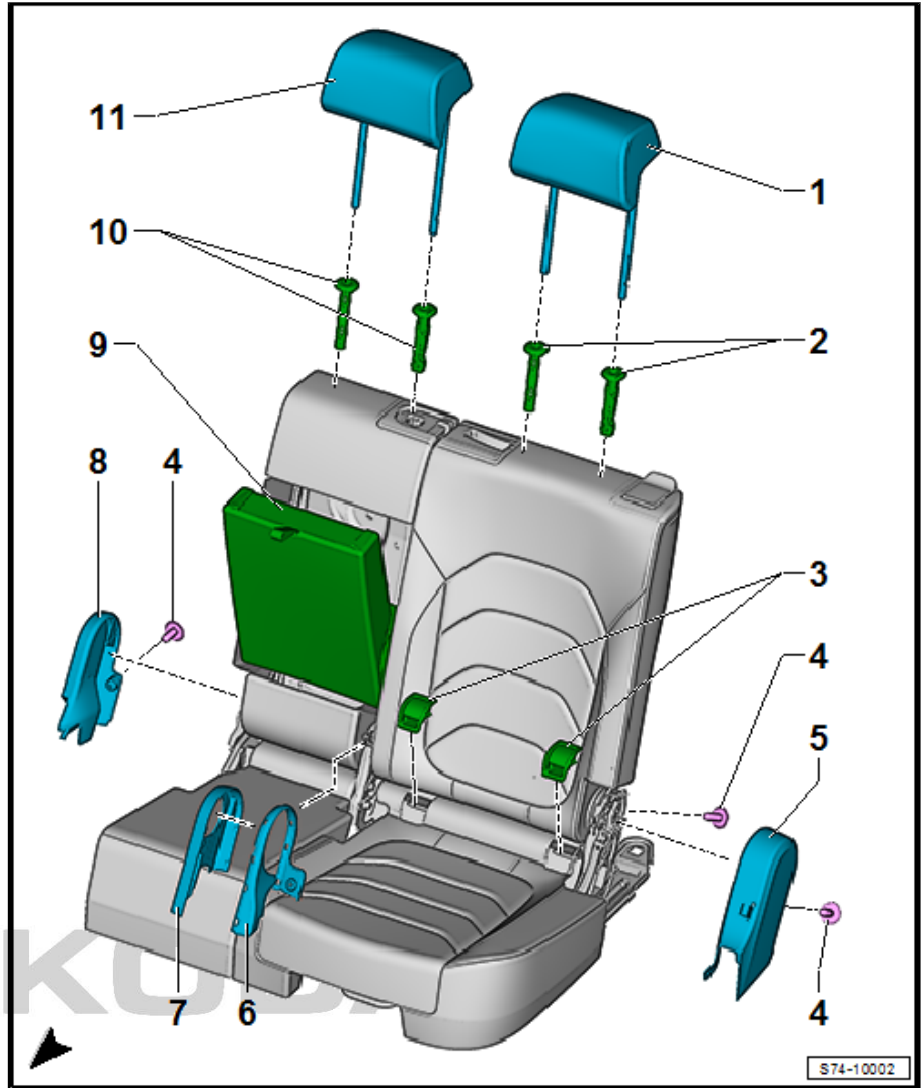
Summary of components - 2nd seat row

- 1 - Headrest
- 2 - Guides
- 3 - Body-bound rivet
- 4 - Cover
- 5 - Isofix
- 6 - Cover



Protected by copyright. Copying for private or commercial purposes, in part or in whole, is not permitted unless authorised by ŠKODA AUTO A. S. ŠKODA AUTO A. S. does not guarantee or accept any liability with respect to the correctness of information in this document. Copyright by ŠKODA AUTO A. S.®

- 1 - Headrest
- 2 - Guide
- 3 - Isofix
- 4 - Body-bound rivet
- 5 - Cover
- 6 - Cover
- 7 - Cover
- 8 - Cover
- 9 - Armrest
- 10 - Guide
- 11 - Headrest



Protected by copyright. Copying for private or commercial purposes, in part or in whole, is not permitted unless authorised by ŠKODA AUTO A. S. ŠKODA AUTO A. S. does not guarantee or accept any liability with respect to the correctness of information in this document. Copyright by ŠKODA AUTO A. S. ©



2.2 Removing and installing the rear seat bench / individual seats

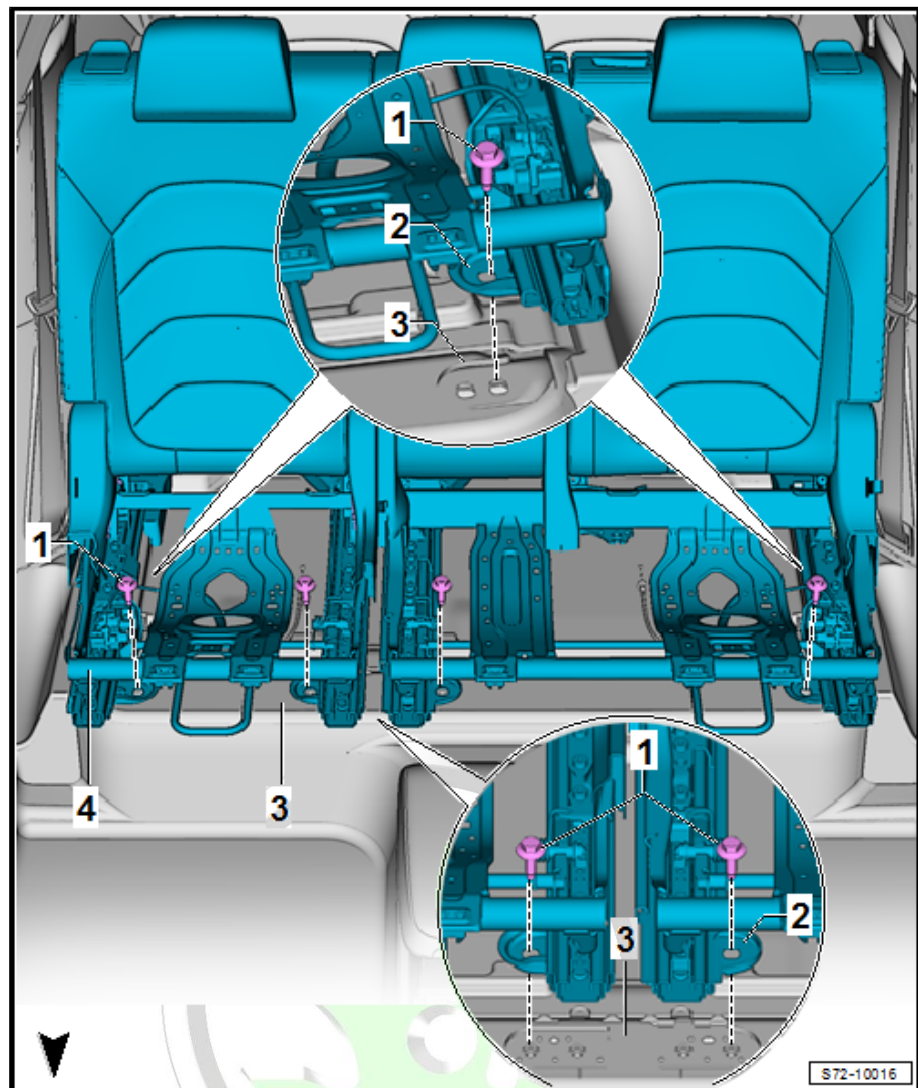
⇒ [“2.2.1 Removing and installing 2nd seat row”, page 130](#)

⇒ [“2.2.2 Removing and installing the armrest”, page 133](#)

⇒ [“2.2.3 3. Removing and installing seat row from/into the vehicle”, page 133](#)

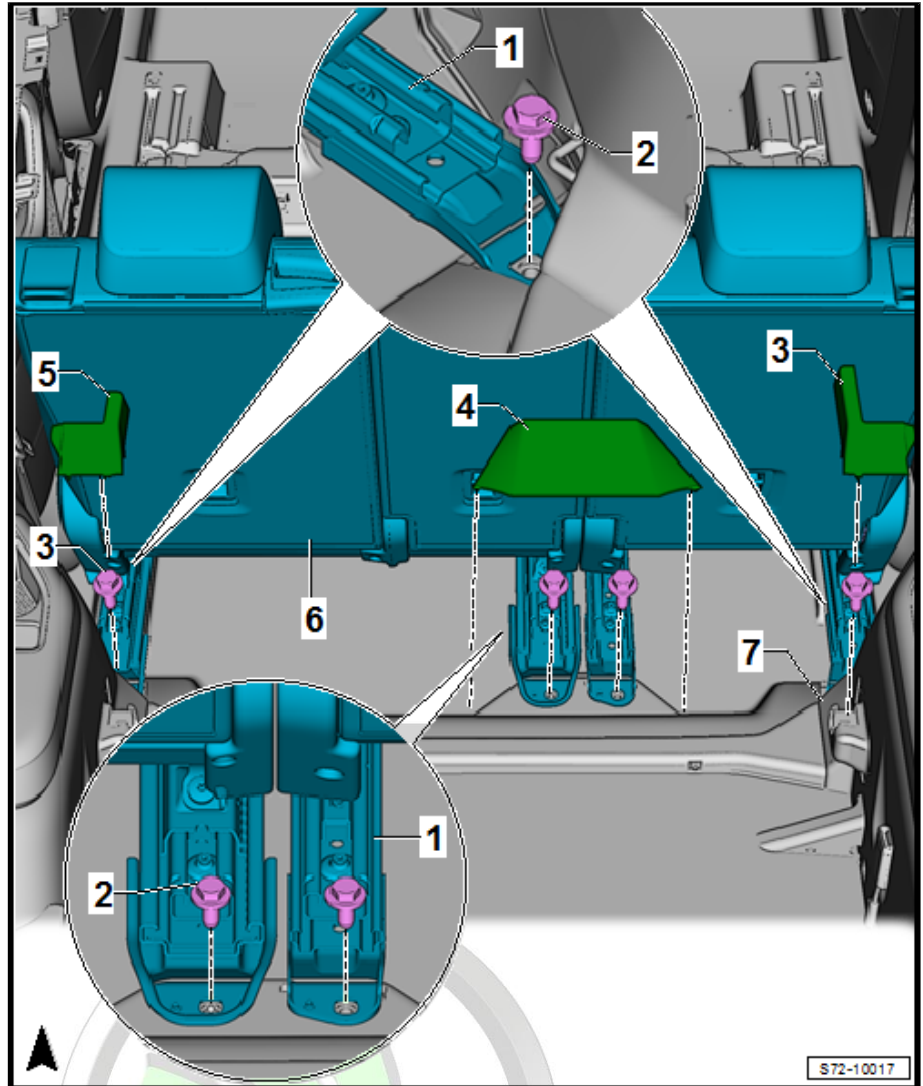
2.2.1 Removing and installing 2nd seat row

Removing



- Slide seat to the outer rear position.
- Remove screws -1- (40 Nm).

Protected by copyright. Copying for private or commercial purposes, in part or in whole, is not permitted unless authorised by ŠKODA AUTO A. S. ŠKODA AUTO A. S. does not guarantee or accept any liability with respect to the correctness of information in this document. Copyright by ŠKODA AUTO A. S. ©



- Slide seat to the outer front position.
- Unclip covers for screws -3, 4 and 5-.
- Remove screws -2- (65 Nm).
- For the outer tracks -1-, the screws are under the floor covering -7-.
- Disconnect plug for seat heating (depending upon vehicle equipment).

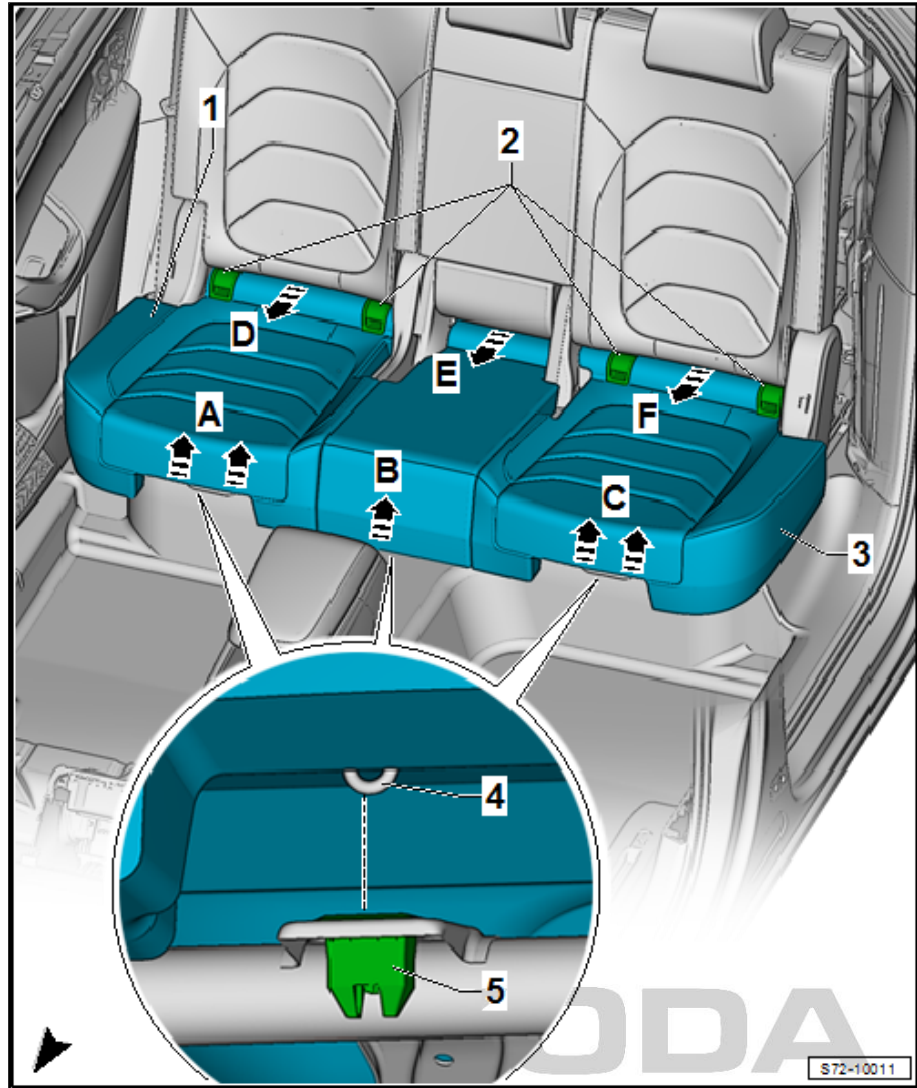
- Remove seat -6- from the vehicle.

Right. Copying for private or commercial purposes, in part or in whole, is not permitted unless authorised by ŠKODA AUTO A. S. ŠKODA AUTO A. S. does not guarantee or accept any liability with respect to the correctness of information in this document. Copyright by ŠKODA AUTO A. S. ©

Installing

- Installation is carried out in the reverse order.

Removing the seat bench



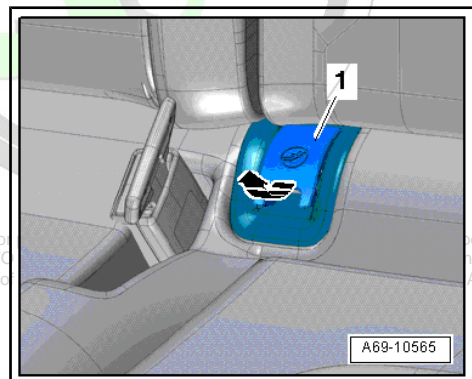
- Unclip caps for Isofix -2- => [page 132](#) .
- Unclip seat bench from supports -5- upwards in direction of arrow -A, B, C-.
- Slide the seat bench out from rear section in direction of arrow -D, E, F-.

Installing

- Installation is carried out in the reverse order.

Removing Isofix

- First undo the top part - 1 -.



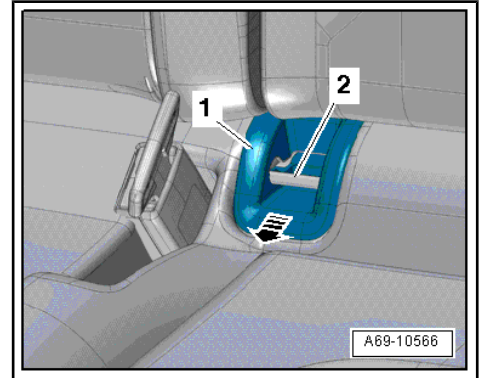
Protected by copyright. Copying for
 unless authorised by ŠKODA AUTO
 with respect to the correctness of

permitted
 liability
 S.Š

- Afterwards, release the bottom part - 1 - and remove from the lug - 2 -.

Installing

- Installation is carried out in the reverse order.

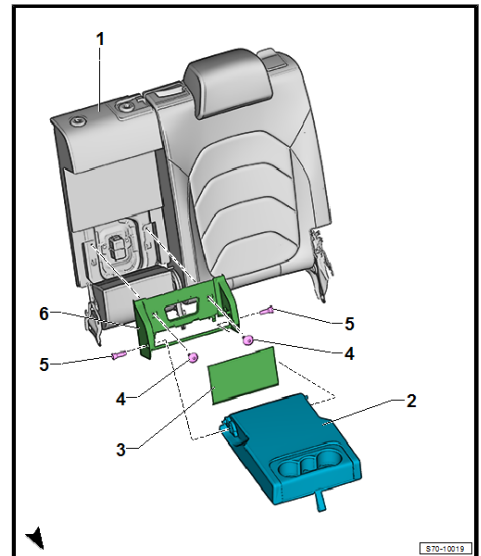


ŠKODA

2.2.2 Removing and installing the armrest

Removing

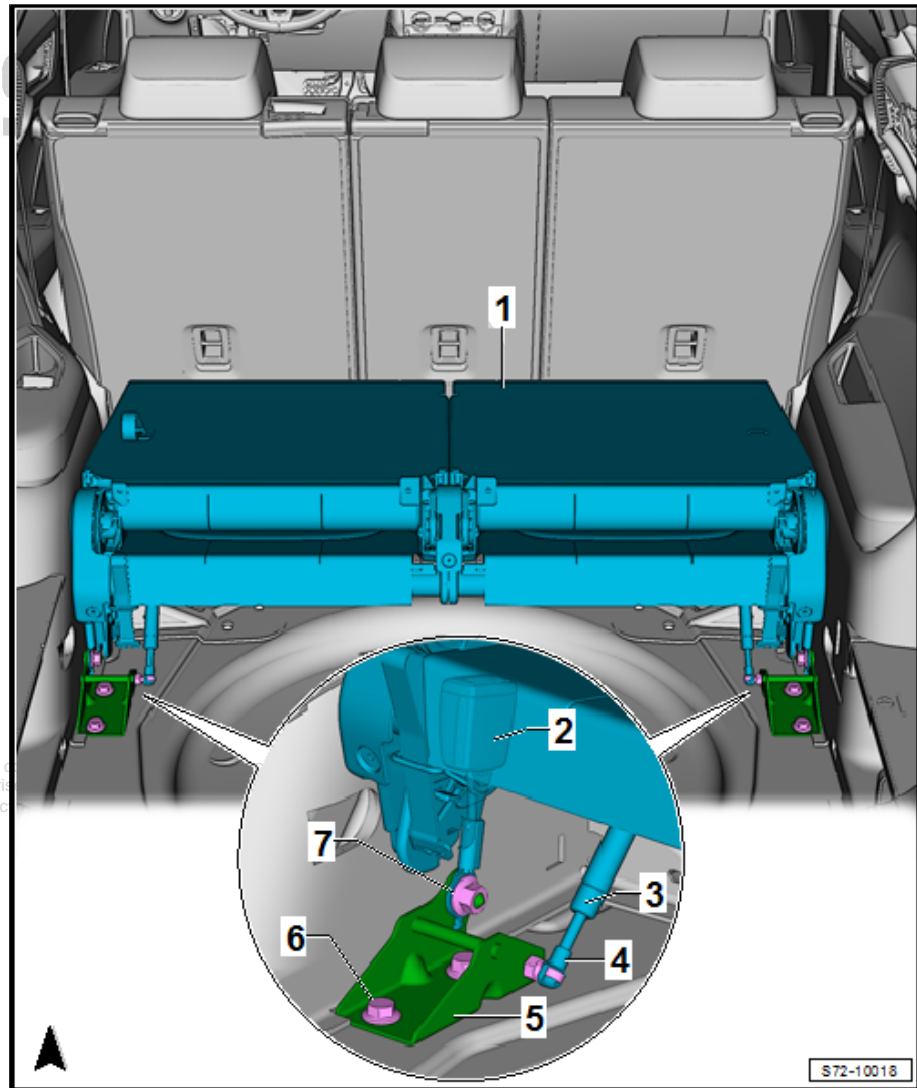
- Fold armrest -2- forward.
- Unscrew screws -5-.
- Unhook armrest from the stud and slide out of the bracket -6-.
- If necessary, remove the bracket, then unclip the cover -3-.
- Unscrew screws -4-.
- Remove bracket from seat -1-.



2.2.3 3. Removing and installing seat row from/into the vehicle

Removing

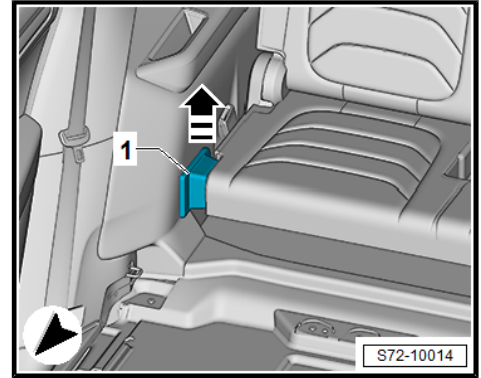
Protected by copyright. Copying for private or commercial purposes, in part or in whole, is not permitted unless authorised by ŠKODA AUTO A. S. ŠKODA AUTO A. S. does not guarantee or accept any liability with respect to the correctness of information in this document. Copyright by ŠKODA AUTO A. S.



Protected by copyright
 unless authorized
 with respect

- Release rear seat -1- → Owner's Manual and raise it to the top position.
- Search seat in this position.
- Release pressurized gas struts -3-.
- Procedure for releasing -4- is the same as for pressurized gas struts for the front flap and the luggage compartment → General body repairs, exterior; Rep. gr. 55 ; Front flap; Removing and installing pressurized gas struts .
- After disconnecting both pressurized gas struts, release the seat to start position.
- If the seat retainers -5- are removed, the tightening torque of the screws -6- is 50 Nm.

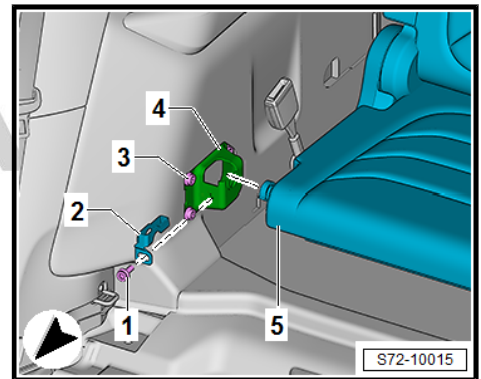
- Release cover for front seat anchor -1-.



- Remove screw -1- (20 Nm).
- Unhook the clamp -2- from the seat retainer -4-.
- Slide the seat bolt upwards out of the supports.
- Remove the seat -5- from the vehicle with the assistance of a second mechanic.

Installing

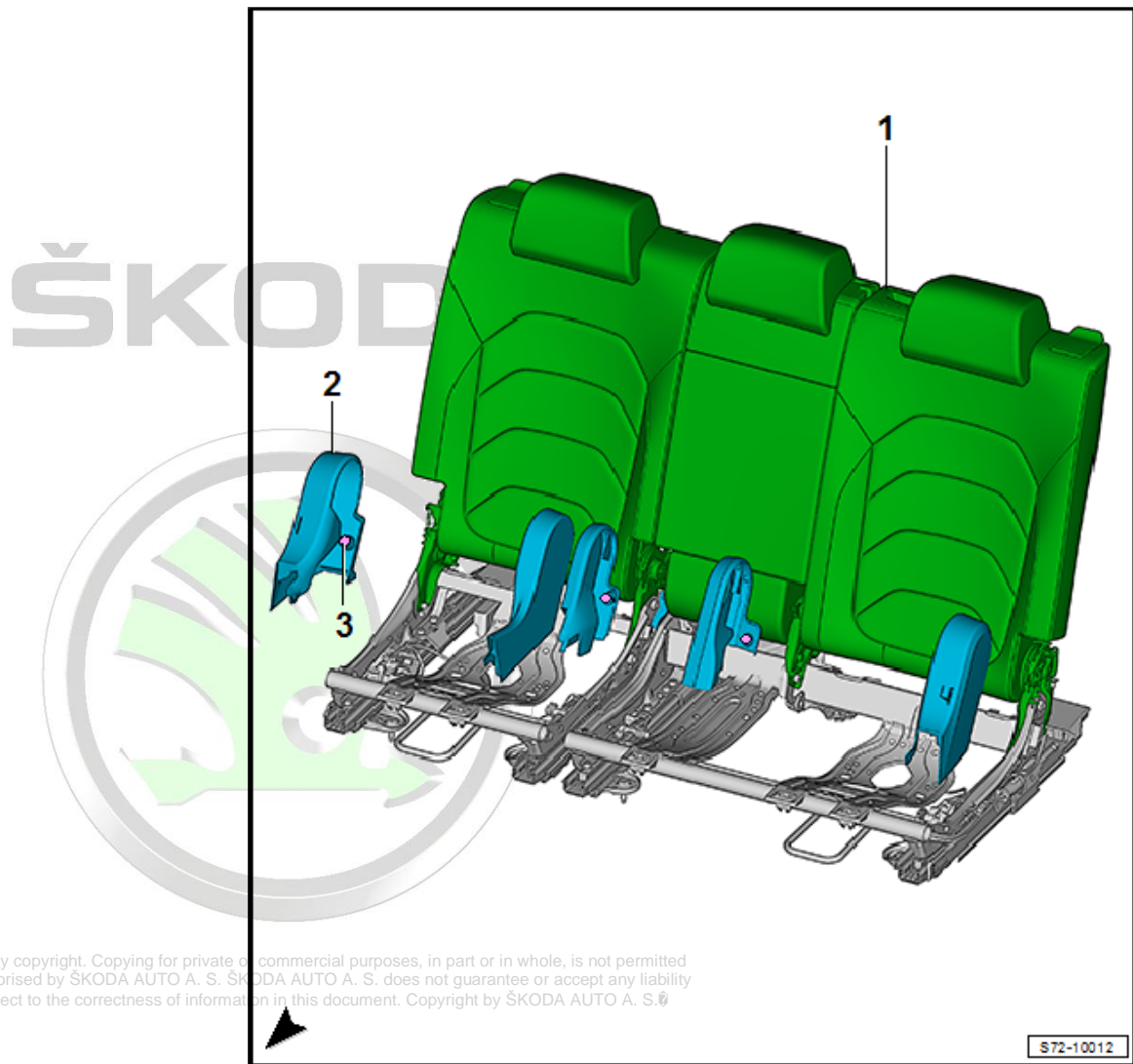
- Installation is carried out in the reverse order.
- If the seat retainers -4- are removed, the tightening torque of the screws is 20 Nm.



2.3 Removing and installing backrests

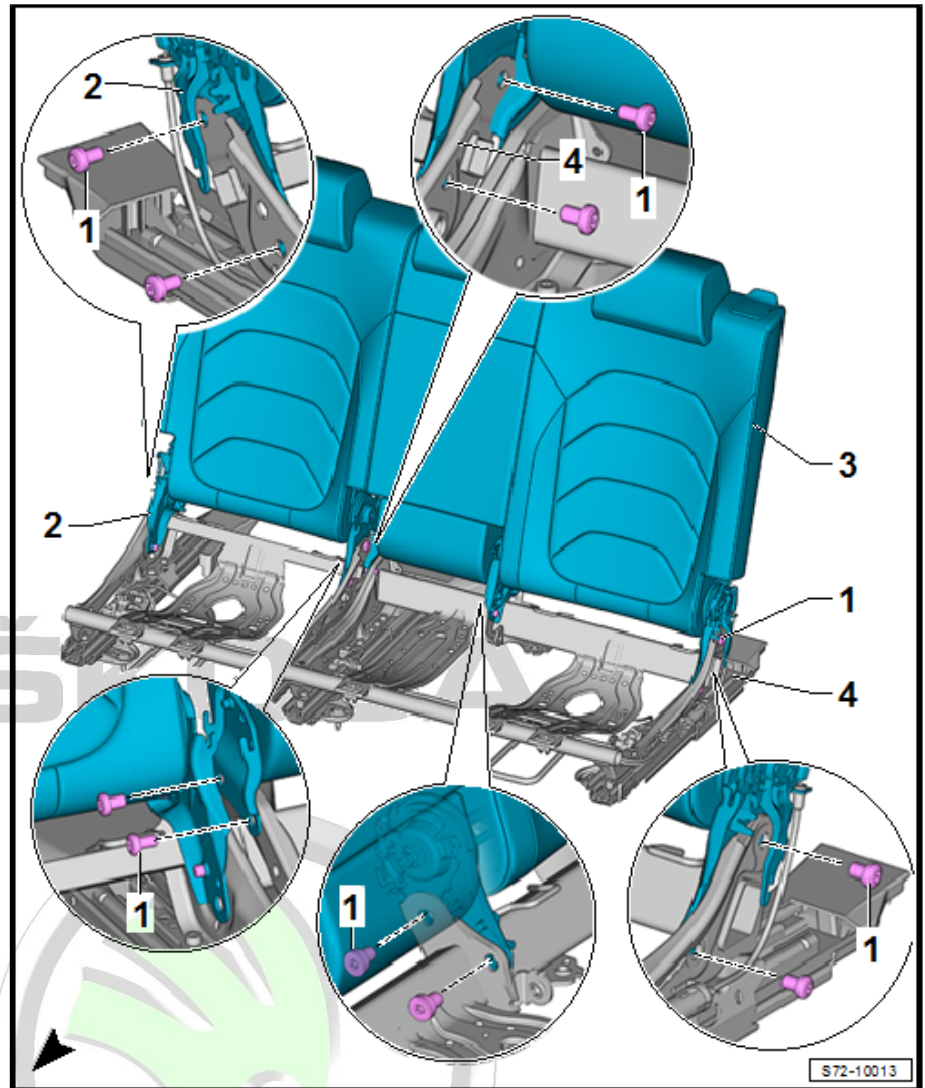
Removing

Protected by copyright. Copying for private or commercial purposes, in part or in whole, is not permitted unless authorised by ŠKODA AUTO A. S. ŠKODA AUTO A. S. does not guarantee or accept any liability with respect to the correctness of information in this document. Copyright by ŠKODA AUTO A. S. ©



Protected by copyright. Copying for private or commercial purposes, in part or in whole, is not permitted unless authorised by ŠKODA AUTO A. S. ŠKODA AUTO A. S. does not guarantee or accept any liability with respect to the correctness of information in this document. Copyright by ŠKODA AUTO A. S.®

- Remove seat (Pos. 1) from vehicle
 ⇒ ["2.2 Removing and installing the rear seat bench / individual seats", page 130](#) .
- Remove expanding rivets (Pos. 3).
- Remove seat trim panels (Pos. 2).



- Remove screws (Pos. 1) from the tilt-forward mechanism (Pos. 2).
- Disconnect plug connections for backrest heating (depending upon vehicle equipment).
- Disconnect plug connections for side airbag.
- Remove backrest (Pos. 3) from seat rack (Pos. 4).

Commercial purposes, in part or in whole, is not permitted unless authorised by ŠKODA AUTO A. S. ŠKODA AUTO A. S. does not guarantee or accept any liability with respect to the correctness of information in this document. Copyright by ŠKODA AUTO A. S. ©

Installing

- Installation is carried out in the reverse order.

74 – Seat - padding, covers

1 Covers and upholstery of the front seats

⇒ [“1.1 Removing and installing cover and seat upholstery”, page 138](#)

⇒ [“1.2 Removing and installing cover and backrest upholstery”, page 140](#)

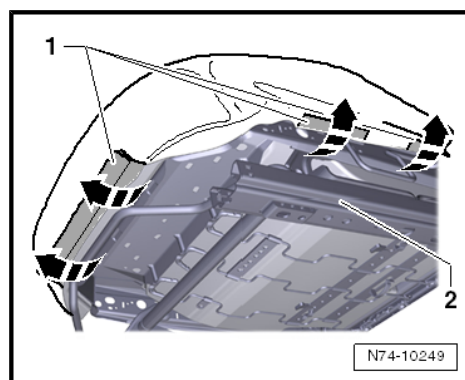
⇒ [“1.3 Summary of components - seat heating element”, page 144](#)

⇒ [“1.4 Summary of components - backrest heating element”, page 145](#)

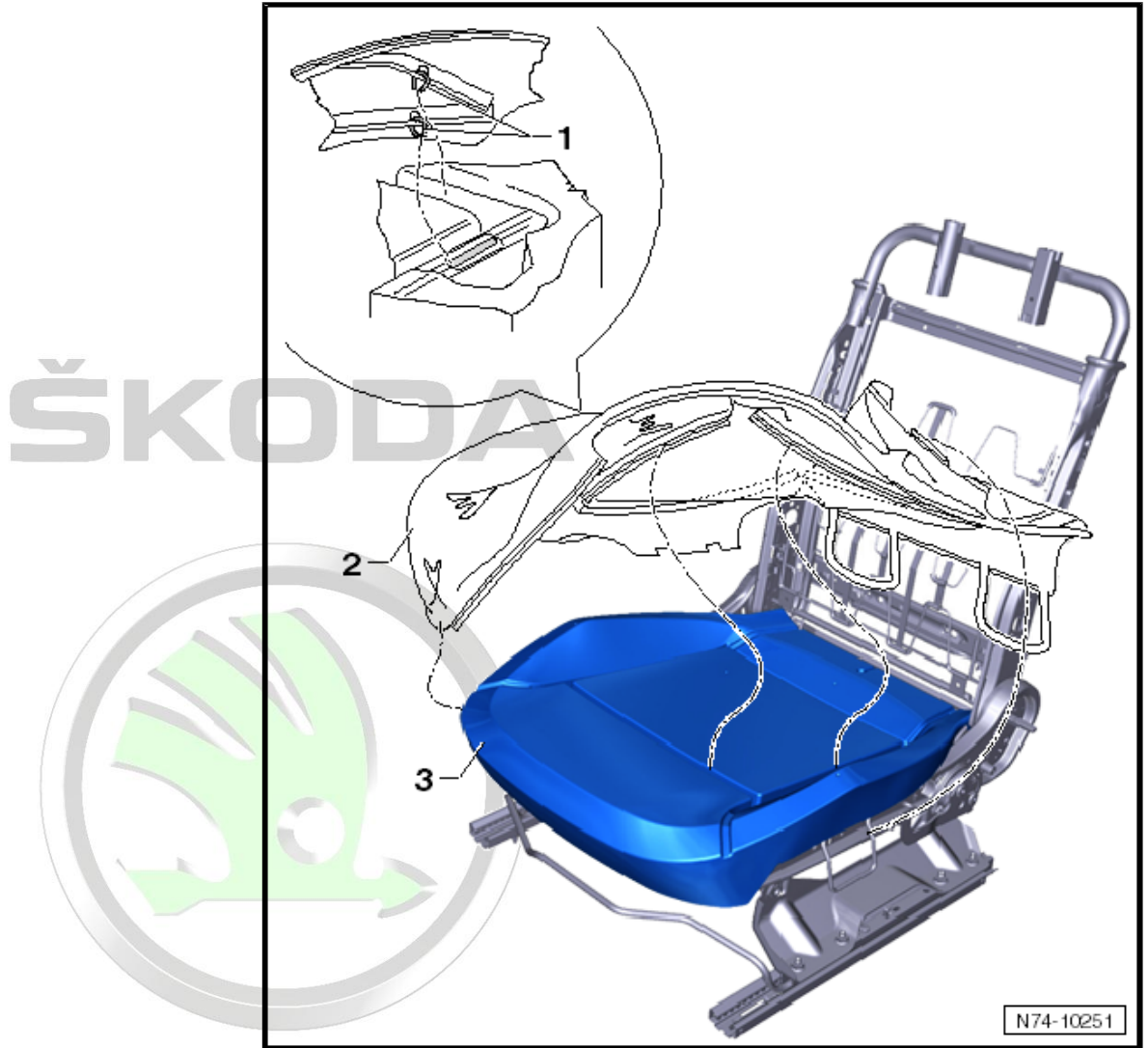
1.1 Removing and installing cover and seat upholstery

Removing

- Remove front seat
 ⇒ [“1.1 Removing and installing front seat”, page 118](#) .
- Remove the front belt buckle
 ⇒ [“1.8 Removing and installing the front seat belt buckle”, page 33](#) .
- Remove the seat trim panel on the tunnel side
 ⇒ [“1.4 Removing and installing the seat trim panel on the tunnel side”, page 123](#) .
- Remove the seat trim panel on the rail side:
- ◆ Seat without height adjustment
 ⇒ [“1.2 Removing and installing the handle for the seat height adjuster”, page 120](#) .
- ◆ Seat with height adjustment
 ⇒ [“1.2 Removing and installing the handle for the seat height adjuster”, page 120](#) .
- Unhook the clamping section -1- from the seat rack -2-.



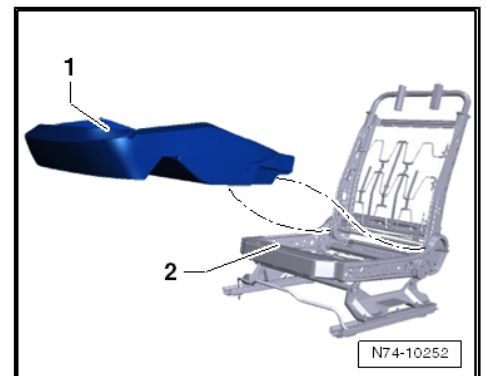
- Fold up the cover -2- all around and remove the upholstery retaining clips -1-.
- Remove the cover - 2 - from the upholstery - 3 -.



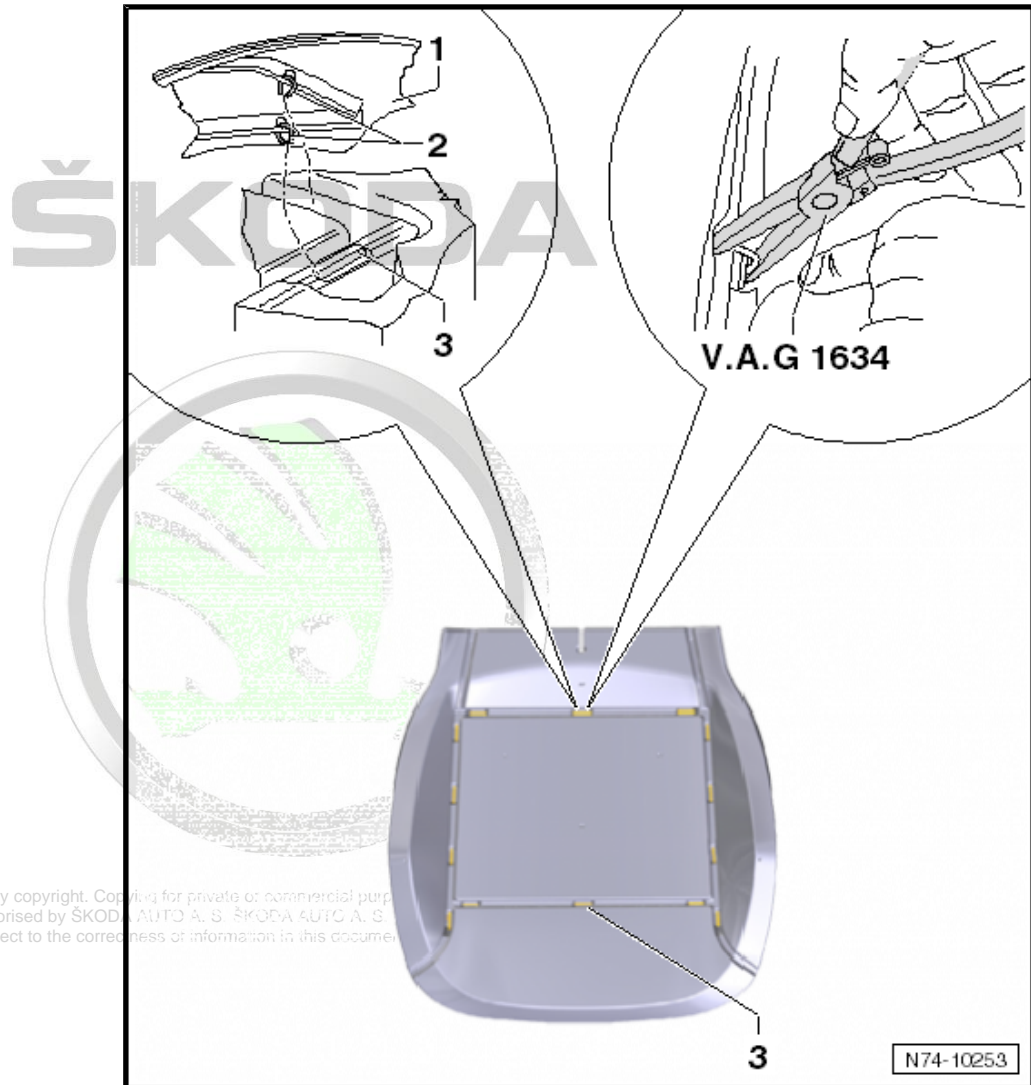
Protected by copyright. Copying for private or commercial purposes, in part or in whole, is not permitted unless authorised by ŠKODA AUTO A. S. ŠKODA AUTO A. S. does not guarantee or accept any liability with respect to the correctness of information in this document. Copyright by ŠKODA AUTO A. S. ©

- Remove the front seat cushion -1- from the seat rack -2-.

Installing



- Attach the cover -1- with new upholstery retaining clips -2-, at the indicated points -3-, using the upholstery clip pliers - V.A.G 1634- .



Protected by copyright. Copying for private or commercial purposes without authorisation by ŠKODA AUTO A. S. / ŠKODA AUTO A. S. with respect to the correctness of information in this document.

Further installation occurs in reverse order.

1.2 Removing and installing cover and backrest upholstery

Removing

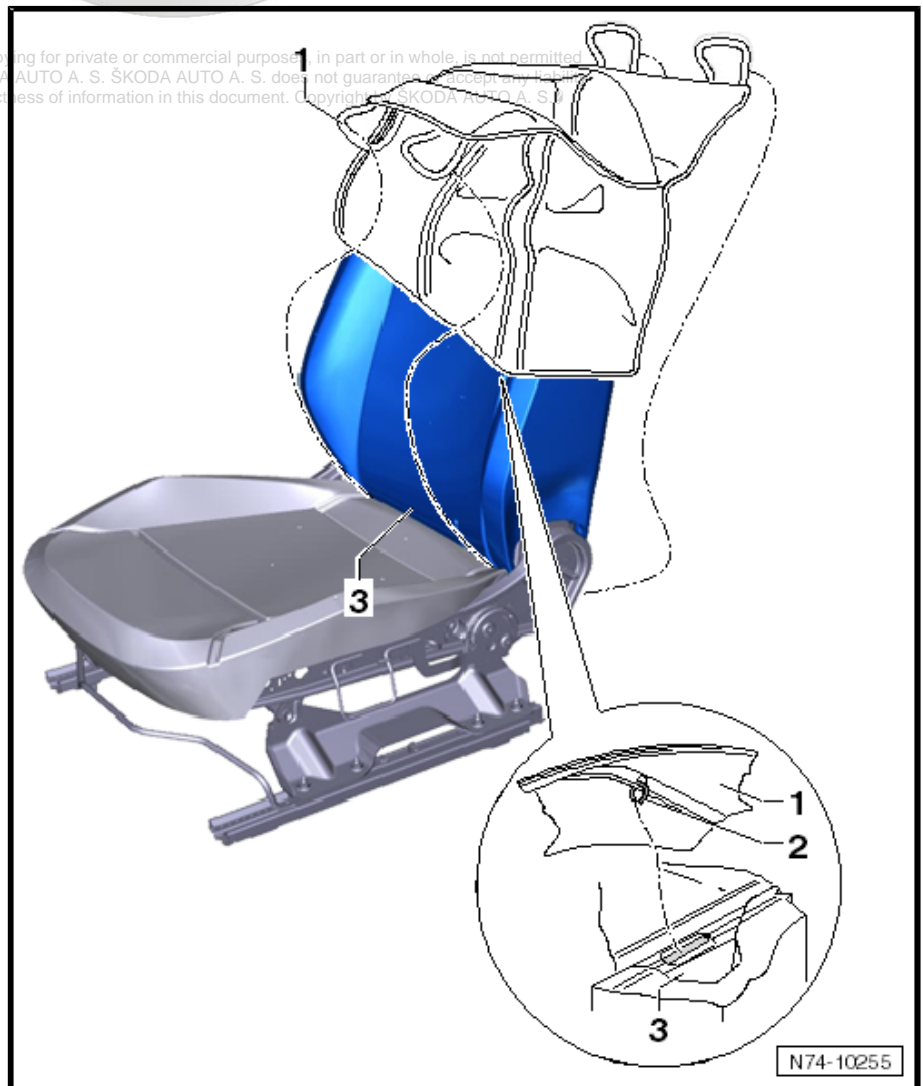


Note

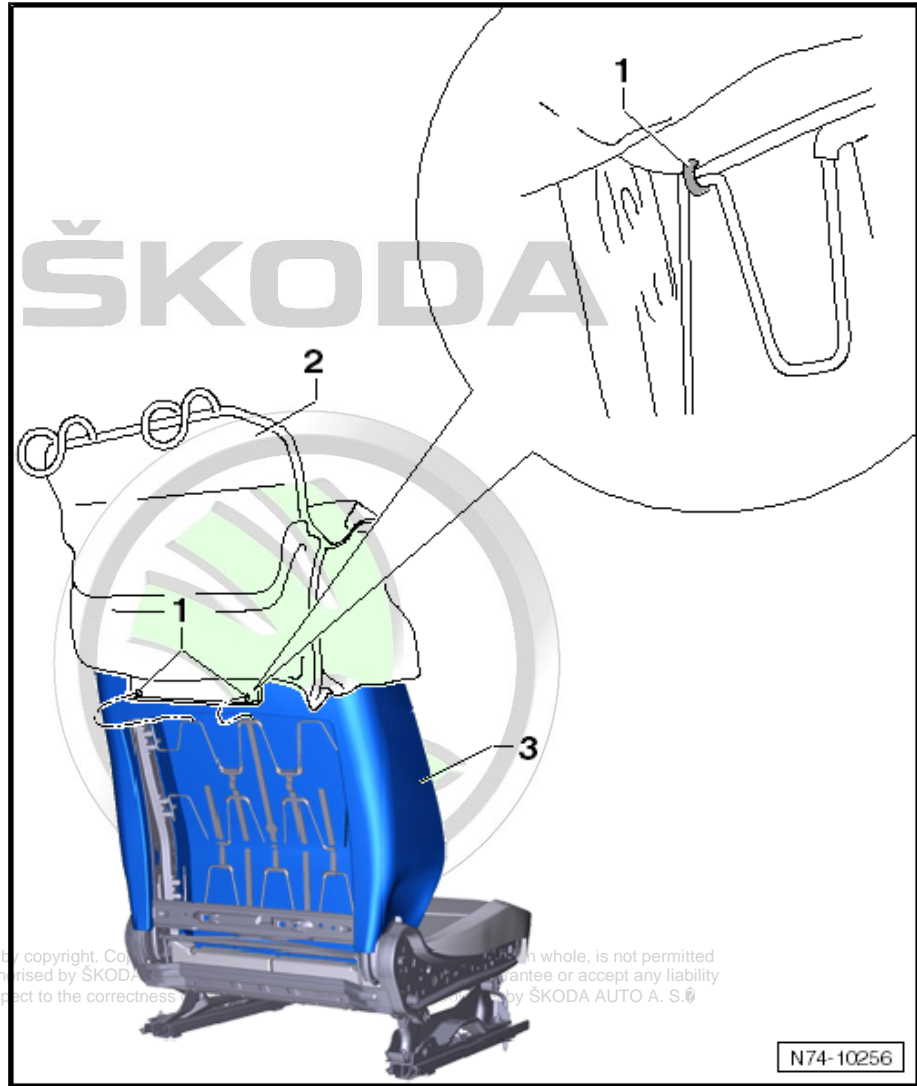
- ◆ *When disassembling, ensure that the backrest upholstery is not damaged.*
- ◆ *The removal and the installation of the components is described for the left seat. The same applies for the removal and the installation of the components for the right seat.*
- Remove front seat
 ⇒ [“1.1 Removing and installing front seat”, page 118](#) .
- Remove seat backrest
 ⇒ [“1.7 Removing and installing the front backrest”, page 126](#) .
- Pull out the headrest
 ⇒ [“1.8 Removing and installing the headrest”, page 126](#) .

- Remove the front belt buckle
⇒ ["1.8 Removing and installing the front seat belt buckle", page 33](#) .
- Remove the seat trim panel on the tunnel side
⇒ ["1.4 Removing and installing the seat trim panel on the tunnel side", page 123](#) .
- Remove the seat trim panel on the rail side:
- ◆ Seat without height adjustment
⇒ ["1.2 Removing and installing the handle for the seat height adjuster", page 120](#) .
- ◆ Seat with height adjustment
⇒ ["1.2 Removing and installing the handle for the seat height adjuster", page 120](#) .
- Unhook the clamping section in the bottom area of the cover.
- Roll up the cover -1- at the upholstery -3- and while doing so remove all the upholstery retaining clips -2-.

Protected by copyright. Copying for private or commercial purposes in part or in whole, is not permitted unless authorised by ŠKODA AUTO A. S. ŠKODA AUTO A. S. does not guarantee the accuracy of the information with respect to the correctness of information in this document. Copyright © ŠKODA AUTO A. S. D.



- Roll up the cover on the backside -2- at the upholstery -3- and while doing so remove both upholstery retaining clips -1-.
- Roll up the cover -2- further and remove via the two headrest guides.



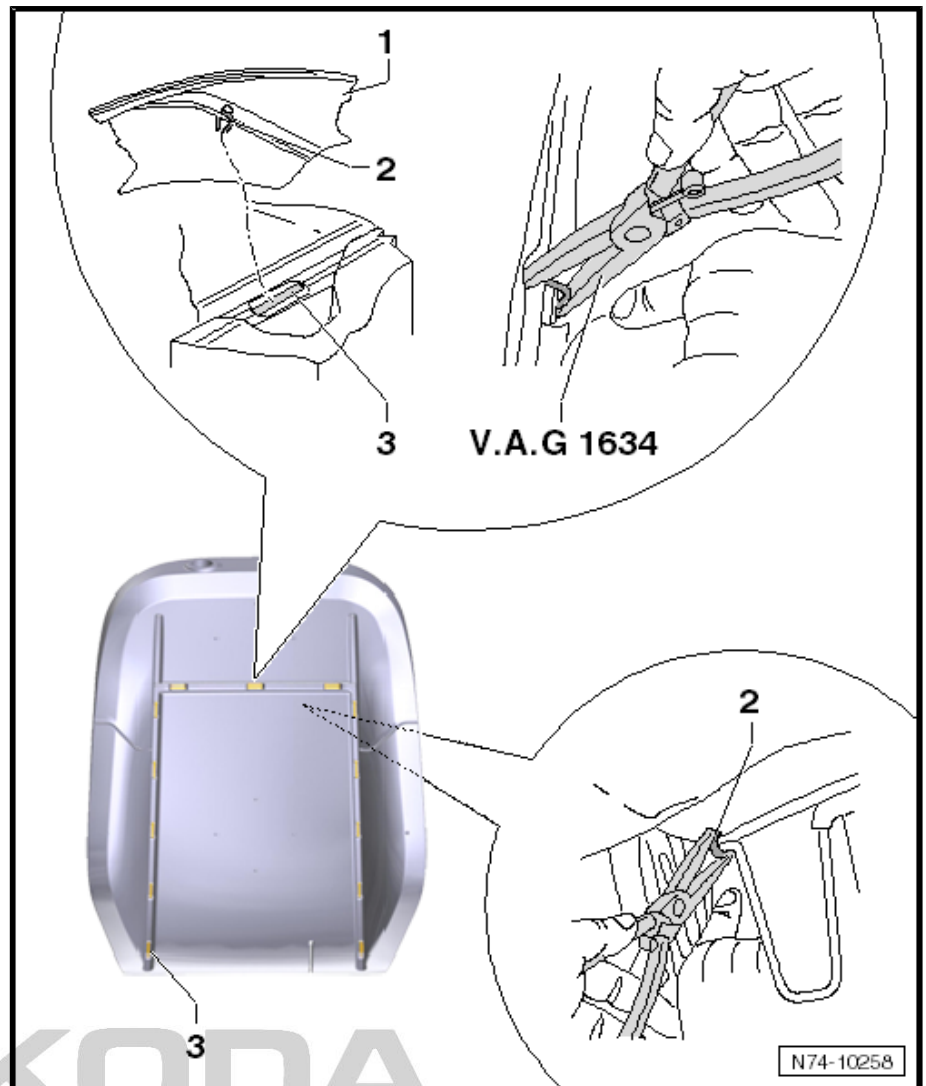
- Pull the upholstery -1- over both headrest guides and remove it from the backrest frame -2-.

Installing



- Slide the upholstery onto the backrest frame.

- Attach the cover -1- with new upholstery retaining clips -2-, at the indicated points -3-, using the upholstery clip pliers - V.A.G 1634- .



Further installation occurs in reverse order.





1.3 Summary of components - seat heating element

Removing

- Separate seat cover and seat upholstery
 ⇒ [“1.1 Removing and installing cover and seat upholstery”, page 138](#) .
- Disconnect electric cable -3- at the old heating element -2-.



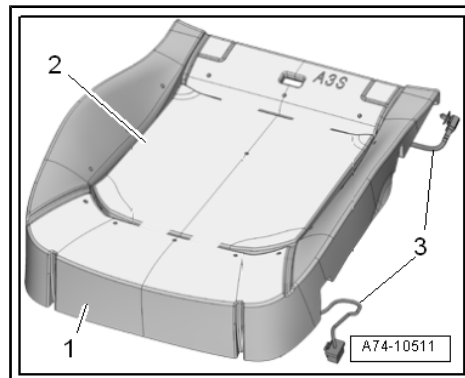
Note

The old heating elements stay on the seat upholstery -1- and are glued over with the new heating elements.

Installing

Installation is carried out in the reverse order. When installing, observe the following:

- Pull the electric cable -3- through the cable guide.
- Align the new heating elements on the seat upholstery, but do not pull off the protective foils.
- Pull the protective foils off the heating elements one after the other, ensuring you do not damage the heating elements.
- Glue the heating elements to the old heating elements, so that they are aligned and there are no kinks.
- Lay the connection to the individual heating elements in the gaps in the base.



ŠKODA



1.4 Summary of components - backrest heating element

Removing

- Separate backrest cover and backrest upholstery
⇒ ["1.2 Removing and installing cover and backrest upholstery", page 140](#) .
- Cut off the electric cable -3- at the old heating element -2-.



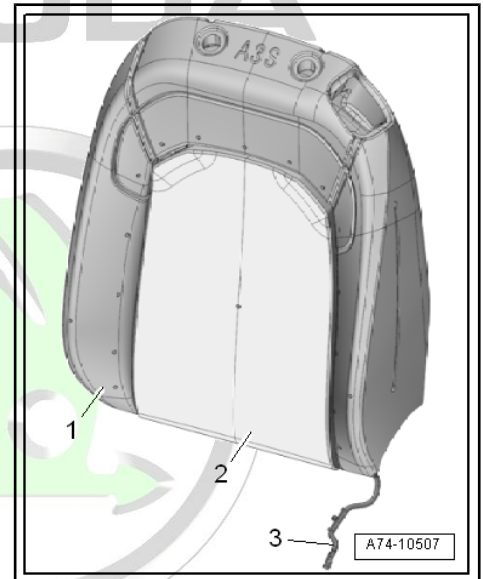
Note

The old heating elements stay on the seat upholstery -1- and are glued over with the new heating elements.

Installing

Installation is carried out in the reverse order. When installing, observe the following:

- Pull the electric cable -3- through the cable guide.
- Align the new heating elements on the backrest upholstery, but do not pull off the protective foils.
- Pull the protective foils off the heating elements one after the other, ensuring you do not damage the heating elements.
- Glue the heating elements to the old heating elements, so that they are aligned and there are no kinks.
- Lay the connection to the individual heating elements in the gaps in the base.





2 Rear covers and seat upholstery

⇒ [“2.1 Removing and installing the cover and the upholstery”, page 146](#)

⇒ [“2.2 Removing and installing the seat heating element”, page 156](#)

⇒ [“2.3 Removing and installing the backrest heating element”, page 156](#)

2.1 Removing and installing the cover and the upholstery

⇒ [“2.1.1 Rear seat backrest cover - 2nd row”, page 146](#)

⇒ [“2.1.2 Removing and installing armrest cover”, page 149](#)

⇒ [“2.1.4 Cover for rear seat bench - 2nd seat row”, page 151](#)

2.1.1 Rear seat backrest cover - 2nd row

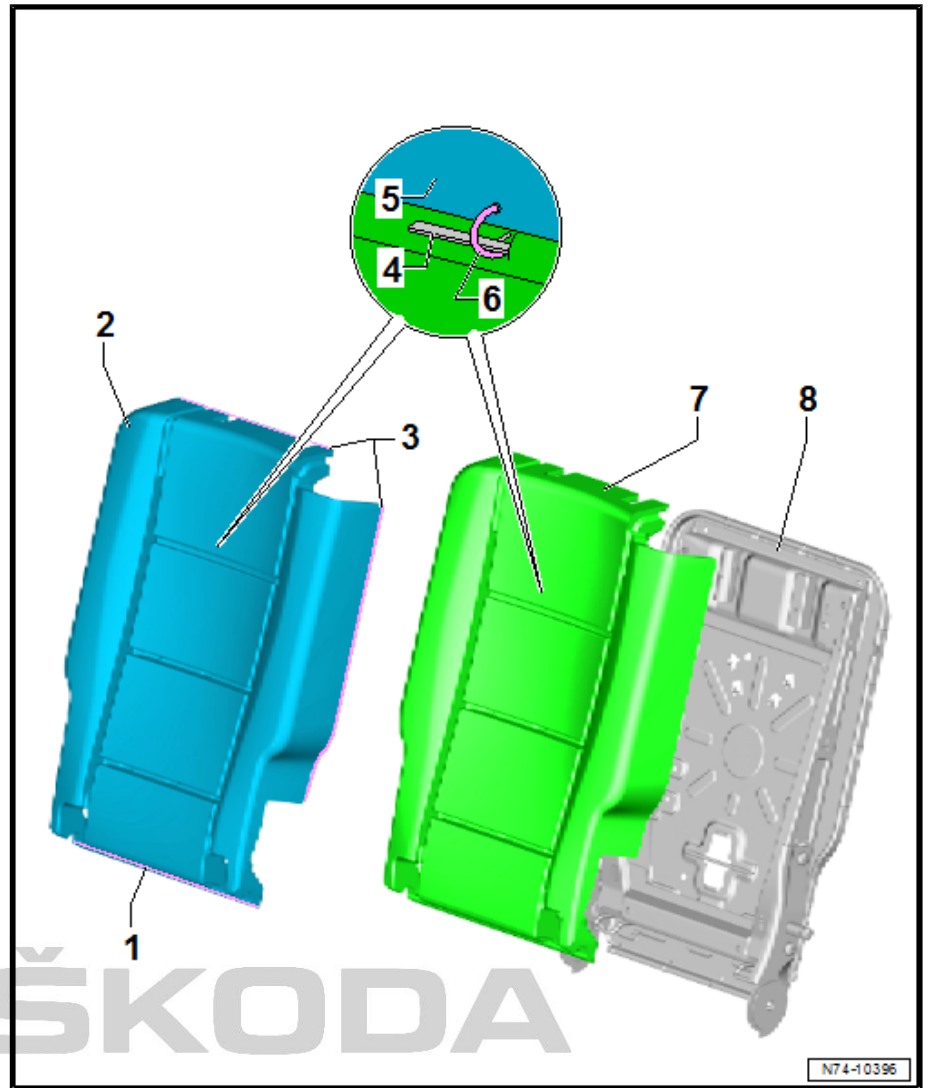
Removing

- Remove rear seat
⇒ [“2.2.1 Removing and installing 2nd seat row”, page 130](#) .
- Remove the seat bench
⇒ [“2.2.1 Removing and installing 2nd seat row”, page 130](#) .
- On the rear of the backrest, slide the double-braided strip -3- of the cover -2- all the way around the frame -8-.

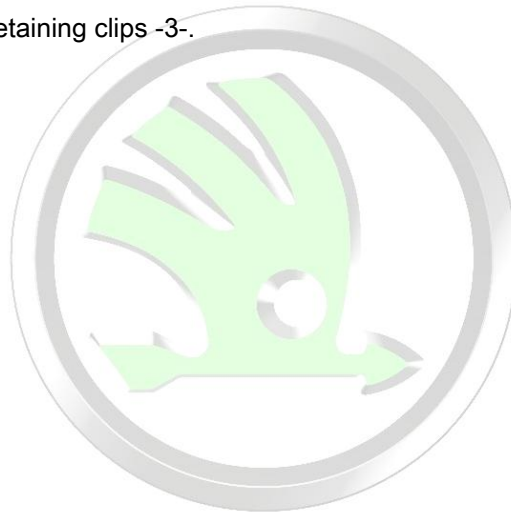
ŠKODA



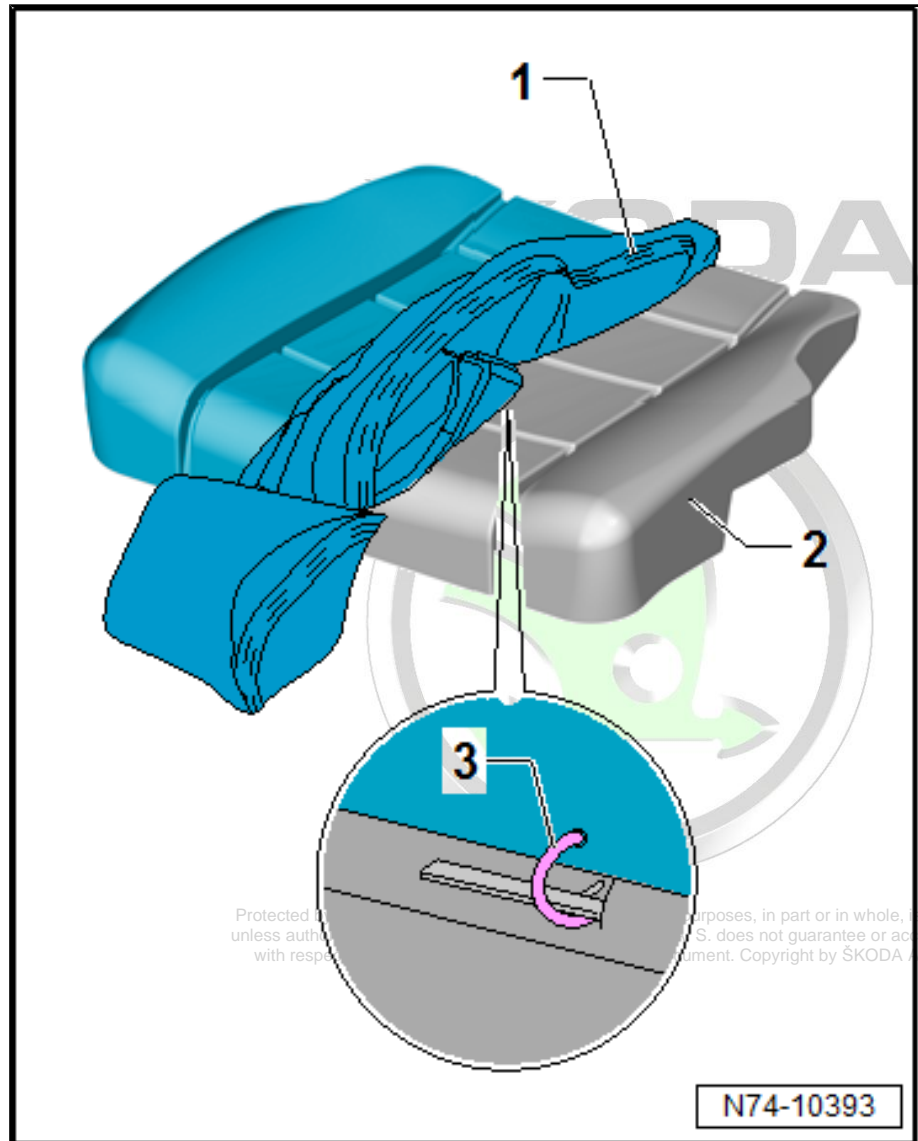
Protected by copyright. Copying for private or commercial purposes, in part or in whole, is not permitted unless authorised by ŠKODA AUTO A. S. ŠKODA AUTO A. S. does not guarantee or accept any liability with respect to the correctness of information in this document. Copyright by ŠKODA AUTO A. S. ©



- Remove all the upholstery retaining clips -3-.



Protected by copyright. Copying for private or commercial purposes, in part or in whole, is not permitted unless authorised by ŠKODA AUTO A. S. ŠKODA AUTO A. S. does not guarantee or accept any liability with respect to the correctness of information in this document. Copyright by ŠKODA AUTO A. S. ©



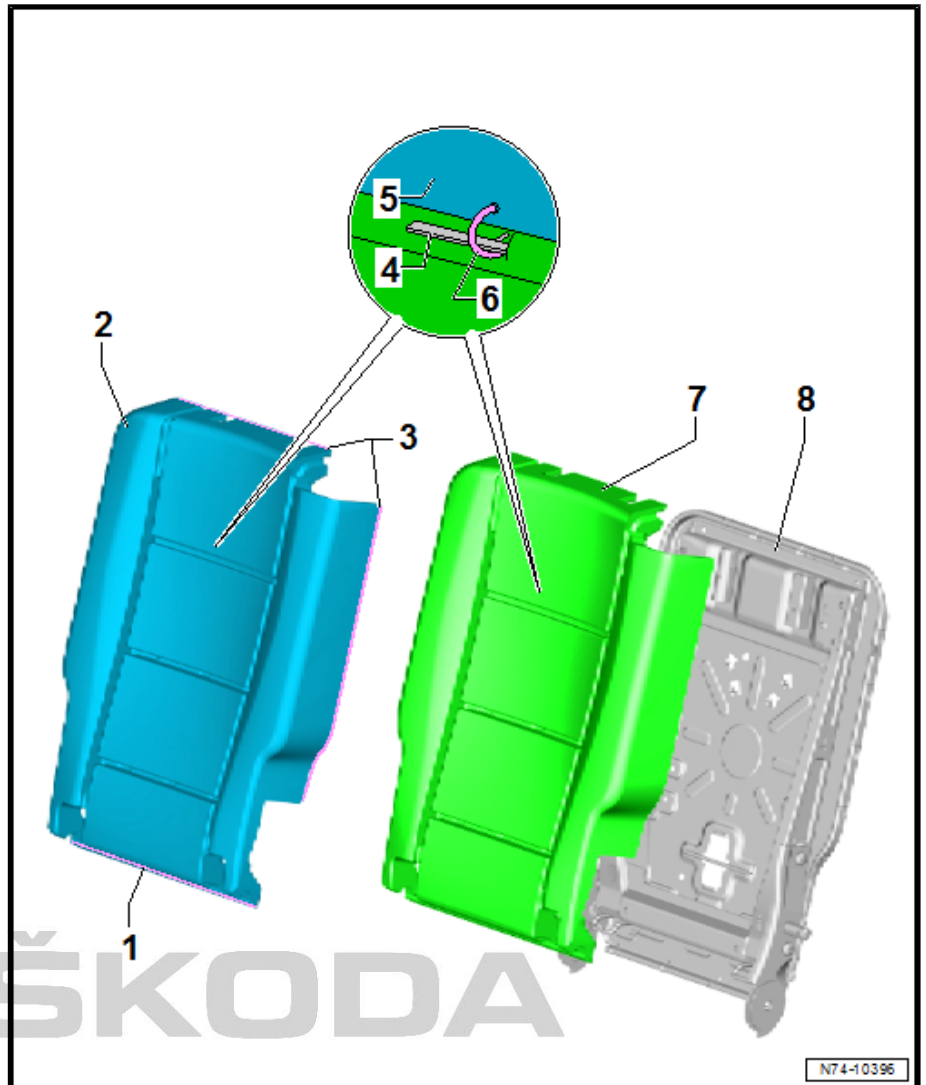
Protected by copyright. All rights reserved. Reproduction, in part or in whole, is not permitted without the written consent of ŠKODA AUTO A. S. ŠKODA AUTO A. S. does not guarantee or accept any liability for the content of this document. Copyright by ŠKODA AUTO A. S. ©

N74-10393

- Remove the cover - 1 - from the upholstery - 2 -.

Installing

- Attach the cover - 2 - with new upholstery retaining clips - 6 - to the upholstery - 7 - using the upholstery clip pliers - V.A.G 1634- .

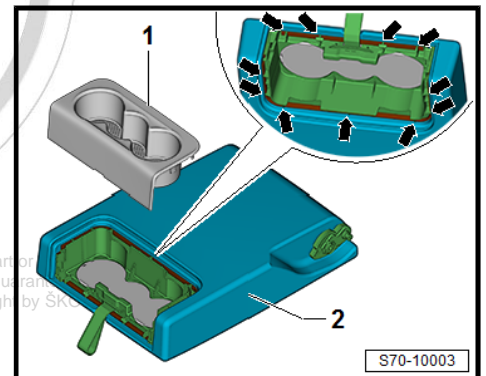


Fit to frame -8- and slide double-braided strip all around the frame.

2.1.2 Removing and installing armrest cover

Removing

- Remove armrest
 ⇒ ["2.2.2 Removing and installing the armrest", page 133](#) .
- Unclip cup holder -1-.
- Slide edges of cover -2- out of the frame -arrows-.



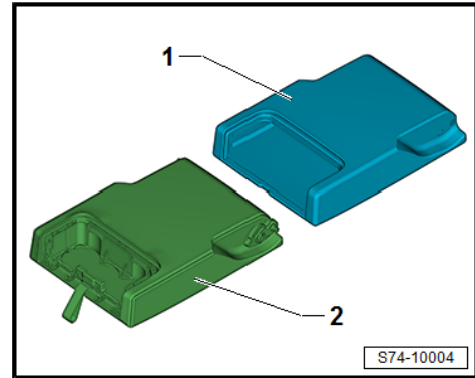
Protected by copyright. Copying for private or commercial purposes, in part or in full, is prohibited unless authorised by ŠKODA AUTO A. S. ŠKODA AUTO A. S. does not guarantee the accuracy of information with respect to the correctness of information in this document. Copyright by ŠKODA AUTO A. S.



- Remove backrest cover from foam section -2-.

Installing

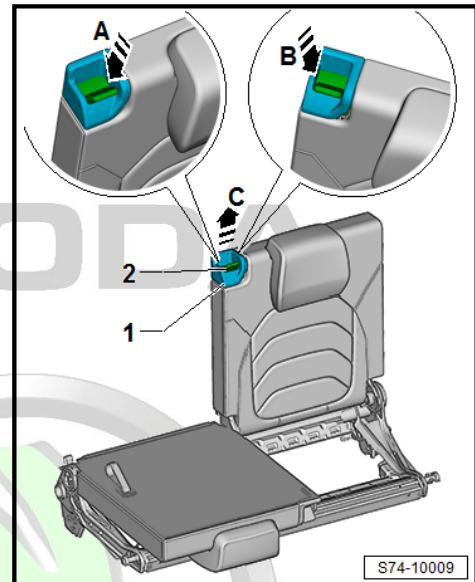
- Installation is carried out in the reverse order.



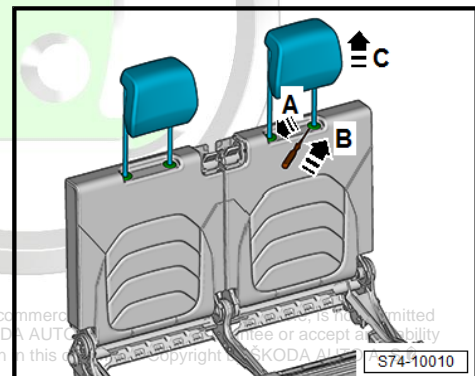
2.1.3 Cover for rear seat backrest - 3rd seat row

Removing

- Remove caps for the backrest tilt-forward mechanism. E.g. slide thin metal strips into area of arrows -A and B- and release the catches.
- Swivel out the caps and pull up and out -arrow C-.
- Release headrest -arrow- and pull up and out.
- Unlock locking button under the guide e.g. with a screwdriver -arrow B-.



- Pull headrest out of the backrest in direction of arrow -C-.

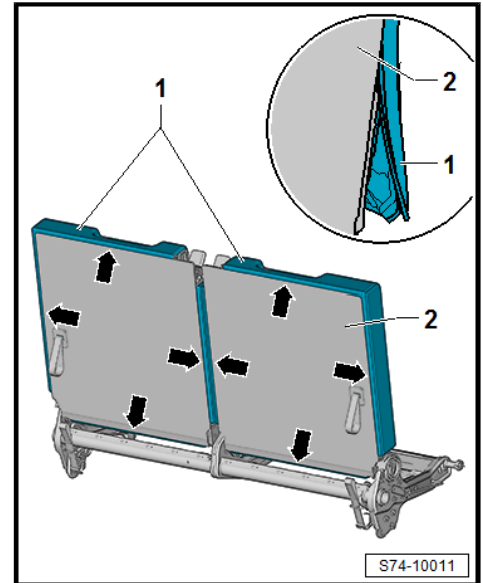


Protected by copyright. Copying for private or commercial use is not permitted unless authorised by ŠKODA AUTO A. S. ŠKODA AUTO does not assume any liability with respect to the correctness of information in this document. Copyright © ŠKODA AUTO

- Slide the backrest cover in stages around the circumference out of the frame -arrows-.
- Remove cover from backrest.

Installing

- Installation is carried out in the reverse order.



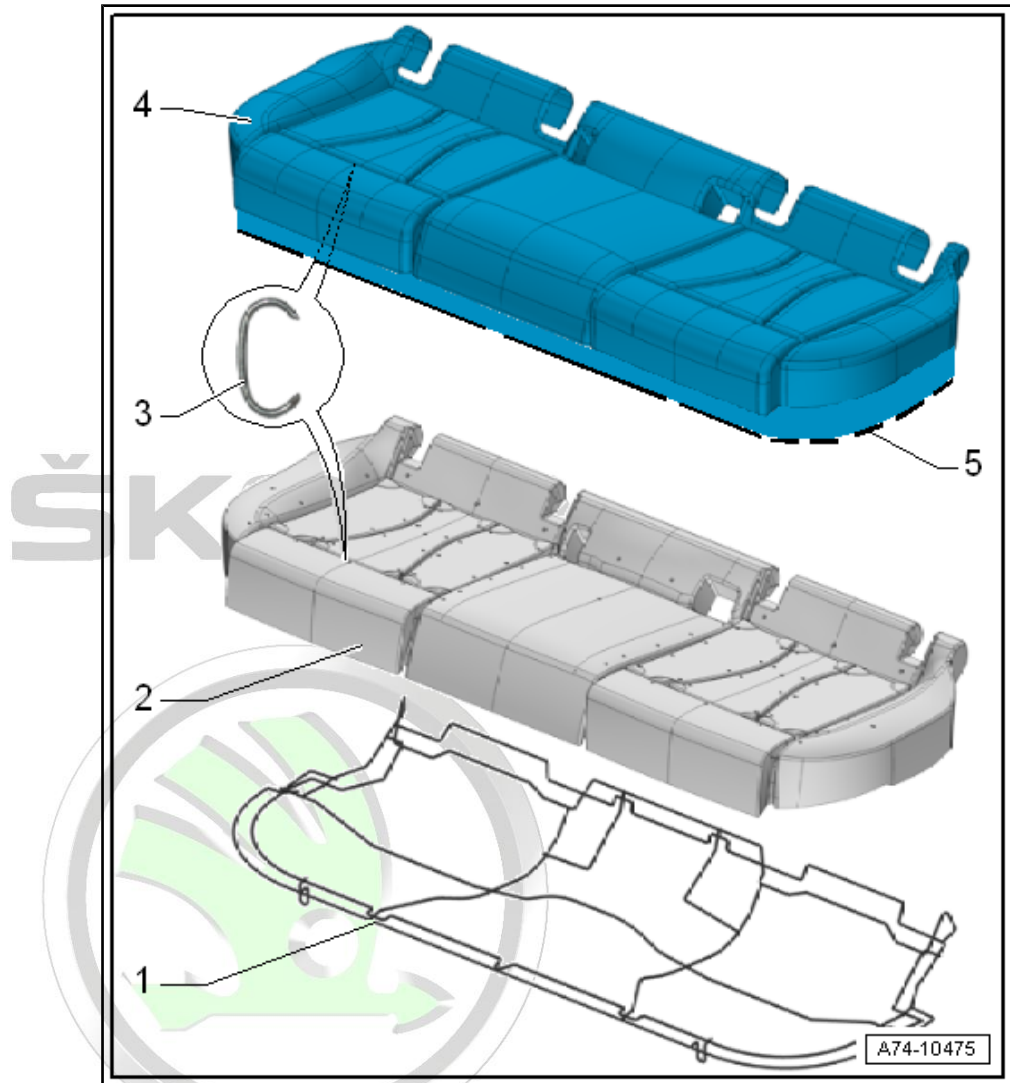
2.1.4 Cover for rear seat bench - 2nd seat row

- Remove the seat bench -4-
⇒ ["2.2 Removing and installing the rear seat bench / individual seats", page 130](#) .
- Disconnect all the upholstery clips -3- around the circumference -5- on the bottom of the frame -1-.

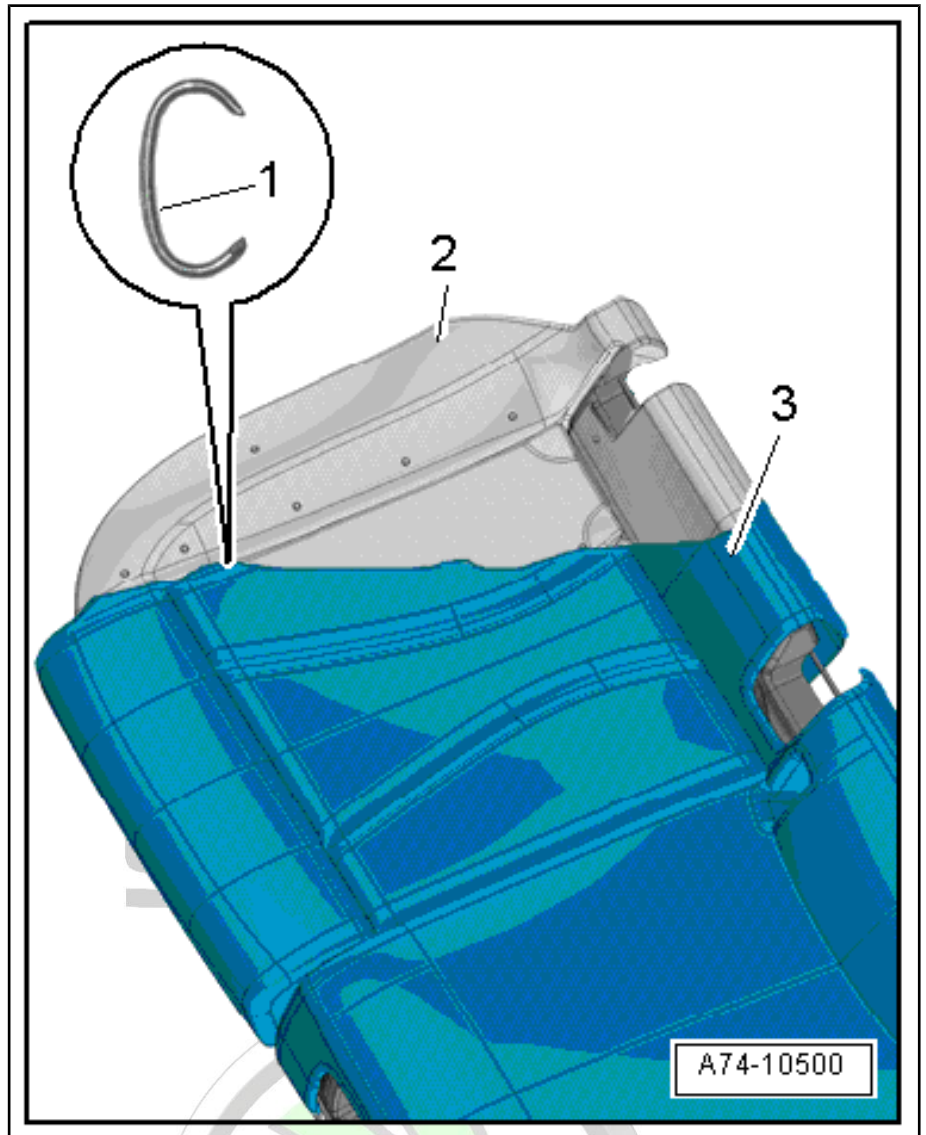
ŠKODA



Protected by copyright. Copying for private or commercial purposes, in part or in whole, is not permitted unless authorised by ŠKODA AUTO A. S. ŠKODA AUTO A. S. does not guarantee or accept any liability with respect to the correctness of information in this document. Copyright by ŠKODA AUTO A. S.



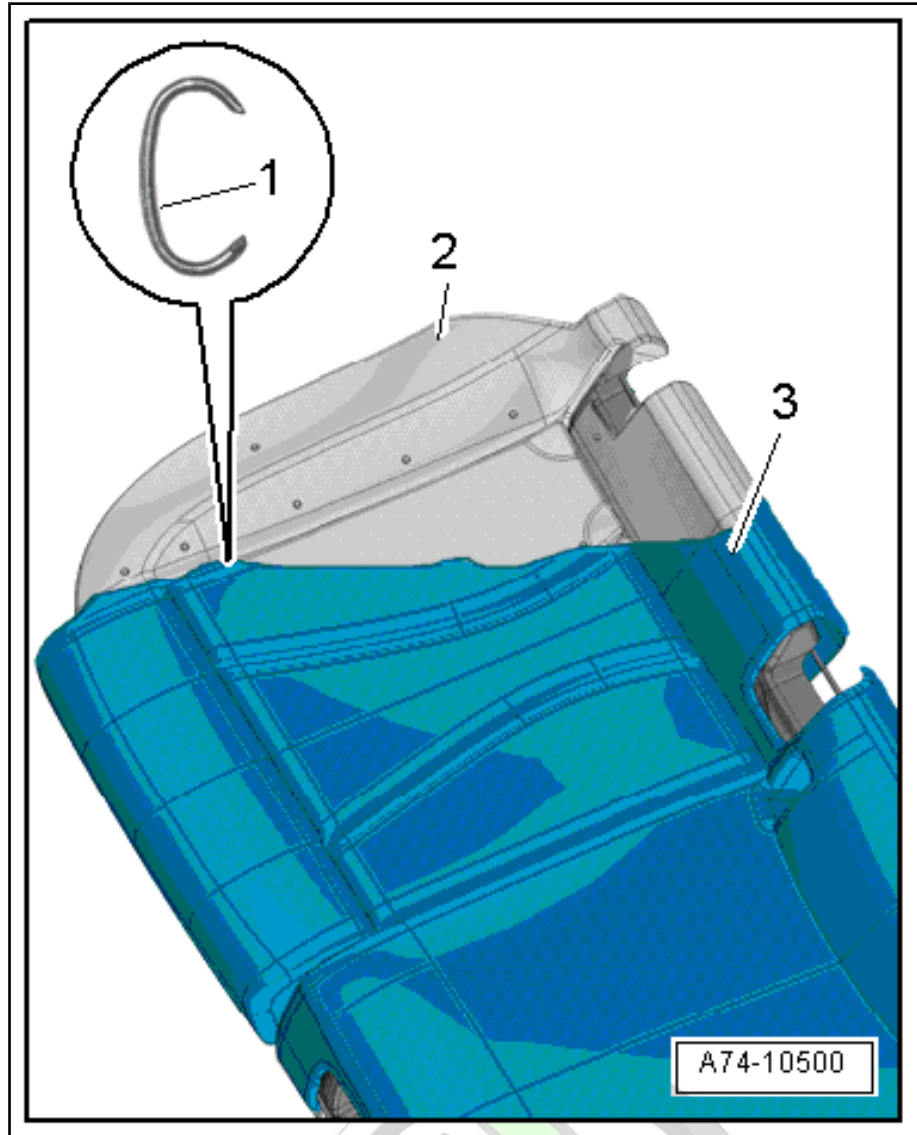
- Roll up the cover -3- all around.
- Remove all the upholstery retaining clips -1-.
- Remove the cover - 3 - from the upholstery - 2 -.



Installing

- Attach the cover - 3 - with new upholstery retaining clips - 1 - to the upholstery - 2 - using the upholstery clip pliers - V.A.G 1634- .

Protected by copyright. Copying for private or commercial purposes, in part or in whole, is not permitted unless authorised by ŠKODA AUTO A. S. ŠKODA AUTO A. S. does not guarantee or accept any liability with respect to the correctness of information in this document. Copyright by ŠKODA AUTO A. S. ©

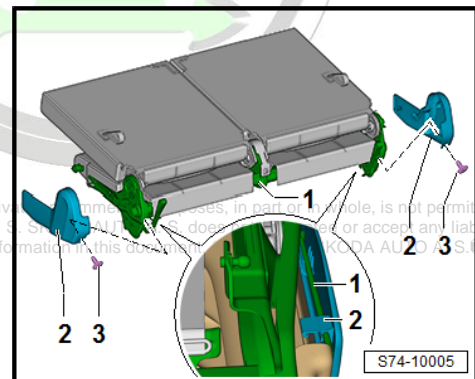


- Further installation occurs in reverse order.

2.1.5 Cover for rear seat bench - 3rd seat row

Removing

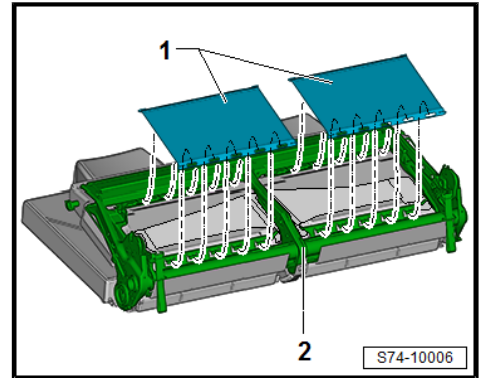
- Remove plastic rivet - 3 -.
- Remove side trim panels -2- from frame -1-.



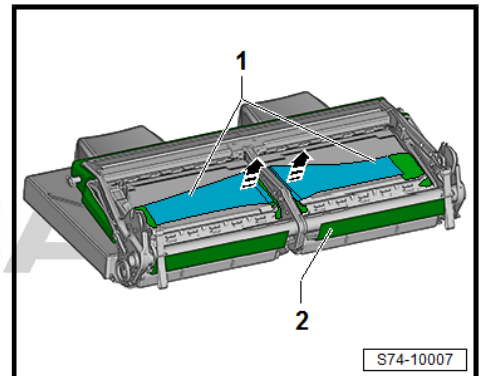
Protected by copyright. Copying for private use, in part or in whole, is not permitted unless authorised by ŠKODA AUTO A.S. ŠKODA AUTO A.S. does not accept any liability with respect to the correctness of information in this document. ŠKODA AUTO A.S.



- Remove spring trims -1- from frame -2-.



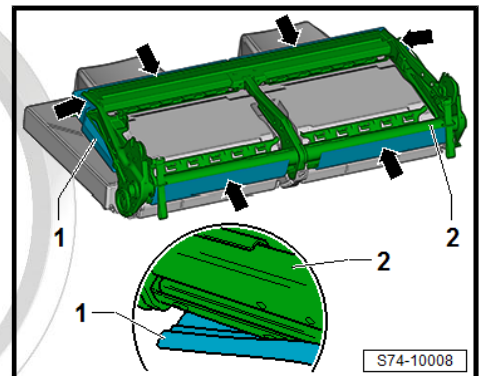
- Open Velcro fastener -1- of seat bench cover -2-.



- Slide the seat bench cover -1- in stages around the circumference out of the frame -2-.
- Remove cover from seat bench.

Installing

- Installation is carried out in the reverse order.



Protected by copyright. Copying for private or commercial purposes, in part or in whole, is not permitted unless authorised by ŠKODA AUTO A. S. ŠKODA AUTO A. S. does not guarantee or accept any liability with respect to the correctness of information in this document. Copyright by ŠKODA AUTO A. S. ©



2.2 Removing and installing the seat heating element

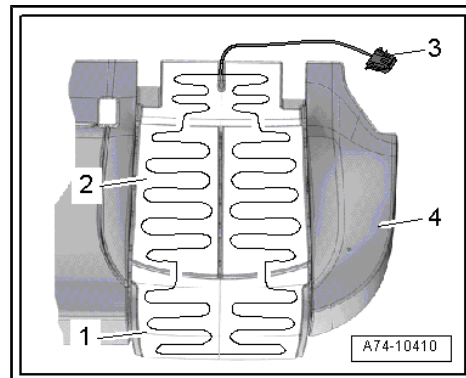
Removing

- Separate cover and seat upholstery of the seat row
⇒ ["2.1 Removing and installing the cover and the upholstery", page 146](#).
- Disconnect the electric cable -3- directly at the old heating element -2-.



Note

The old heating element stays on the seat upholstery and is glued over with the new heating element.



Installing

- Align the new heating elements on the seat upholstery.
- Pull the protective foils off the heating element one after the other, ensuring you do not damage the heating element.
- Glue the heating element to the old heating element, so that they are aligned, in sequence -2- then -1- and glue on so that there are no kinks.
- Lay the connecting line to the heating element in the gaps in the base.
- Further installation occurs in reverse order.

2.3 Removing and installing the backrest heating element

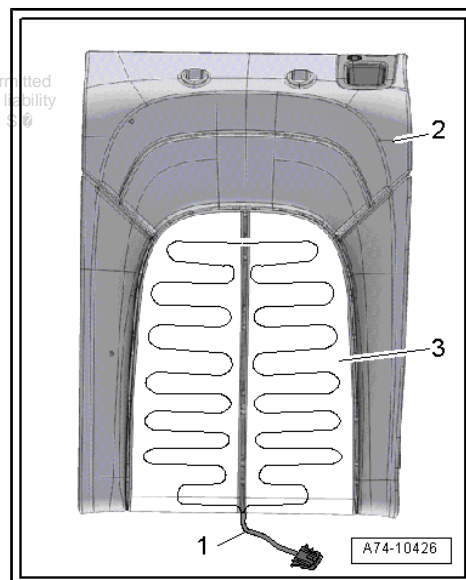
Removing

- Separate cover and backrest upholstery at rear
⇒ ["2.1 Removing and installing the cover and the upholstery", page 146](#).
- Cut off the electric cable -1- directly at the old heating element -3-.



Note

The old heating element stays on the backrest upholstery -2- and is glued over with the new heating element.



Installing

- Align the new heating element on the backrest upholstery.
- Pull the protective foils off the heating element, ensuring you do not damage the heating element.
- Glue the heating element to the old heating element and glue on so that there are no kinks.
- Further installation occurs in reverse order.